

## Features

- Decorated with a Chinese-inspired metallic floral pattern on White background.
- One-piece toilets integrate the tank and bowl into a seamless, easy-to-clean design.
- Compact elongated bowl offers added comfort while occupying the same space as a round bowl.
- Two-button flush offers a choice of 1.6 or 0.8 gallons per flush (gpf).
- Skirted trapway simplifies cleaning.
- Quiet-Close™ prevents slamming by slowly bringing the toilet seat and lid to a gentle close.
- Coordinates with other products with the Empress Bouquet design.

## Technology

- Dual-flush technology allows you to choose between a full- or half-flush.

## Installation

- Standard 12-inch rough-in.

## Water Conservation & Rebates

- WaterSense® toilets meet strict EPA flushing guidelines, including using at least 20 percent less water than 1.6-gallon toilets.
- This product can help a building earn Water Efficiency points in the LEED® Green Building Rating System.

## Optional Accessories

K-7637 Angle Supply with Stop (single)  
K-9384 Dual-flush Actuator

## Components

Additional included component/s: Seat, Tank Cover, and Dual Flush Push Button.



## Codes/Standards

ASME A112.19.2/CSA B45.1  
ASME A112.19.14  
DOE - Energy Policy Act 1992

## KOHLER® One-Year Limited Warranty

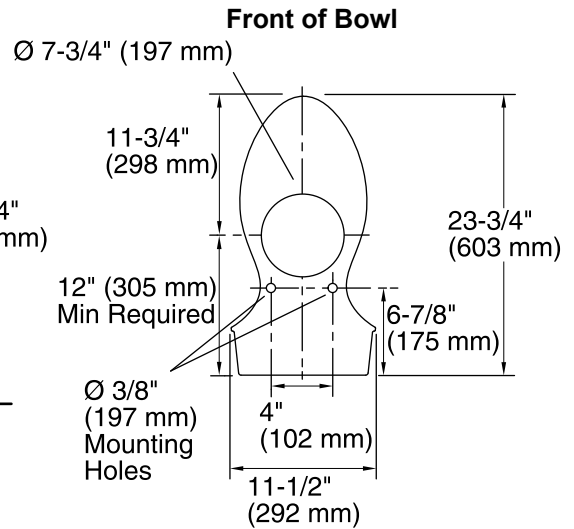
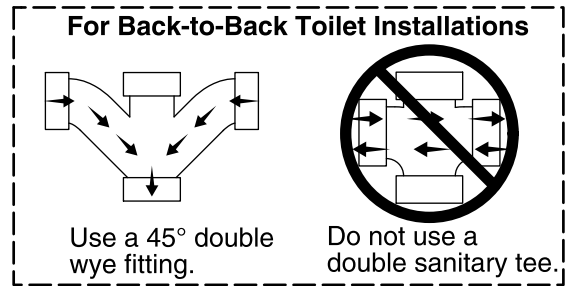
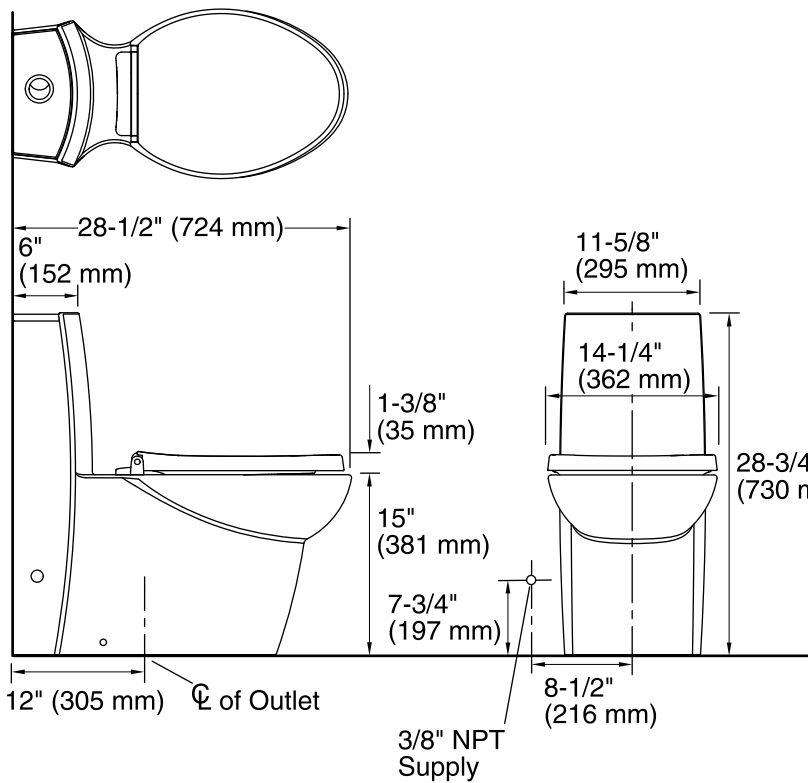
See website for detailed warranty information.

## Available Color/Finishes

*Color tiles intended for reference only.*

Color	Code	Description
-------	------	-------------

	0	White
--	---	-------



## Technical Information

All product dimensions are nominal.

Toilet type:	One-piece
Bowl shape:	Elongated front
Seat hinge type:	Quiet-Close™, Quick-Release™
Trap passageway:	2-1/8" (54 mm)
Water surface size:	4-1/8" x 5-1/8" (105 mm x 130 mm)
Rough-in:	12" (305 mm)
Seat-mounting holes:	5-1/2" (140 mm)

## Notes

Install this product according to the installation instructions.

For back-to-back toilet installations: Use only a 45° double wye fitting.