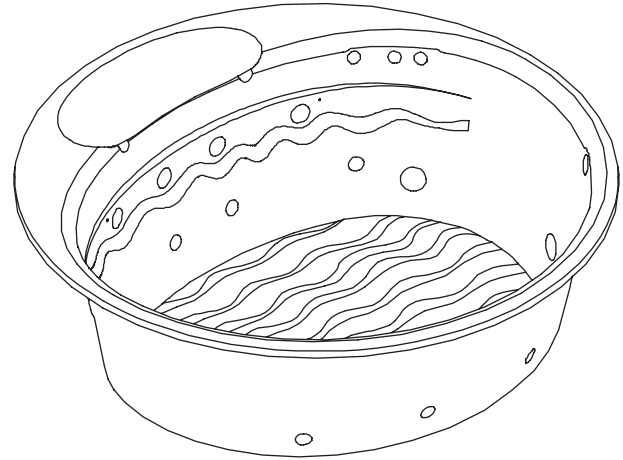


### BATH WHIRLPOOL K-1399-H2 ALSO K-1399-H3

#### Features

- Acrylic
- Waterfall
- UL listed
- Less all trim
- Two variable speed pumps with back-lit user control and remote control
- 4 kW heater (on separate electrical service)
- 8 Flexjets™
- 4 Riverjets
- 4 chromatherapy lights (H2 model only)
- Air aspiration "On/Off" feature
- One large pillow and three small pillows
- 75" (190.5 cm) D. x 25" (63.5 cm) high (27-1/2" (69.9 cm) high with pillow)



#### Codes/Standards Applicable

Specified model meets or exceeds the following:

- ANSI Z124.1.2
- ASME A112.19.7M
- UL 1795

#### Colors/Finishes

- 0: White
- Other: Refer to Price Book for additional colors/finishes

#### Accessories

- CP: Polished Chrome
- PB: Vibrant® Polished Brass
- Other: Refer to Price Book for additional colors/finishes

#### Specified Model

Model	Description	Colors/Finishes		
K-1399-H2	Bath whirlpool with chromatherapy lights	<input type="checkbox"/> 0	<input type="checkbox"/> Other_____	
K-1399-H3	Bath whirlpool less chromatherapy lights	<input type="checkbox"/> 0	<input type="checkbox"/> Other_____	
<b>Required Accessories</b>				
K-9398	Flexjet™ trim kit	<input type="checkbox"/> CP	<input type="checkbox"/> PB	<input type="checkbox"/> Other_____
<b>Recommended Accessories</b>				
K-7167	Clearflo pop-up bath drain	<input type="checkbox"/> CP	<input type="checkbox"/> PB	<input type="checkbox"/> Other_____

#### Product Specification

The acrylic bath whirlpool shall be 75" (190.5 cm) in diameter, and 25" (63.5 cm) in height [27-1/2" (69.9 cm) in height with pillow]. Product shall have 8 Flexjets, 4 Riverjets, and 4 chromatherapy lights (H2 model only). Product shall have waterfall, 4 kW heater, two variable speed pumps with back-lit user control and remote control. Product shall be UL listed and less all trim. Product shall have air aspiration "On/Off" feature, one large pillow and three small pillows. Product shall be Kohler Model K-1399-\_\_\_\_\_-\_\_\_\_\_.

# RIVERBATH®

## Technical Information

Fixture*:	
Bathing well:	
Basin area, bottom	61" (154.9 cm) x 46" (116.8 cm)
Basin area, top	68" (172.7 cm) x 58" (147.3 cm)
Weight	260 lbs (118 kg)
To overflow:	
Water depth	20" (50.8 cm)
Capacity	215 gal (813.9 L)
* Approximate measurements for comparison only.	

Pump: (Qty. 2)	V	Hz	A
Variable speed:	240	50/60	18

Included components:	
Cut-out template, top (drop-in)	1000554-7
Cut-out template, bottom (drop-in)	1000555-7
Cut-out template, top (flush-mount)	1000556-7
Cut-out template, bottom (flush-mount)	1000557-7

## Required Electrical Service

Dedicated circuit required, protected with Class A Ground-Fault Circuit-Interrupter (GFCI) or Residual Current Device (RCD):

Pump/control	220-240 V, 20 A, 50/60 Hz
Heater	220-240 V, 20 A, 50/60 Hz, 4 kW

## Installation Notes

Install this product according to the installation guide.

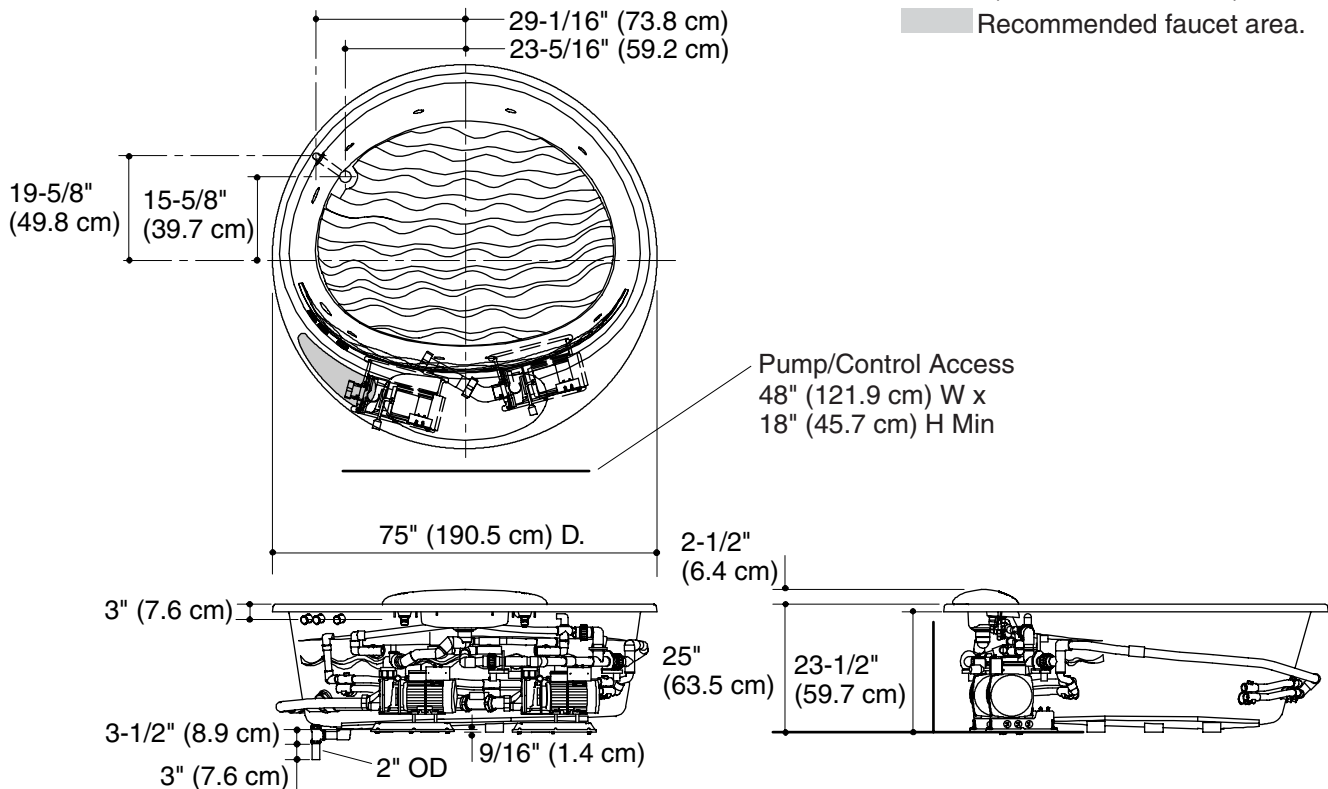
Floor support under whirlpool must provide for a minimum of 54 lbs/square foot (264 kg/square meter) loading.

Hot water supply should be 70% of capacity or greater. Installations will vary.

If installing a rim-mount faucet, make sure there is no interference with drain overflow and circulating system before drilling any holes. Consult local and national codes for minimum air gap requirements if installing a spout on the faucet deck.

No change in measurements with drain shown. (K-7167 or K-7167M)

Recommended faucet area.



## Product Diagram