

### Product Information

Applicable product:	
Bath whirlpool – drop-in	K-1257
Bath whirlpool – 3-side integral flange, left drain	K-1257-L
Bath whirlpool – 3-side integral flange, right drain	K-1257-R

Fixture*:	
Bathing well:	
Basin area, bottom	50" (127 cm) x 24" (61 cm)
Basin area, top	65" (165.1 cm) x 27" (68.6 cm)
Weight	110 lbs (50 kg)
To overflow:	
Water depth	14" (35.6 cm)
Capacity	72 gal (272.5 L)
* Approximate measurements for comparison only.	

Drop-in cut-out	70" (177.8 cm) x 34" (86.4 cm)
-----------------	--------------------------------

Pump:	V	Hz	A
1-speed	120	60	7.5

Minimum access panel for pump/control	
20" (50.8 cm) W x 15" (38.1 cm) H	required

### Required Electrical Service

Dedicated circuit required, protected with Class A Ground-Fault Circuit-Interrupter (GFCI):	
Pump/control	120 VAC, 15 A, 60 Hz
Locate the outlet behind the whirlpool and within 24" (61 cm) of the pump.	

### Installation Notes

Install this product according to the installation guide.

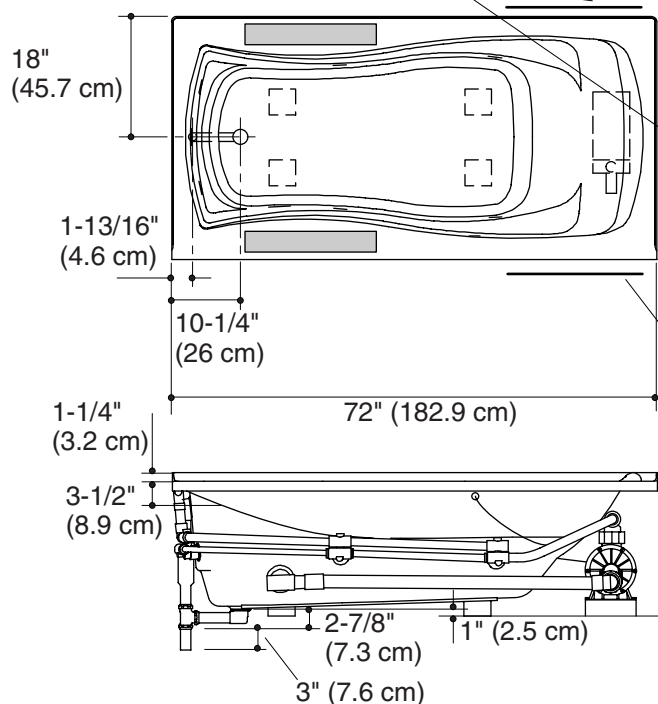
Floor support under whirlpool must provide for a minimum of 41 lbs/square foot (200 kg/square meter) loading.

The apron must be installed before the finished floor and wall materials are installed.

If installing a rim-mount faucet, make sure there is no interference with drain overflow and circulating system before drilling any holes. Consult local and national codes for minimum air gap requirements if installing a spout on the faucet deck.

Fixture conforms to ANSI Standard Z124.1.2. All dimensions are nominal.

Pump/Control Access (If Apron Is Not Used):  
20" (50.8 cm) W x 15" (38.1 cm) H



No change in measurements if connected with drain illustrated. (K-11677 or K-11677M)

Recommended Faucet Area

