



Features

- Center drain.
- Integral lumbar support.
- Textured bottom surface.
- 60" (1524 mm) x 42" (1067 mm) x 20" (508 mm)

Material

- Vikrell®

Hydrotherapy

- Single-speed whirlpool offers four fully adjustable hydro-massage jets for water flow and direction.
- Pump with air switch for whirlpool.
- Multiple pump location options give you more choices for installation and access.



Installation

- Drop-in

Required Accessories

K-7161-AF Bath Drain

or

K-7213 27" Cable Bath Drain

or

K-7214 27" Cable Bath Drain

Recommended Accessories

K-1278 Removable Apron

K-9694 4-Jet Trim Kit

K-1601 Bath/Whirlpool Footstop

K-37382 45" Rough-in Cable Bath Drain

Codes/Standards

ASME A112.19.7/CSA B45.10

CSA B45.5/IAPMO Z124

ASTM E162

ASTM E662

UL 1795

Greenguard UL 2818 - Gold

CARB P2




KOHLER® One-Year Limited Warranty

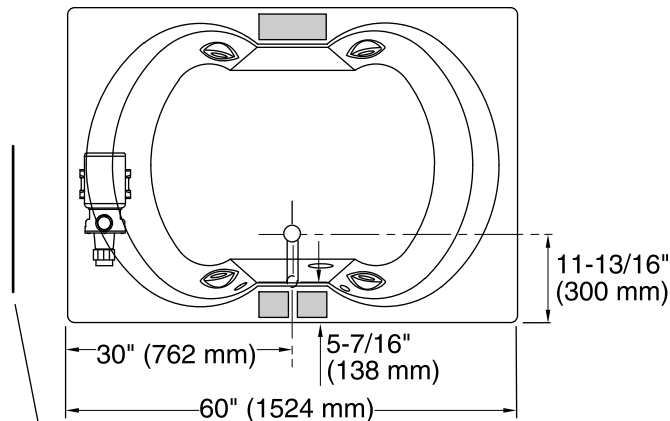
See website for detailed warranty information.

Available Color/Finishes

Color tiles intended for reference only.

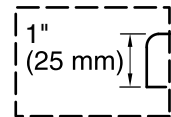
Color	Code	Description
-------	------	-------------

	0	White
	96	Biscuit
	47	Almond



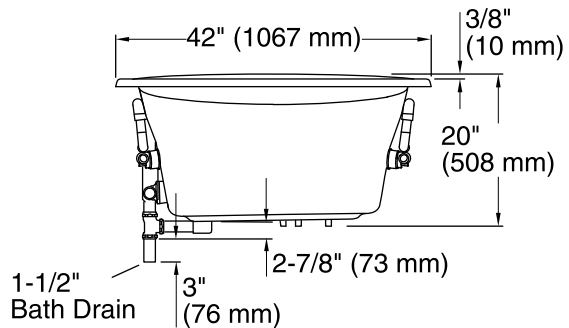
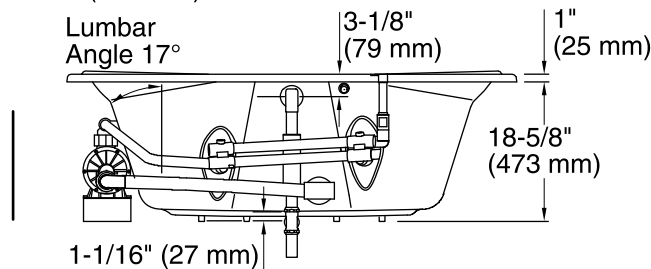
No change in measurements if connected with drain illustrated. (K-7161-AF)

■ Recommended Faucet Area



Drop-in Rim Detail

Pump/Control Access
20" (508 mm) W x
15" (381 mm) H



Required Electrical Service

One dedicated circuit required, protected with Class A Ground-Fault Circuit-Interrupter (GFCI) or Residual Current Device (RCD).

Pump: 120 V, 15 A, 60 Hz

Technical Information

All product dimensions are nominal.

Installation:	Drop-in
Drain location:	Center
Basin area, bottom:	37" x 26" (940 mm x 660 mm)
Basin area, top:	54" x 37" (1372 mm x 940 mm)
Weight:	89 lbs (40.4 kg)
Minimum floor load:	39 lbs/ft ² (190.4 kg/m ²)
Water depth:	14-1/4" (362 mm)
Water capacity:	69 gal (261.2 L)
Cutout:	Drop-in, 58-1/2" x 40-1/2" (1486 mm x 1029 mm)
Electrical component rating:	Pump: 120 V, 7.5 A, 60 Hz
Pump speed:	Single

Notes

Measure your actual product for rough-in details.

Install this product according to the installation instructions.

The hot water supply should be 70% of the capacity of the bath or greater. Installations will vary.

Provide one grounded electrical outlet within 24" (610 mm) of each component.

If installing a rim-mount faucet, make sure there is no interference with drain overflow before drilling any holes. Consult local and national codes for minimum air gap requirements if installing a spout on the faucet deck.

NOTICE: This bath whirlpool is designed for bathing only. It is not designed to be used in a three-wall alcove with an overhead shower.

Pump must be relocated to custom position at the time of installation. Provide adequate clearance.