

FEATURES

- 57" (144.8cm) x 36-5/8" (93cm) x 80-1/2" (204.5cm) inside finished dimensions
- ADA compliant
- 64-3/4" (164.5cm) x 37" (94cm) x 84" (213.4cm) rough-in dimensions
- Acrylic
- Left or right drain
- 1.5 hp variable speed pump with 1.5 kW heater, and back-lit user control
- 6 Flexjets
- UL Listed
- LESS ALL TRIM
- Integral soap ledge
- Nylon grab bars (-N), grey bars supplied with White and Biscuit modules, white bars supplied with others
- Brushed stainless steel grab bars (-C)
- Polished stainless steel grab bars (-P)
- Removable, multi-position seat
- Molded-in floor pattern

CODES/STANDARDS APPLICABLE

Specified model meets or exceeds the following:

- ANSI Z124.1
- ADA
- CABO/ANSI A117.1
- IAPMO/UPC
- Underwriters Laboratories (UL)

SPECIFIED MODEL:

Model	Description	Module Colors/Finishes	
K-12105-N	Module with drain at left (nylon grab bars)	<input type="checkbox"/> 0 White	<input type="checkbox"/> Other_____
K-12105-C	Module with drain at left (brushed stainless steel grab bars)	<input type="checkbox"/> 0 White	<input type="checkbox"/> Other_____
K-12105-P	Module with drain at left (polished stainless steel grab bars)	<input type="checkbox"/> 0 White	<input type="checkbox"/> Other_____
K-12106-N	Module with drain at right (nylon grab bars)	<input type="checkbox"/> 0 White	<input type="checkbox"/> Other_____
K-12106-C	Module with drain at right (brushed stainless steel grab bars)	<input type="checkbox"/> 0 White	<input type="checkbox"/> Other_____
K-12106-P	Module with drain at right (polished stainless steel grab bars)	<input type="checkbox"/> 0 White	<input type="checkbox"/> Other_____

Required Accessories			
K-9696	Jet trim kit	<input type="checkbox"/> CP	<input type="checkbox"/> PB <input type="checkbox"/> Other_____
Recommended Accessories			
K-7161-AF	Drain	<input type="checkbox"/> CP	<input type="checkbox"/> PB <input type="checkbox"/> Other_____

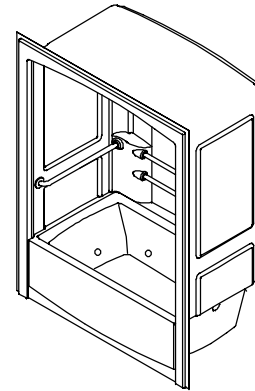
Optional Accessories on Page 2

PRODUCT SPECIFICATION:

The whirlpool and shower module inside finished dimensions shall be 57" (144.8cm) in length, 36-5/8" (93cm) in width, and 80-1/2" (204.5cm) in height. Module shall be ADA compliant. Module rough-in dimensions shall be 64-3/4" (164.5cm) in length, 37" (94cm) in width, and 84" (213.4cm) in height. Module shall be made of acrylic. Module shall have a drain left or right. Module shall have 6 Flexjets, 1.5 hp variable speed pump, 1.5 kW heater, and back-lit user control. Module shall be UL Listed. Module shall be less all trim. Module shall have integral soap ledges. Module shall have nylon grab bars (-N), (grey bars supplied with White and Biscuit modules, white bars supplied with others), brushed stainless steel grab bars (-C), or polished stainless steel grab bars (-P). Module shall have a removable, multi-position seat. Module shall have a molded-in floor pattern. Module shall be Kohler Model K-_____ -_____ -_____.

WHIRLPOOL AND SHOWER MODULE

K-12105-C/-N/-P, K-12106-C/-N/-P



ADA

COLORS/FINISHES

- 0 White with grey seat
- 96 Biscuit with grey seat
- Other With white seat, refer to Fixtures Price Book for additional colors

Accessories:

- CP Polished Chrome
- PB Polished Brass
- SH Bright Silver
- BH Bright Brass
- 0 White
- Other Refer to Price Book for additional finishes
- NA None Applicable

FREEWILL™

Optional Accessories

K-1665	Dome Light	<input type="checkbox"/> CP	<input type="checkbox"/> PB	<input type="checkbox"/> Other_____
K-1703	Remote control	<input type="checkbox"/> NA		
K-701016	Focal bypass bath door* OR	<input type="checkbox"/> SH	<input type="checkbox"/> BH	<input type="checkbox"/> 0 White
K-704216	Senza™ bypass bath door* OR	<input type="checkbox"/> SH	<input type="checkbox"/> BH	<input type="checkbox"/> 0 White
K-703018	Forum™ bypass bath door*	<input type="checkbox"/> SH	<input type="checkbox"/> BH	<input type="checkbox"/> 0 White

* Refer to Fixtures Price Book for glass options.

PRODUCT INFORMATION

ADA compliant				
Fixture*:	basin area	top area	weight	
Bathing well	44" (111.8cm) x 23" (58.4cm)	51" (129.5cm) x 26" (66cm)	275 lbs. (124.7kg)	
	water depth	capacity		
To overflow	13" (33cm)	55 gal. (208.2L)		
Configuration			1-piece	
Drain Outlet			2-1/4" (5.7cm) D.	
* Approximate measurements for comparison only.				
Pump	Heater	Voltage	Frequency	Amperage
1.5 HP	1.5 kW	240 V	50/60 Hz	11 A

REQUIRED ELECTRICAL SERVICE

Dedicated circuit required, protected with Class A Ground-Fault Circuit-Interrupter (GFCI) or Earth-Leakage Circuit-Breaker (ELCB):	
Pump/control	220/240 V, 20 A, 50/60 Hz

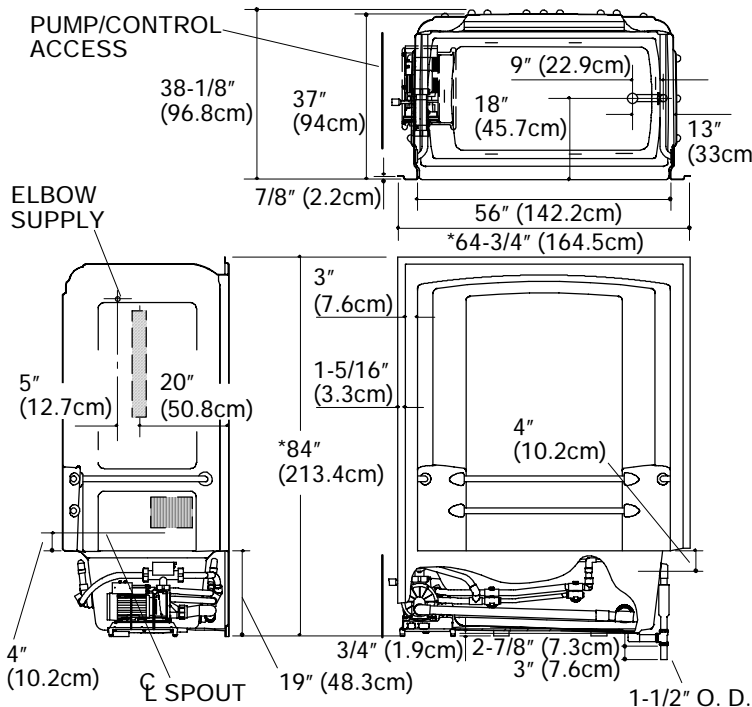
INSTALLATION NOTES

Install this product according to the installation guide.

Fixture not drilled for supply fittings.

Shimming may be required to level fixture.

For optimum accessibility, specify faucets and fittings to install and operate within the control area shown.



*Recess opening must be 65" (165.1cm) x 84-1/4" (214cm).		
No change in measurements if connected with drain illustrated. (K-7161-AF or K-7161M-AF)		
Minimum access panel:		
Pump/control	34" (86.4cm) W x 15" (38.1cm) H	required
Stud opening tolerance (+ 1/4"/6.4mm - 0"). When fire rated wall is specified, dimensions are to the inside of the wall board. Some shimming between stud frame and fixture may be required.		
Provide clear floor space per ANSI A117.1, and as shown.		
	Represents control area for faucets.	
	Represents 24" (61cm) wall mount slide bar.	
	Represents clear floor space for 36" (91.4cm) x 60" (152.4cm) side entrance.	
	Represents clear floor space for 48" (121.9cm) x 60" (152.4cm) front entrance.	

PRODUCT DIAGRAM