



### Features

- Integral flange.
- Right drain.
- Integral lumbar support and armrests for comfort.
- Textured bottom surface.
- 60" (1524 mm) x 32" (813 mm) x 20" (508 mm)

### Material

- Acrylic

### Hydrotherapy

- Single-speed whirlpool offers 4 fully adjustable hydro-massage jets for water flow and direction.
- Pump with air switch for whirlpool.
- Built-in 1500 W heater.

### Installation

- Alcove

### Recommended Accessories

- K-7161-AF Bath Drain
- K-9694 4-Jet Trim Kit
- K-24916 Wireless Music Kit
- K-1601 Bath/Whirlpool Footstop
- K-7213 27" Cable Bath Drain
- K-7214 27" Cable Bath Drain
- K-7259 Clearflo Bath Drain
- K-702200-G54 Frameless Sliding Bath Door
- K-702200-G73 Frameless Sliding Bath Door
- K-702200-L Frameless Sliding Bath Door
- K-702205-L Frameless Sliding Bath Door



### Codes/Standards

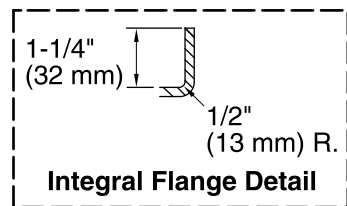
- ASME A112.19.7/CSA B45.10
- CSA B45.5/IAPMO Z124
- ASTM E162
- ASTM E662
- UL 1795
- Greenguard UL 2818 - Gold
- CARB P2

### KOHLER® One-Year Limited Warranty

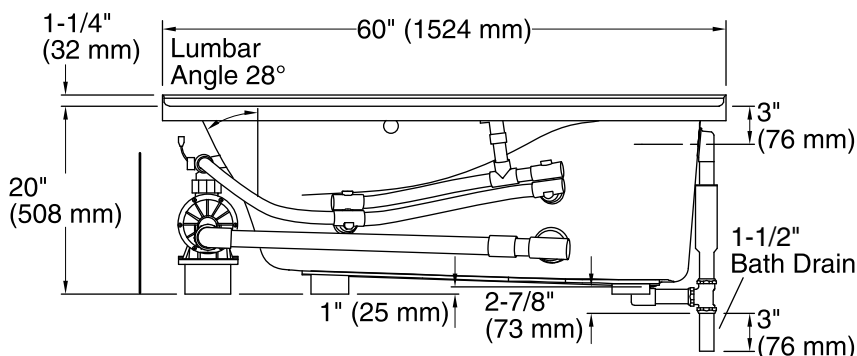
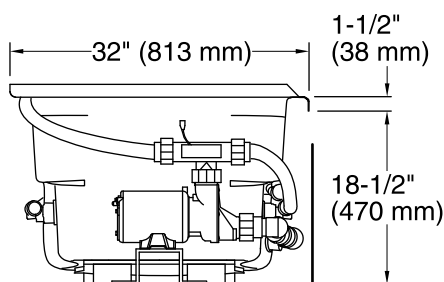
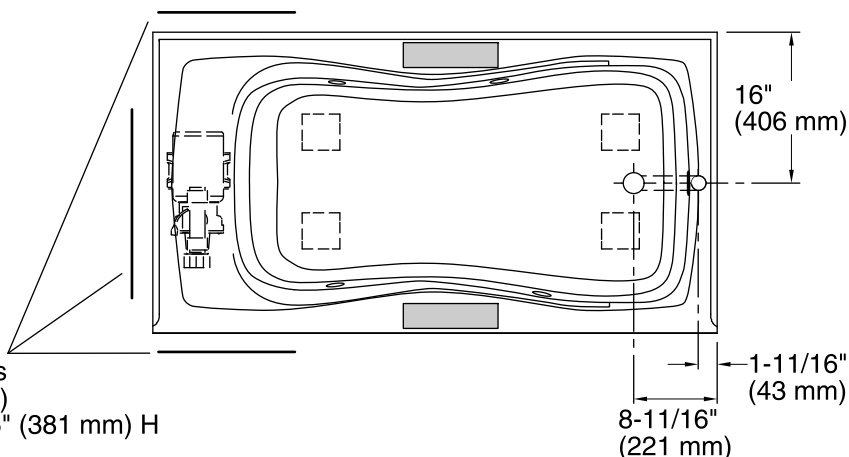
See website for detailed warranty information.

No change in measurements if connected with drain illustrated. (K-7161-AF)

■ Recommended Faucet Area



Pump/Control Access  
(If Apron Is Not Used)  
20" (508 mm) W x 15" (381 mm) H



### Required Electrical Service

Two dedicated circuits required, protected with Class A Ground-Fault Circuit-Interrupter (GFCI) or Residual Current Device (RCD).

Pump: 120 V, 15 A, 60 Hz  
Heater: 120 V, 15 A, 60 Hz

### Technical Information

All product dimensions are nominal.

Installation: 3-Wall Alcove  
Drain location: Right  
Basin area, bottom: 47" x 20" (1194 mm x 508 mm)  
Basin area, top: 53" x 23" (1346 mm x 584 mm)  
Weight: 105 lbs (47.6 kg)  
Minimum floor load: 50 lbs/ft<sup>2</sup> (244.1 kg/m<sup>2</sup>)  
Water depth: 14-1/2" (368 mm)  
Water capacity: 64 gal (242.3 L)  
Electrical component rating: Pump: 120 V, 7.5 A, 60 Hz  
Heater: 120 V, 12.5 A, 60 Hz, 1500 W  
Pump speed: Single  
Minimum flat for door: 2-3/8" (60 mm)

### Notes

Measure your actual product for rough-in details.

Install this product according to the installation instructions.

The hot water supply should be 70% of the capacity of the bath or greater. Installations will vary.

Provide one grounded electrical outlet within 24" (610 mm) of each component.

Rim-mount faucet installations: Before drilling the mounting holes, ensure the faucet does not interfere with the drain overflow and circulating system.

Deck-mount spout installations: Consult local and national codes for minimum air gap requirements.

The apron (if used) must be installed before the finished floor and wall materials are installed.