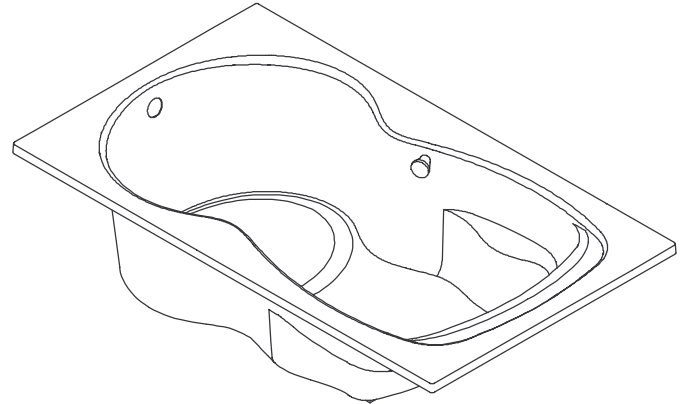


### FEATURES

- 72" (182.9cm) x 42" (106.7cm) x 20" (50.8cm)
- Acrylic
- Drop-in or three wall alcove
- With (K-1199, -L/-R) or without (K-1195, -L/-R) Softgrip grip handles
- Optional K-1283 separate apron
- Optional K-1491 removable pillow

## K-1195, K-1195-L/-R, K-1199, K-1199-L/-R



### CODES/STANDARDS APPLICABLE

Specified model meets or exceeds the following:

- ANSI Z124.1
- IAPMO/UPC

### COLORS/FINISHES

- 0 White
- Other Refer to Fixtures Price Book for additional colors

#### Accessories:

- CP Polished Chrome
- PB Polished Brass
- Other Refer to Price Book for additional finishes

### SPECIFIED MODEL:

Model	Description	Colors/Finishes	
K-1195	Bath less Softgrip grip handles, drop-in	<input type="checkbox"/> 0 White	<input type="checkbox"/> Other_____
K-1195-L	Bath less Softgrip grip handles, left drain, integral flange	<input type="checkbox"/> 0 White	<input type="checkbox"/> Other_____
K-1195-R	Bath less Softgrip grip handles, right drain, integral flange	<input type="checkbox"/> 0 White	<input type="checkbox"/> Other_____
K-1199	Bath with Softgrip grip handles, drop-in (shown)	<input type="checkbox"/> 0 White	<input type="checkbox"/> Other_____
K-1199-L	Bath with Softgrip grip handles, left drain, integral flange	<input type="checkbox"/> 0 White	<input type="checkbox"/> Other_____
K-1199-R	Bath with Softgrip grip handles, right drain, integral flange	<input type="checkbox"/> 0 White	<input type="checkbox"/> Other_____

#### Recommended Accessories

K-7161-AF	Drain	<input type="checkbox"/> CP	<input type="checkbox"/> PB	<input type="checkbox"/> Other_____
-----------	-------	-----------------------------	-----------------------------	-------------------------------------

#### Optional Accessories

K-1283	Separate apron with removable panel for front access	<input type="checkbox"/> 0 White	<input type="checkbox"/> Other_____
K-1491	Pillow	<input type="checkbox"/> 0 White	<input type="checkbox"/> Other_____

### PRODUCT SPECIFICATION:

The bath shall be 72" (182.9cm) in length, 42" (106.7cm) in width, and 20" (50.8cm) in height. Bath shall be made of acrylic, drop-in or three wall alcove installation. Bath shall be with (K-1199, -L/-R) or without (K-1195, -L/-R) Softgrip grip handles. Bath shall have optional K-1283 separate apron. Bath shall be Kohler Model K-\_\_\_\_\_-\_\_\_\_\_.

# SYNCHRONY™

## PRODUCT INFORMATION

Fixture*:	basin area	top area	weight
Bathing well	49" (124.5cm) x 25" (63.5cm)	61" (154.9cm) x 34" (86.4cm)	80 lbs. (36.3kg)
	water depth	capacity	
To overflow	14" (35.6cm)	72 gal. (272.5L)	

\* Approximate measurements for comparison only.

## INSTALLATION NOTES

Install this product according to the installation guide.

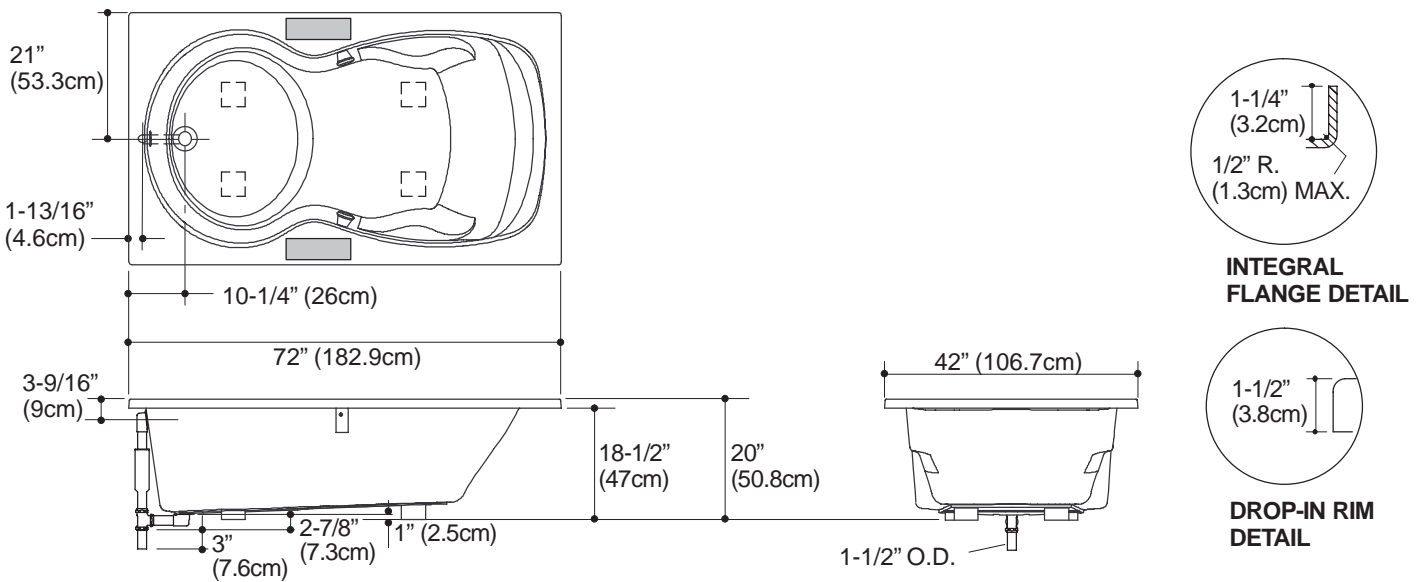
Floor support under bath must provide for a minimum of 80 lbs./square foot (390 Kg./square meter) loading.

If installing a rim-mount faucet, make sure there is no interference with drain overflow before drilling any holes. Consult local and national codes for minimum air gap requirements if installing a spout on the faucet deck.

The apron must be installed before the finish floor and wall materials are installed.

No change in measurements if connected with drain illustrated. (K-7161-AF or K-7161M-AF)		
Drop-in cut-out	70" (177.8cm) x 40" (101.6cm)	
Faucet area		recommended

K-1199



## PRODUCT DIAGRAM