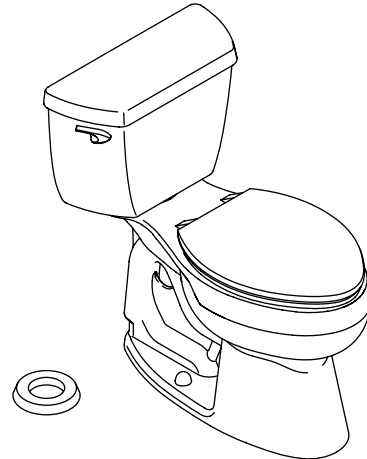


Features

- Vitreous china
- Elongated bowl
- Comfort Height®
- Class Five® flushing system
- Includes seat, cover, wax ring, polished chrome trip lever and floor hardware
- DryLock™ attachment plate reduces installation time and prevents potential leak points
- Less supply
- 12" (30.5 cm) rough-in
- 1.6 gpf (6 lpf)
- 2-1/8" (5.4 cm) glazed trapway
- 10-1/2" (26.7 cm) x 7-3/4" (19.7 cm) water area
- 29-1/2" (74.9 cm) x 19-5/8" (49.8 cm) x 30-3/8" (77.2 cm)

THE COMPLETE SOLUTION™ TOILET K-11492

ADA



Codes/Standards Applicable

Specified model meets or exceeds the following:

- ADA
- ICC/ANSI A117.1
- ASME A112.19.2/CSA B45.1
- Energy Policy Act of 1992

Colors/Finishes

- 0: White
- Other: Refer to Price Book for additional colors/finishes

Accessories

- 0: White
- CP: Polished Chrome
- Other: Refer to Price Book for additional colors/finishes

Specified Model

Model	Description	Trip Lever	Colors/Finishes	
K-11492	The Complete Solution toilet	left-hand	<input type="checkbox"/> 0	<input type="checkbox"/> Other_____

Recommended Accessories

K-7637	Angle supply with stop – 3/8" NPT	<input type="checkbox"/> CP	<input type="checkbox"/> Other_____
K-4650	Lustra™ open front seat with cover – for ADA compliance	<input type="checkbox"/> 0	<input type="checkbox"/> Other_____

Product Specification

The elongated bowl toilet shall be made of vitreous china. Product shall be 29-1/2" (74.9 cm) in length, 19-5/8" (49.8 cm) in width, and 30-3/8" (77.2 cm) in height with a 10-1/2" (26.7 cm) x 7-3/4" (19.7 cm) water area. Product shall be for 12" (30.5 cm) rough-in. Product shall feature a 1.6 gpf (6 lpf) and Class Five flushing system. Product shall be ADA compliant when installed following installation notes. Product shall include seat, cover, wax ring, polished chrome trip lever, and floor hardware. Product shall include a DryLock attachment plate, which reduces installation time and prevents potential leak points. Product shall be less supply. Product shall have a 2-1/8" (5.4 cm) glazed trapway. Toilet shall be Kohler Model K-11492-_____.

HIGHLINE®

Technical Information

Fixture:	
Configuration	two-piece, elongated
Water per flush	1.6 gal (6 L)
Passageway	2-1/8" (5.4 cm)
Water area	10-1/2" (26.7 cm) x 7-3/4" (19.7 cm)
Water depth from rim	5-1/4" (13.3 cm)
Seat post hole centers	5-1/2" (14 cm)

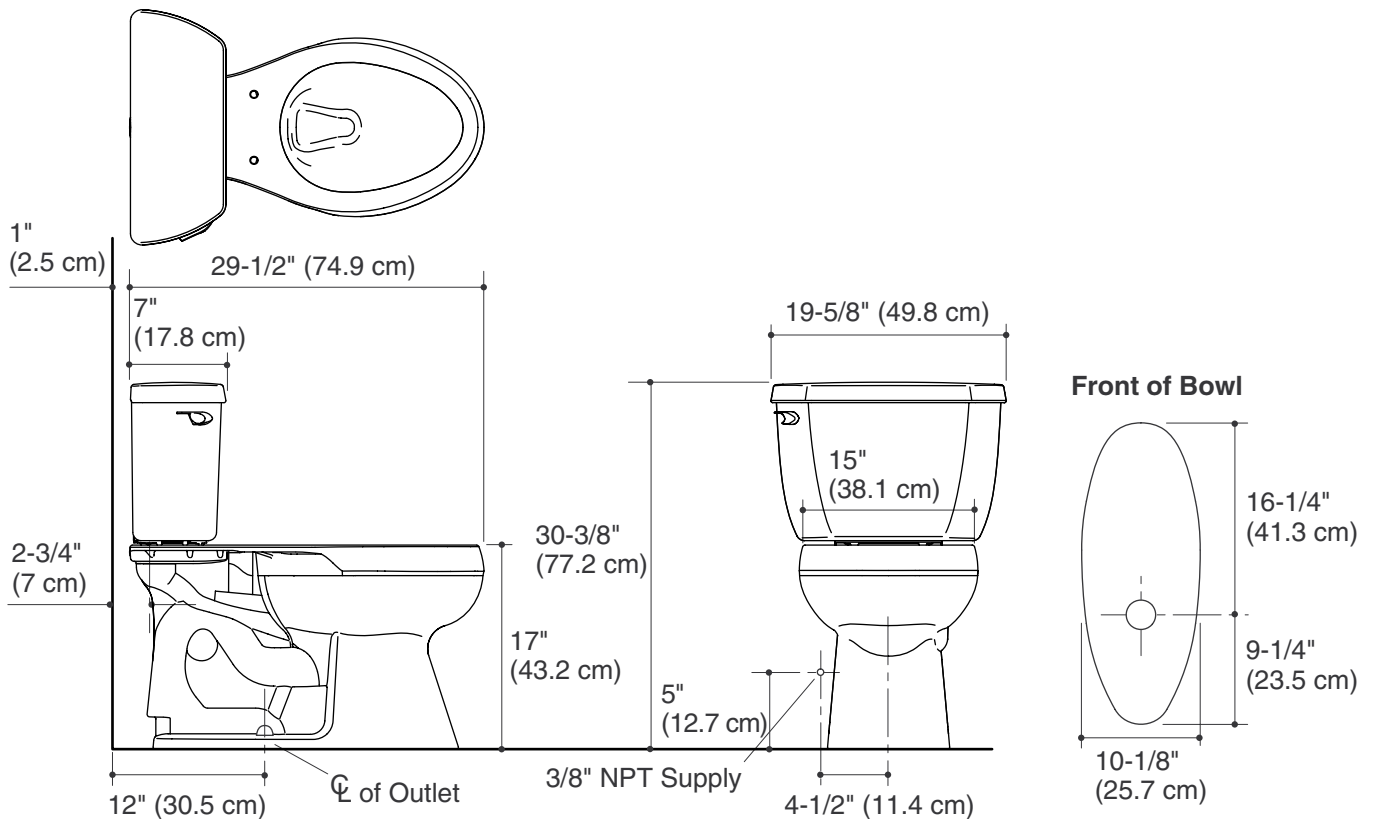
Included components:	
Bowl	K-4298
Tank	K-4632
Tank cover	84591
Trip lever	K-9386-L
Toilet seat	K-4664
Wax ring and hardware installation kit	1023457
Bolt cap accessory pack	1013092

Installation Notes

Install this product according to the installation guide.

Will comply with the American Disabilities Act (ADA) when installed per the requirements of the Accessibility Guidelines, Section 604 Water Closets, of the Act. The Model Plumbing Codes require the installation of elongated open-front toilet seats in public bathrooms.

The Plumbing Codes require open-front elongated toilet seats on public use toilets.



Product Diagram