

Features

- Brass construction
- Fixture-mount design
- Includes a 9 V lithium battery
- Intended for toilet installations with 1-1/2" spud coupling connection
- Electronic infrared sensor with WAVE technology for accurate activation
- Retrofit models require a control stop and vacuum breaker
- 1.28 gpf (4.8 lpf) flush flow rate for low water consumption [K-10673 and K-10666]
- 1.6 gpf (6 lpf) flush flow rate [K-10674 and K-10677]

Codes/Standards Applicable

Specified model meets or exceeds the following:

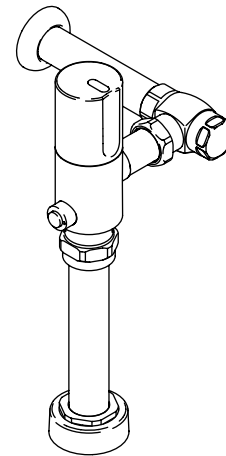
- ASSE 1037
- CSA B64
- ADA
- FCC 47, Part 15
- EN 55022
- ICES-003, Class B
- ICC/ANSI A117.1
- CSA B125.3

Specified Model:

Model	Description	Colors/Finishes
K-10666	Exposed WAVE flush valve retrofit – 1.28 gpf (4.85 lpf)	<input type="checkbox"/> CP
K-10673	Exposed WAVE flush valve – 1.28 gpf (4.8 lpf)	<input type="checkbox"/> CP
K-10674	Exposed WAVE flush valve – 1.6 gpf (6 lpf)	<input type="checkbox"/> CP
K-10677	Exposed WAVE flush valve retrofit – 1.6 gpf (6 lpf)	<input type="checkbox"/> CP

EXPOSED WAVE FLUSH VALVE
K-10673
ALSO K-10674, K-10677, K-10666

ADA



Colors/Finishes

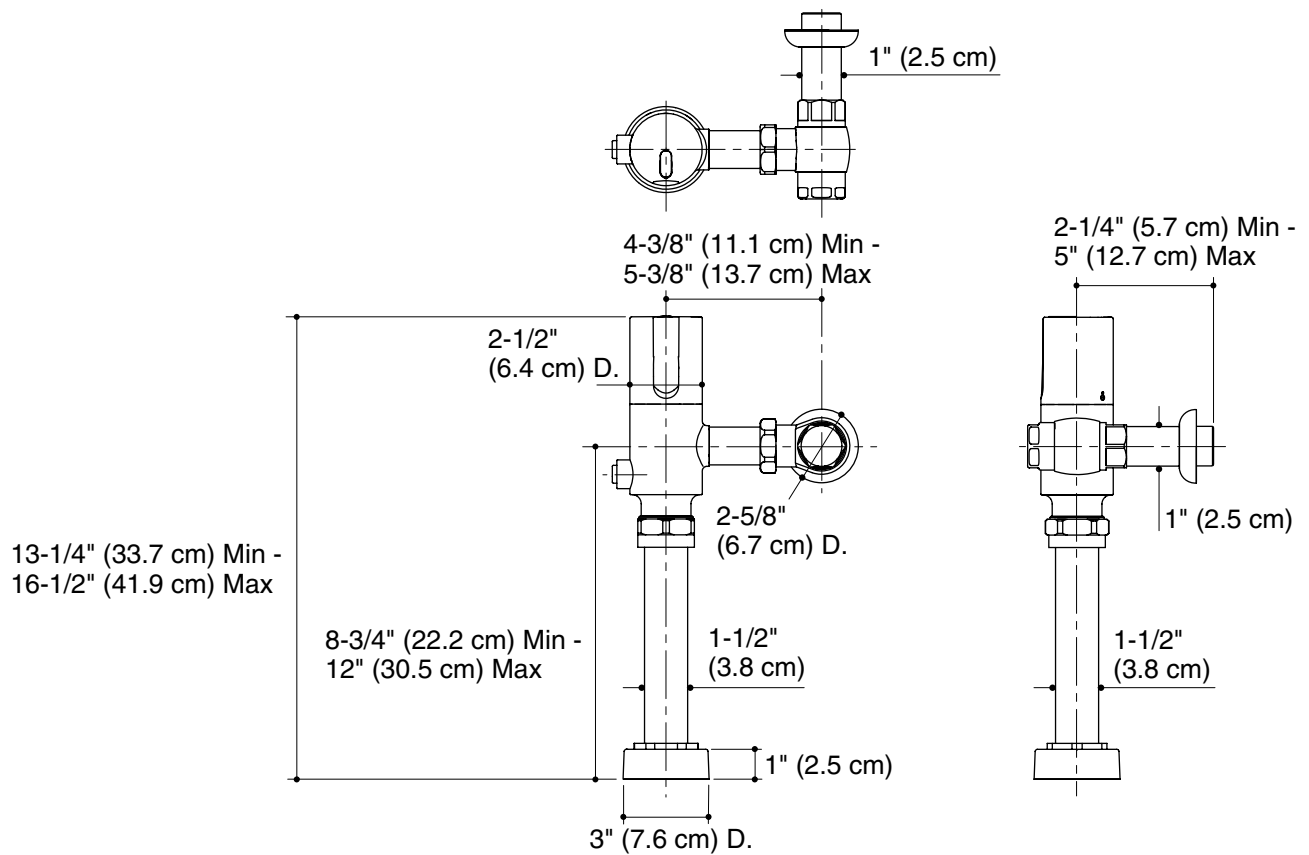
- CP: Polished Chrome

PRODUCT SPECIFICATION

Electronic flush valve shall be made of brass construction. Valve shall feature electronic infrared sensor with WAVE technology for accurate activation. Valve shall be of a fixture-mount design. Product is intended for toilet installations with a 1-1/2" spud coupling connection, and retrofit models require a control stop and vacuum breaker. Valve shall have a 1.28 gpf (4.8 lpf) flow rate for low water consumption [K-10673 and K-10666] or 1.6 gpf (6 lpf) flow rate [K-10674 and K-10677]. Valve includes a 9 V lithium battery. Product shall be Kohler Model K-_____-CP.

Installation Notes

Install this product according to the installation guide.



Product Diagram