



PureWash® E860 | K-38392

Dual-Wand Elongated bidet toilet seat with remote control

Features

- Continuously heated water for consistent comfort
- Front and rear wash modes provide adjustable water temperature and water pressure
- Rear wand offers choice of oscillating or pulsating spray
- Sleek, handheld remote control with two programmable user presets
- Self-cleaning function uses UV light to automatically clean rear wand surface
- Bowl is automatically misted prior to use for more effective rinsing while flushing
- Boost spray automatically adjusts rear spray mode to highest pressure
- Child mode with soft, gentle wash provides a safe experience
- Heated seat with adjustable temperature settings
- Warm-air drying system with adjustable temperature settings
- Automatic deodorization system for odor control
- LED lighting illuminates the bowl to serve as a nightlight
- Energy-save function
- Ergonomically designed for comfortable seating
- Quiet-Close™ elongated lid and seat prevents slamming
- Quick-Release™ functionality allows seat to be removed easily from toilet for convenient cleaning
- Grip-Tight bumpers hold seat firmly in place
- Fits most elongated toilets
- Compatible with most toilets with hidden cord design



Codes/Standards

ASME A112.4.2/CSA B45.16
CSA C22.2 No. 0
CSA C22.2 No. 64
CSA C22.2 No. 68

Warranty

See website for detailed warranty information.

KOHLER® Intelligent Toilet and C3® Cleansing Seat Three-Year Limited Warranty

Technical Information

All product dimensions are nominal.

| | |
|----------------------|-----------------|
| Lighting Included: | Yes |
| Seat Shape Type: | Elongated |
| Seat Front Type: | Closed-front |
| Seat-Mounting Holes: | 5-1/2" (140 mm) |

Material

- Plastic construction

Recommended Products/Accessories

K-5172-HC Hidden cord one-piece compact elongated toilet with concealed trapway, 1.28 gpf toilet

K-1381-HC Hidden cord one-piece elongated toilet with skirted trapway, dual-flush

K-23188-HC Hidden cord one-piece compact elongated toilet with skirted trapway, dual-flush

Required Electrical Service

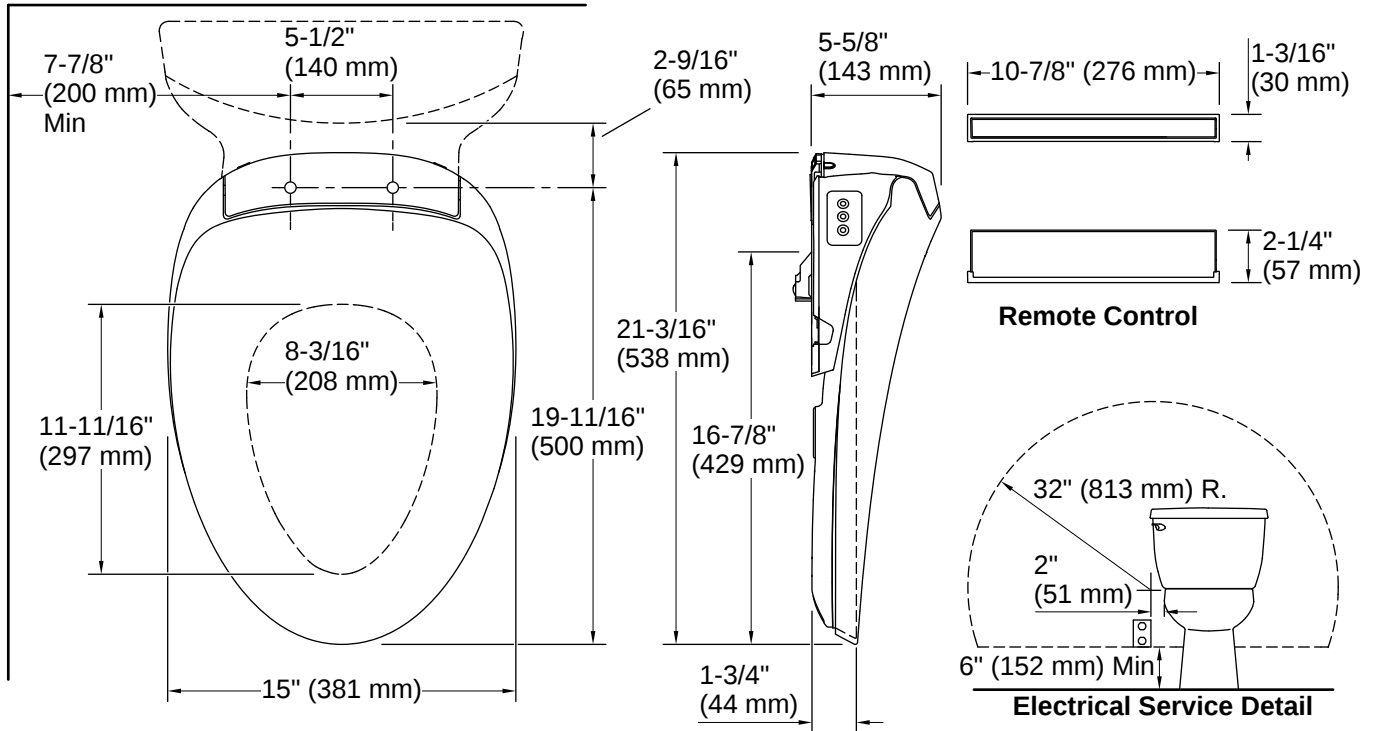
One circuit required.

Cleansing toilet seat: 120 V, 60 Hz

Electrical Component Ratings

Cleansing toilet seat: 120 V, 60 Hz, 1200 W





Installation

- Requires connection to toilet water supply line
- Requires dedicated electrical GFCI circuit (120 V, 15 A, 60 Hz)

Installation Notes

Install this product according to the installation instructions.

To avoid possible product malfunction, do not plug in the seat until instructed to do so.

Locate the receptacle at least 6" (152 mm) above the floor, and within a 32" (813 mm) radius measured 2" (51 mm) from the bowl ledge.

Do not use an extension cord with this product.

Do not install this seat in a location where: (1) water might be splashed on the product or (2) excessive moisture, high humidity levels, or condensation is present. This will avoid damage to the electronic components.

