

## Aquifer® | K-T30924

4-in-1 tall arc beverage faucet

### Features

- High-arch swing spout with 160° rotation offers superior clearance for filling pitchers, chilling bottles, and cleanup
- 16-1/16" (408 mm) spout height
- Laminar flow
- Digital interface touchpad allows user to select between ambient, chilled, near-boiling, or sparkling water
- Digital interface can be mounted directly on counter surface or on escutcheon plate
- Box includes: Faucet, digital interface, escutcheon plate, supply lines
- Aquifer® 4-in-1 Grated Drain sold separately
- Requires K-34113 Aquifer® Beverage System (sold separately)



### Sustainability



### Available Colors/Finishes

*Color tiles intended for reference only.*

- CP Polished Chrome
- VS Vibrant Stainless
- BL Matte Black
- 2MB Vibrant Brushed Moderne Brass



---

## Codes/Standards

ADA, CSA B651 compliant when installed to the specific requirements of these regulations.

ADA CSA B651

ASME A112.18.1/CSA B125.1  
NSF/ANSI/CAN 372  
NSF/ANSI/CAN 61  
DOE - Energy Policy Act 1992  
California Energy Commission (CEC)  
ADA  
ICC/ANSI A117.1  
CSA B651

---

## Technical Information

All product dimensions are nominal.

### Spout

Spout Reach: 6-15/16" (176 mm)

### Flow Rate

Faucet Flow Rate: 1 gpm (3.8 l/min)

---

## Material

- Premium material construction for durability and reliability
  - KOHLER finishes resist corrosion and tarnishing
- 

## Recommended Products/Accessories

K-30928 Grated drain

---

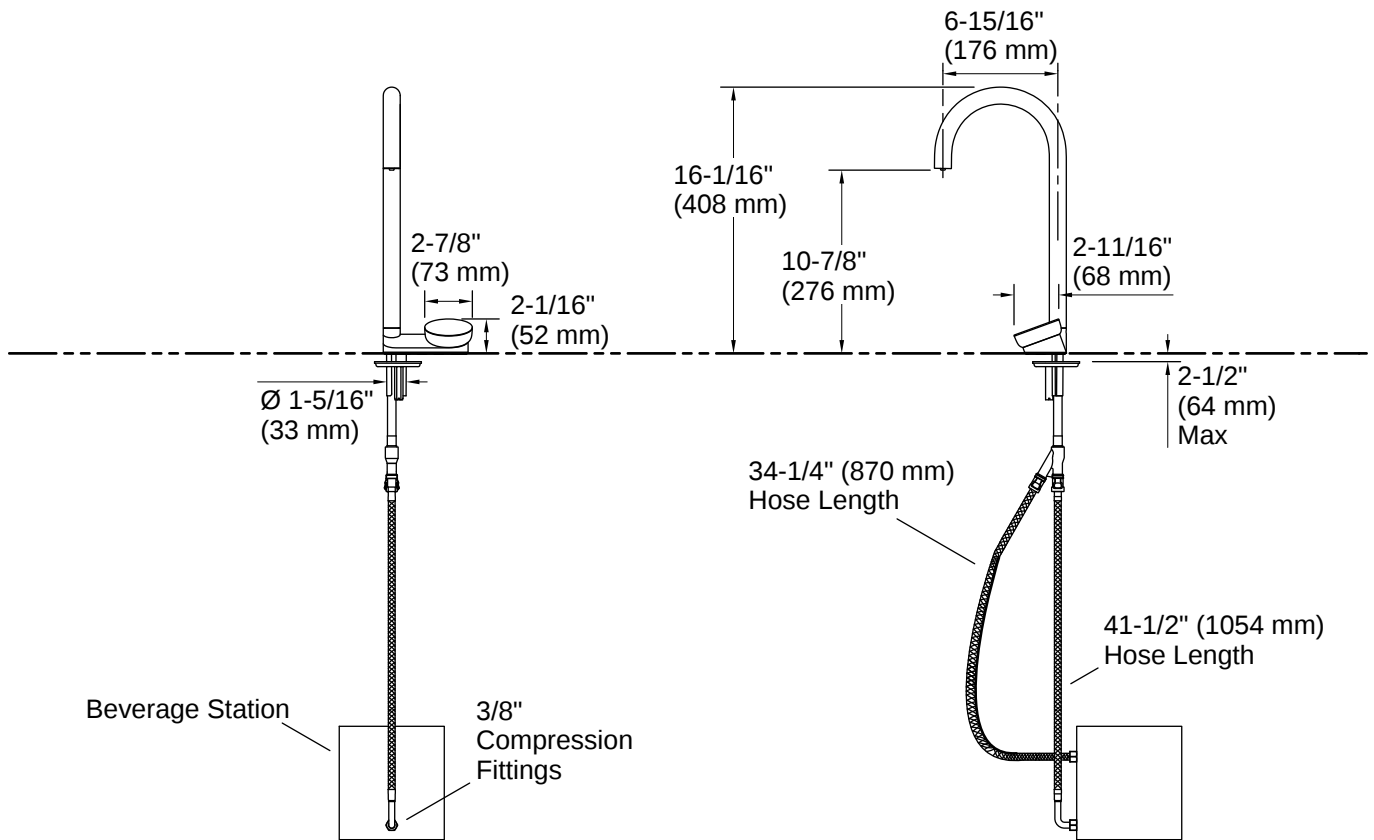
## Warranty

See website for detailed warranty information.

KOHLER® Electronic Faucets, Valves, and Controls Five-Year Limited  
Warranty



1-800-4KOHLER (1-800-456-4537)  
Kohler Co. reserves the right to make revisions without notice to product specifications.  
For the most current specification sheet, go to [www.kohler.com](http://www.kohler.com) USA or [www.kohler.ca](http://www.kohler.ca) Canada.  
4-23-2026 8:0 - US-CA



## Installation

- Single- or two-hole installation
- Flexible supply lines simplify installation

## Installation Notes

*Install this product according to the installation instructions.*

ADA, CSA B651 compliant when installed to the specific requirements of these regulations.

