



Cachet® | K-35584

Recycled ReadyLatch® Quiet-Close™ elongated toilet seat

Features

- Fits most elongated toilets
- Each seat helps divert over 4 pounds of plastic from the waste stream
- Color, quality, and function of this seat is equivalent to a standard seat, the same level of quality expected from Kohler
- The seat and lid are made from 100% pre-consumer recycled plastic for a more sustainable solution (Excludes hinges and hardware)
- ReadyLatch® hinge provides a positive lock/unlock latch to securely hold seat in position, yet seat easily removes for cleaning or adjusting fit
- Quiet-Close™ elongated lid and seat prevents slamming
- Grip-Tight bumpers hold seat firmly in place
- Grip-Tight installation hardware makes it easy to fasten the seat – everything is done from above the bowl
- Contoured seat for user comfort
- Color-matched plastic hinges
- Toilet seats are not returnable to Kohler Co. if opened or outside of original packaging



Available Colors/Finishes

Color tiles intended for reference only.

■ 0 White



1-800-4KOHLER (1-800-456-4537)

Kohler Co. reserves the right to make revisions without notice to product specifications.

For the most current specification sheet, go to www.kohler.com USA or www.kohler.ca Canada.

4-15-2026 2:47 - US-CA

THE BOLD LOOK
OF **KOHLER**

Codes/Standards

Plumbing codes may require elongated toilets and elongated, open-front seats in public bathrooms.

Technical Information

All product dimensions are nominal.

| | |
|----------------------|-----------------|
| Seat Shape Type: | Elongated |
| Seat Front Type: | Closed-front |
| Seat-Mounting Holes: | 5-1/2" (140 mm) |

Material

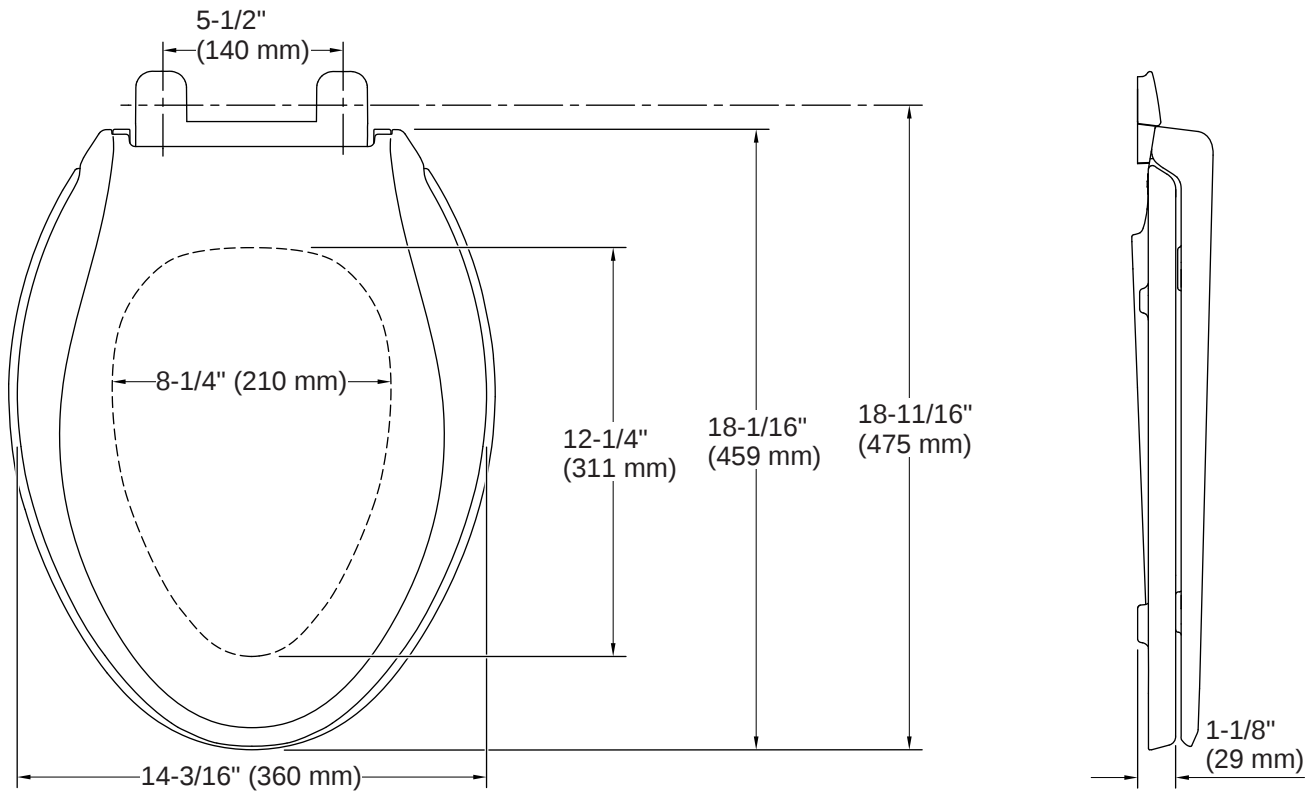
- Plastic construction
-

Warranty

See website for detailed warranty information.

KOHLER® Toilets and Seats Limited Warranty





Installation Notes

Install this product according to the installation instructions.

