

Features

- 21" (533 mm) minimum base cabinet width
- Single bowl
- Rounded corners are easy to clean
- 8-1/8" (206 mm) depth
- Bowl slopes toward drain to minimize water pooling
- No faucet holes; requires wall- or counter-mount faucet
- Rear drain increases workspace in the sink and allows for more storage space underneath the sink
- SilentShield® sound-absorption technology offers quieter performance
- Box includes: Sink, sink rack, utility rack, installation hardware, cutout template
- Sink drain with strainer sold separately

Material

- Premium 16-gauge stainless steel
- KOHLER stainless steel sinks resist corrosion and tarnishing

Installation

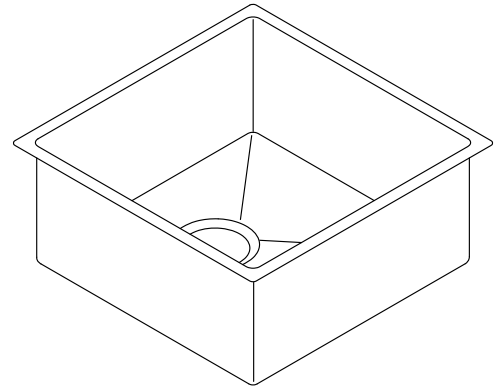
- Undermount

Optional Products/Accessories

- K-8801 Sink drain and strainer with tailpiece
- K-35491 Marble serving tray
- K-23729 Stainless steel cleaner

Included Components

- K-33161 Sink rack
- K-6429 Utility Rack



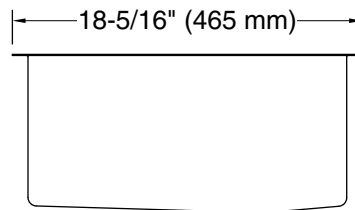
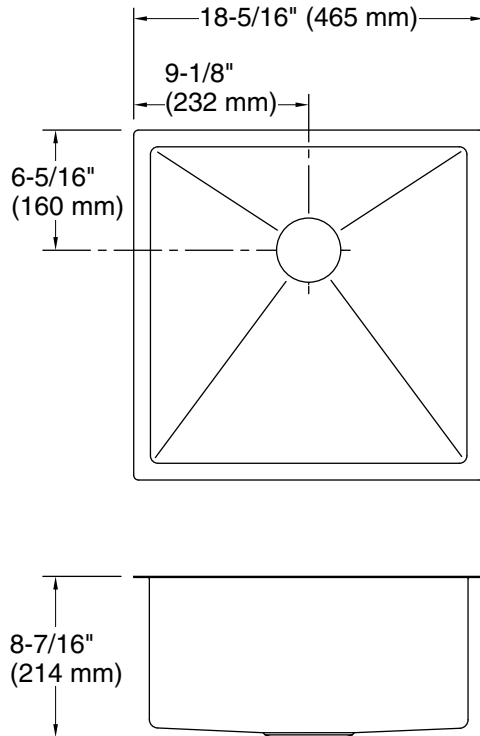
ADA

Codes/Standards

ASME A112.19.3/CSA B45.4
ADA
ICC/ANSI A117.1

KOHLER® Stainless Steel Sinks Lifetime Limited Warranty

See website for detailed warranty information.



Technical Information

All product dimensions are nominal.

Bowl configuration: Single

Min. base cabinet width: 21" (533 mm)

Bowl area (Only): Length: 16-9/16" (420 mm)
Width: 16-9/16" (420 mm)
Bowl depth: 8-1/8" (206 mm)
Water depth: 8-1/8" (206 mm)

Drain hole: 3-3/4" (94 mm)

Template: Undermount, 1533252-7, required, included

Notes

Install this product according to the installation instructions.

NOTICE: Countertop manufacturer or cutter must use the cut-out template provided with the product, or a current one provided by Kohler Co. (call 1-800-4KOHLER). Kohler Co. is not responsible for cutout errors when the incorrect cut-out template is used.

ADA compliant when installed to the specific requirements of these regulations.