

### Features

- Dual-function wand provides ambient water for front and rear cleansing.
- Convenient side lever handle allows for water pressure adjustment.
- Self-cleaning wand automatically rinses after each use.
- Manually-operated handle requires no batteries or electrical power.
- Quiet-Close™ elongated seat closes quietly.
- Quick-Release™ functionality allows the seat to be removed easily from the toilet for convenient cleaning.
- Grip-Tight bumpers hold seat firmly in place.
- Ergonomically contoured seat for user comfort.
- Seat with antimicrobial agent inhibits growth of odor-causing bacteria, mold, and mildew. This product does not protect users against bacteria, viruses, or other disease organisms. Always clean and wash this product thoroughly before and after each use.
- Air bubble wash offers a soft, gentle wash with effective cleansing.

### Material

- Plastic construction.

### Installation

- Requires connection to toilet water supply line. All hoses and connections are included.
- Fits most elongated toilets.

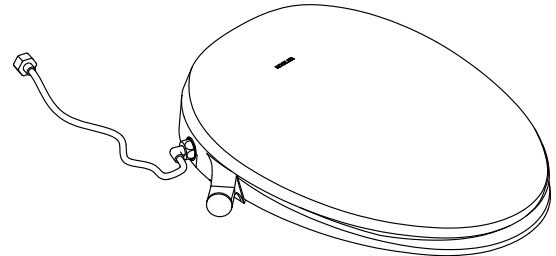
### Recommended Products/Accessories

- K-3999 Two-piece elongated 1.28 gpf chair height toilet
- K-3999-RA Two-piece elongated 1.28 gpf chair height toilet
- K-31621 Two-piece elongated 1.28 gpf chair height toilet
- K-31621-RA Two-piece elongated 1.28 gpf chair height toilet

### Included Components

Additional Components:

- Bidet hose
- Mounting hardware
- T-valve

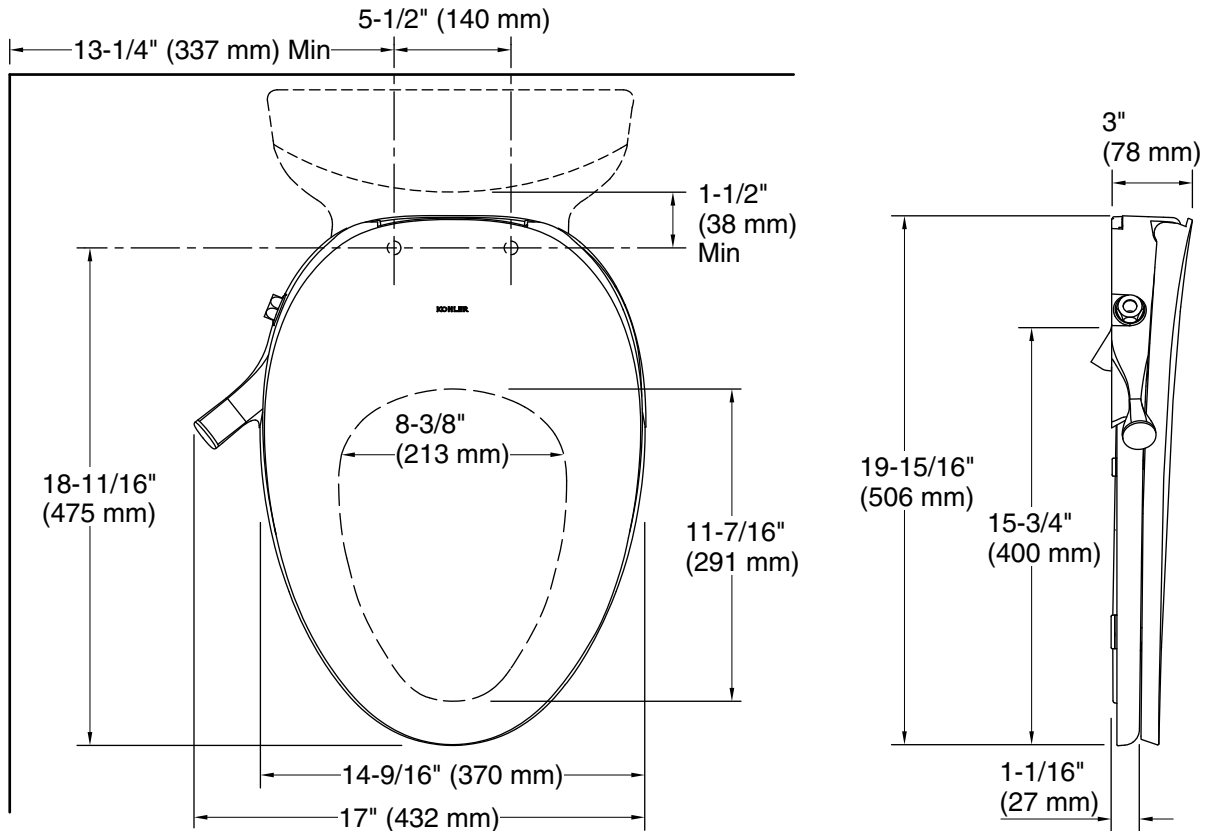


### Codes/Standards

None Applicable

### KOHLER® Toilets and Seats Limited Warranty

See website for detailed warranty information.



## Technical Information

All product dimensions are nominal.

Seat shape type: Elongated  
 Seat front type: Closed-front  
 Seat-mounting holes: 5-1/2" (140 mm)

### Features

- Vitreous china.
- One-piece.
- Comfort Height® Compact elongated bowl.
- AquaPiston® flushing system.
- Includes left-hand polished chrome trip lever.
- 1.28 gpf (4.8 lpf).
- 2-1/8" (54 mm) plastic trapway.
- 12" (305 mm) rough-in.
- Includes Glenbury™ Quiet-Close™ with Grip-Tight seat.
- Less supply.
- 9-5/8" (244 mm) x 7-3/8" (187 mm) water area.
- 27-3/4" (705 mm) x 18-1/4" (464 mm) x 28-1/4" (718 mm).
- Floor mount/Floor outlet.

### Optional Accessories

- K-5383 10" Rough-in Full Skirt Trap and Attachment System
- K-5381 14" Rough-in Full Skirt Trap and Attachment System
- K-7637 Angle Supply with Stop (single)



**ADA** **CSA B651** **OBC**











### Codes/Standards

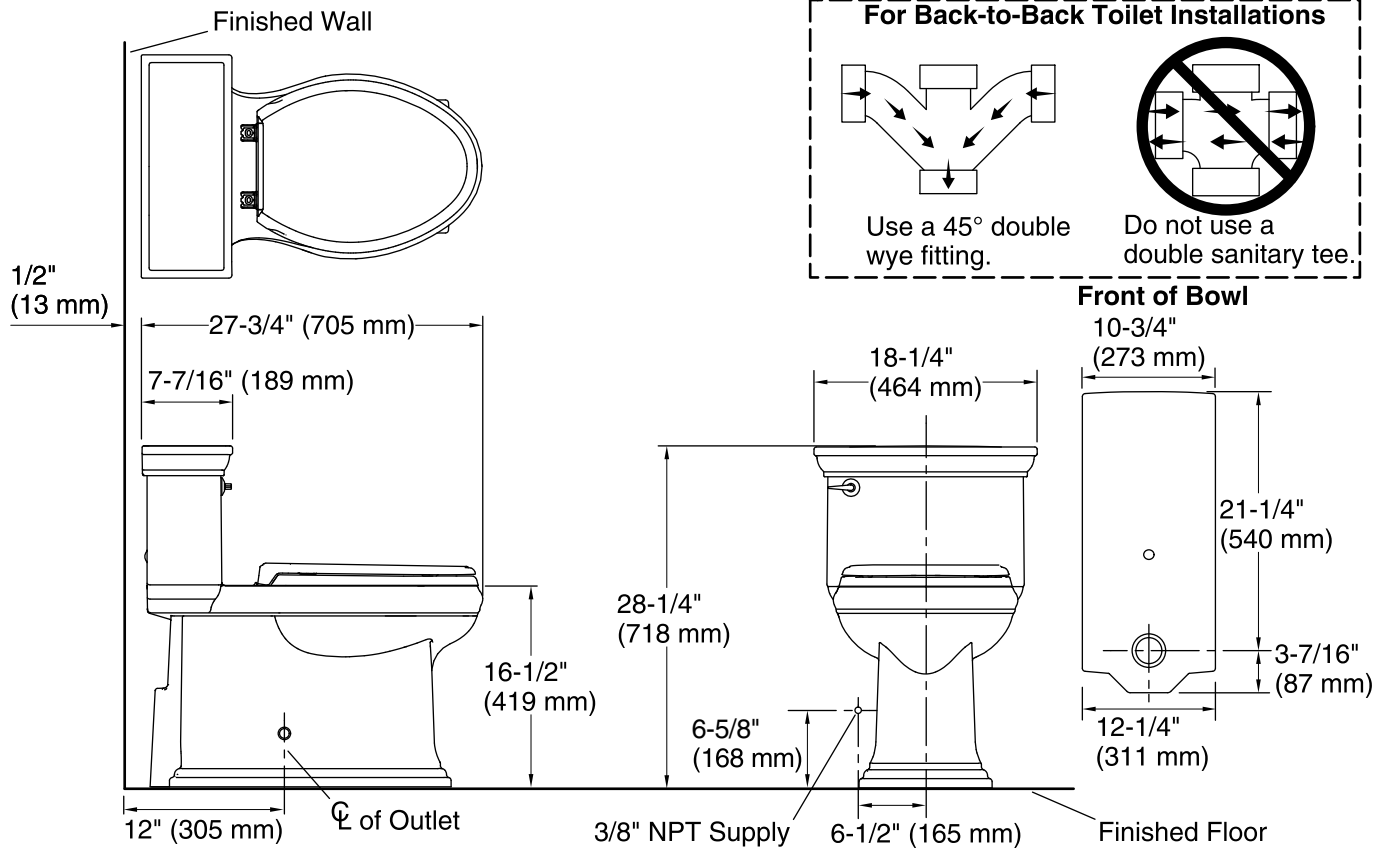
ASME A112.19.2/CSA B45.1  
DOE - Energy Policy Act 1992  
EPA WaterSense®  
California Energy Commission (CEC)  
ADA  
ICC/ANSI A117.1  
CSA B651  
OBC

See website for detailed warranty information.

### Available Color/Finishes

*Color tiles intended for reference only.*

| Color  | Code | Description   |
|--|------|---------------|
|  | 0    |               |
|  | 96   |               |
|  | 47   | Almond        |
|  | NY   |               |
|  | 95   |               |
|  | G9   |               |
|  | 33   | Mexican Sand™ |
|  | K4   |               |
|  | 58   |               |
|  | 7    |               |



### Technical Information

All product dimensions are nominal.

|                       |                                   |
|-----------------------|-----------------------------------|
| Toilet type:          | One-piece                         |
| Bowl shape:           | Compact Elongated front           |
| Flush type:           | AquaPiston                        |
| Trap passageway:      | 2-1/8" (54 mm)                    |
| Water Consumption     |                                   |
| Full:                 | 1.28 gpf (4.8 lpf)                |
| Water surface size:   | 9-5/8" x 7-3/8" (244 mm x 187 mm) |
| Rim to water surface: | 5-3/8" (137 mm)                   |
| Rough-in:             | 12" (305 mm)                      |
| Seat-mounting holes:  | 5-1/2" (140 mm)                   |

### Notes

Install this product according to the installation instructions.

For back-to-back toilet installations: Use only a 45° double wye fitting.

ADA, OBC, CSA B651 compliant when installed to the specific requirements of these regulations.

Plumbing Codes require elongated toilets and elongated, open-front toilet seats in public bathrooms.

Accessibility standards require controls to be located on the open side of the toilet.