

Features

- Vitreous china.
- One-piece.
- Comfort Height® Compact elongated bowl.
- AquaPiston® flushing system.
- Includes left-hand polished chrome trip lever.
- 1.28 gpf (4.8 lpf).
- 2-1/8" (54 mm) plastic trapway.
- 12" (305 mm) rough-in.
- Includes Glenbury™ Quiet-Close™ with Grip-Tight seat.
- Less supply.
- 9-5/8" (244 mm) x 7-3/8" (187 mm) water area.
- 27-3/4" (705 mm) x 18-1/4" (464 mm) x 28-1/4" (718 mm).
- Floor mount/Floor outlet.

Optional Accessories

- K-5383 10" Rough-in Full Skirt Trap and Attachment System
- K-5381 14" Rough-in Full Skirt Trap and Attachment System
- K-7637 Angle Supply with Stop (single)



ADA **CSA B651** **OBC**











Codes/Standards

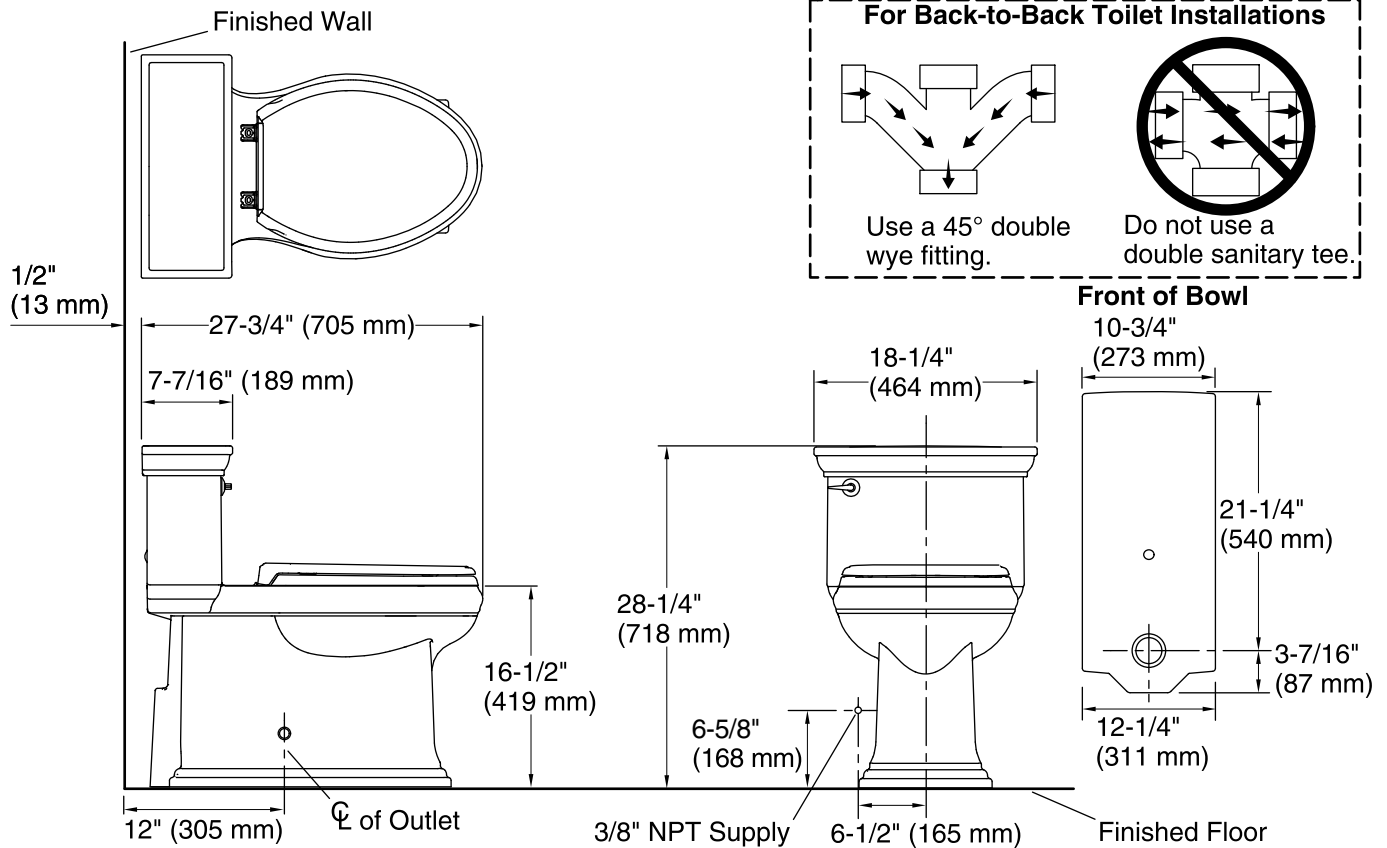
ASME A112.19.2/CSA B45.1
DOE - Energy Policy Act 1992
EPA WaterSense®
California Energy Commission (CEC)
ADA
ICC/ANSI A117.1
CSA B651
OBC

See website for detailed warranty information.

Available Color/Finishes

Color tiles intended for reference only.

Color	Code	Description
	0	
	96	
	47	Almond
	NY	
	95	
	G9	
	33	Mexican Sand™
	K4	
	58	
	7	



Technical Information

All product dimensions are nominal.

Toilet type:	One-piece
Bowl shape:	Compact Elongated front
Flush type:	AquaPiston
Trap passageway:	2-1/8" (54 mm)
Water Consumption	
Full:	1.28 gpf (4.8 lpf)
Water surface size:	9-5/8" x 7-3/8" (244 mm x 187 mm)
Rim to water surface:	5-3/8" (137 mm)
Rough-in:	12" (305 mm)
Seat-mounting holes:	5-1/2" (140 mm)

Notes

Install this product according to the installation instructions.

For back-to-back toilet installations: Use only a 45° double wye fitting.

ADA, OBC, CSA B651 compliant when installed to the specific requirements of these regulations.

Plumbing Codes require elongated toilets and elongated, open-front toilet seats in public bathrooms.

Accessibility standards require controls to be located on the open side of the toilet.

Features

- Hybrid heater provides continuously heated water for consistent comfort.
- Stainless steel wand with automatic UV-light self-sanitization.
- Front and rear wash modes provide warm water for cleansing.
- Adjustable water temperature and water pressure.
- Quiet-Close™ lid closes slowly and quietly without slamming.
- Quick-Release™ hinges allow seat to be unlatched from toilet for easy removal and convenient cleaning; no tools required.

Material

- Plastic

Installation

- Dedicated electrical GFCI circuit required (120V, 15A, 60Hz, 1800W).
- Requires connection to toilet water supply line. All hoses and connections are included. Additional included components: T-fitting, inlet water supply hose, and seat mounting bracket.
- Requires Phillips screwdriver and adjustable wrench for installation.



Codes/Standards

ASME A112.4.2
UL 1431
CSA C22.2 No. 68

KOHLER® Intelligent Toilet and C3 Cleansing Seat Three-Year Limited Warranty

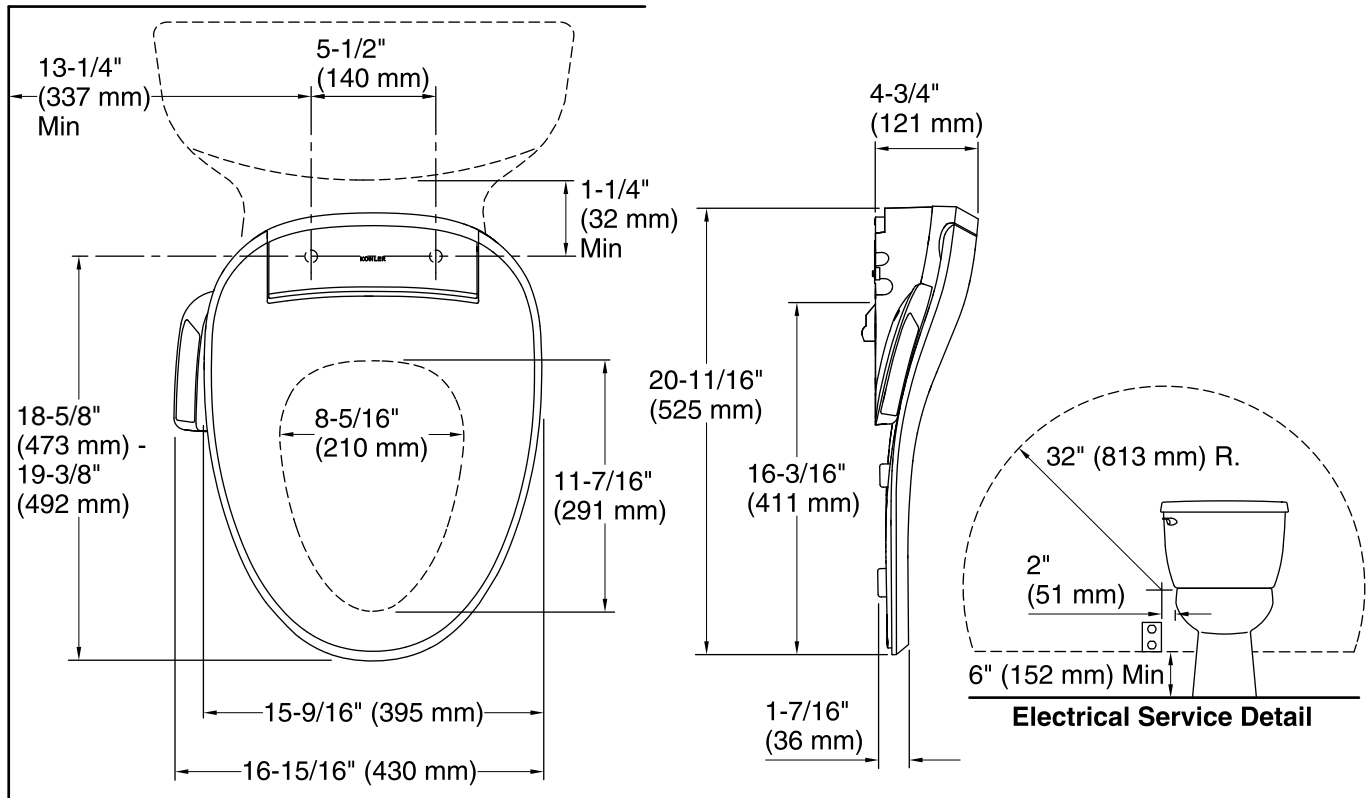
See website for detailed warranty information.

Available Color/Finishes

Color tiles intended for reference only.

Color	Code	Description
-------	------	-------------

	0	White
--	---	-------



Required Electrical Service

One dedicated circuit required, protected with Class A Ground-Fault Circuit-Interrupter (GFCI) or Residual Current Device (RCD).

120 V, 15 A, 60 Hz

Technical Information

All product dimensions are nominal.

Seat-mounting holes: 5-1/2" (140 mm)

Power cord length: 43" (1092 mm)

Notes

Install this product according to the installation guide.

Connect the seat to a cold water supply of drinking quality water at a pressure of 20 psi - 80 psi (139 kPa - 551 kPa).

Do not install this seat in a location where: (1) water might be splashed on the product or (2) excessive moisture, high humidity levels, or condensation is present. This will avoid damage to the electronic components.

Do not use an extension cord with this product.

To avoid possible product malfunction, do not plug in the seat until instructed to do so.

Locate the receptacle at least 6" (152 mm) above the floor, and within a 32" (813 mm) radius measured 2" (51 mm) from the bowl ledge.