



**Corbelle™**  
Elongated Toilet Bowl  
**K-4144**

**Features**

- Vitreous China.
- Comfort Height® Elongated bowl.
- Revolution 360™ Swirl Flushing Technology.
- 2-1/8" (54 mm) Fully glazed trapway.
- Patented ReadyLock™ Installation System.
- Combines with the K-4143 tank to create a complete K-3814 Corbelle™ toilet.

**Optional Accessories**

- K-7637 Angle Supply with Stop (single)
- K-4008 Toilet Seat
- K-4108 Toilet Seat with Cleansing Functionality

**Components**

Additional included component/s: ReadyLock™ installation system.



**Codes/Standards**


ASME A112.19.2/CSA B45.1

See website for detailed warranty information.

**Available Color/Finishes**

*Color tiles intended for reference only.*

**Color Code Description**

	0	White
--	---	-------

No image available.

This product is a component and not intended to be a standalone installation.

## **Technical Information**

All product dimensions are nominal.

## **Notes**

Install this product according to the installation instructions.

## Features

- Vitreous China.
- AquaPiston® Flushing system.
- Includes left-hand polished chrome trip lever.
- 1.28 gpf (4.8 lpf).
- Less supply line.
- Combines with the K-4144 Bowl to create a complete K-3814 Corbelle™ toilet

## Optional Accessories

K-1954 Touchless Toilet Flush Kit

## Components

Additional included component/s: Tank Cover, Trip Lever, and Hardware kit..



## Codes/Standards

ASME A112.19.2/CSA B45.1

See website for detailed warranty information.

## Available Color/Finishes

*Color tiles intended for reference only.*

Color	Code	Description
-------	------	-------------

	0	White
--	---	-------

No image available.

This product is a component and not intended to be a standalone installation.

## **Technical Information**

All product dimensions are nominal.

## **Notes**

Install this product according to the installation instructions.

## Features

- Continuously heated water for consistent comfort
- Front and rear wash modes provide warm water for cleansing
- Adjustable water temperature and water pressure
- Choose oscillating or pulsating spray
- Sleek, handheld remote control with two programmable user presets
- Self-cleaning function uses UV light to automatically clean the wand surfaces
- Motion-activated, hands-free opening/closing of cover
- Boost spray automatically adjusts rear spray mode to highest pressure
- Child mode with soft, gentle wash provides a safe experience
- Heated seat with adjustable temperature settings
- Warm-air drying system with adjustable temperature settings
- Automatic deodorization function for odor control
- LED lighting illuminates the bowl to serve as a nightlight
- Energy-save function
- Ergonomically designed for comfortable seating
- Quiet-Close™ elongated lid and seat prevents slamming
- Quick-Release™ functionality allows seat to be removed easily from toilet for convenient cleaning
- Grip-Tight bumpers hold seat firmly in place
- Fits most elongated toilets

## Material

- Plastic construction

## Installation

- Requires connection to toilet water supply line
- Requires dedicated electrical GFCI circuit (120V, 15A, 60Hz)

## Included Components

Additional Components:

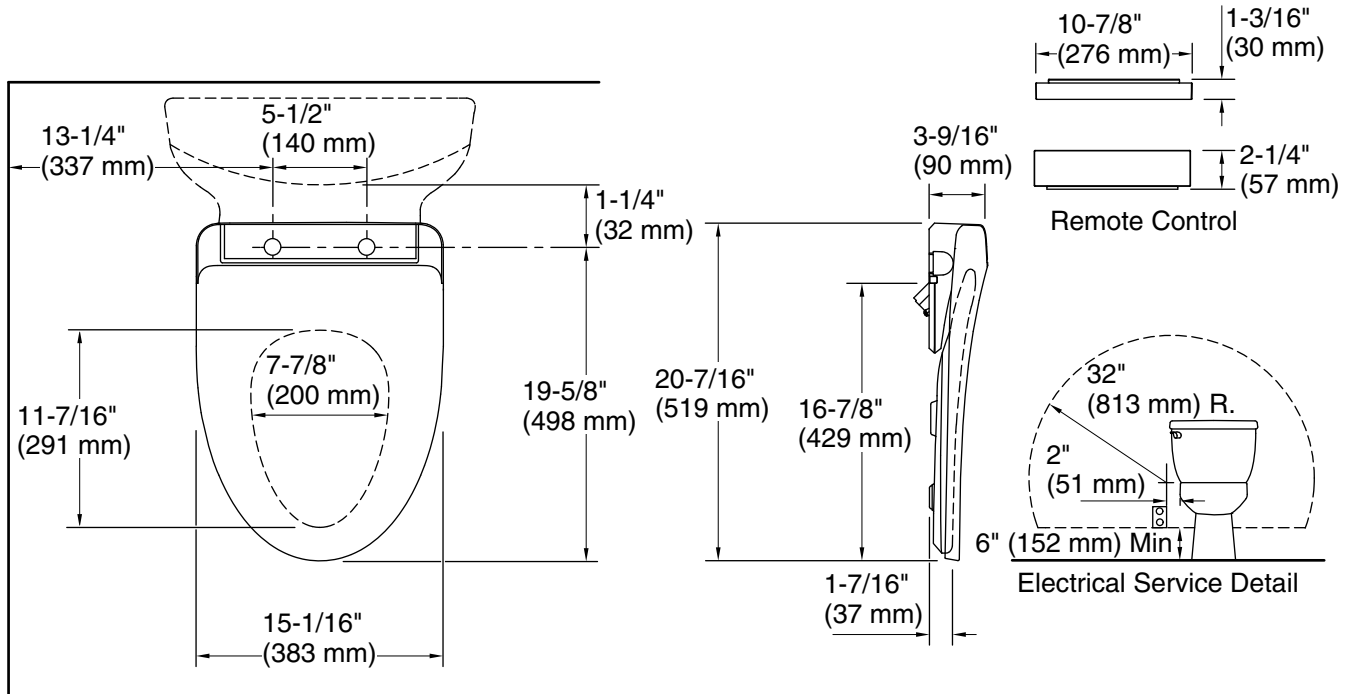
- Inlet water supply hose
- Remote
- Seat mounting bracket
- T-fitting

## Codes/Standards

ASME A112.4.2/CSA B45.16  
UL 1431  
CSA C22.2 No. 68  
CSA C22.2 No. 64

## KOHLER® Intelligent Toilet and C3® Cleansing Seat Three-Year Limited Warranty

See website for detailed warranty information.



### Required Electrical Service

One dedicated circuit required, protected with Class A Ground-Fault Circuit-Interrupter (GFCI). Outside North America, this device may be known as a Residual Current Device (RCD).

120 V, 7.25 A, 60 Hz

### Technical Information

All product dimensions are nominal.

Seat shape type: Elongated  
 Seat front type: Closed-front  
 Seat-mounting holes: 5-1/2" (140 mm)  
 Power cord length: 47-1/4" (1200 mm)

### Notes

Install this product according to the installation instructions.

To avoid possible product malfunction, do not plug in the seat until instructed to do so.

Locate the receptacle at least 6" (152 mm) above the floor, and within a 32" (813 mm) radius measured 2" (51 mm) from the bowl ledge.

Do not use an extension cord with this product.

Do not install this seat in a location where: (1) water might be splashed on the product or (2) excessive moisture, high humidity levels, or condensation is present. This will avoid damage to the electronic components.