



**Corbelle™**  
Elongated Toilet Bowl  
**K-4144**

**Features**

- Vitreous China.
- Comfort Height® Elongated bowl.
- Revolution 360™ Swirl Flushing Technology.
- 2-1/8" (54 mm) Fully glazed trapway.
- Patented ReadyLock™ Installation System.
- Combines with the K-4143 tank to create a complete K-3814 Corbelle™ toilet.

**Optional Accessories**

- K-7637 Angle Supply with Stop (single)
- K-4008 Toilet Seat
- K-4108 Toilet Seat with Cleansing Functionality

**Components**

Additional included component/s: ReadyLock™ installation system.



**Codes/Standards**


ASME A112.19.2/CSA B45.1

See website for detailed warranty information.

**Available Color/Finishes**

*Color tiles intended for reference only.*

**Color Code Description**

	0	White
--	---	-------

No image available.

This product is a component and not intended to be a standalone installation.

## **Technical Information**

All product dimensions are nominal.

## **Notes**

Install this product according to the installation instructions.

## Features

- Vitreous China.
- AquaPiston® Flushing system.
- Includes left-hand polished chrome trip lever.
- 1.28 gpf (4.8 lpf).
- Less supply line.
- Combines with the K-4144 Bowl to create a complete K-3814 Corbelle™ toilet

## Optional Accessories

K-1954 Touchless Toilet Flush Kit

## Components

Additional included component/s: Tank Cover, Trip Lever, and Hardware kit..



## Codes/Standards

ASME A112.19.2/CSA B45.1

See website for detailed warranty information.

## Available Color/Finishes

*Color tiles intended for reference only.*

Color	Code	Description
-------	------	-------------

	0	White
--	---	-------

No image available.  
This product is a component and not intended to be a standalone installation.

## **Technical Information**

All product dimensions are nominal.

## **Notes**

Install this product according to the installation instructions.

## Features

- Hybrid heater provides continuously heated water for consistent comfort.
- Stainless steel wand with automatic UV-light self-sanitization.
- Sleek, handheld remote control with two programmable user presets.
- LED lighting illuminates the bowl to serve as a nightlight.
- Heated seat with five temperature settings.
- Front and rear wash modes provide warm water for cleansing.
- Adjustable water temperature and water pressure.
- Quiet-Close™ lid closes slowly and quietly without slamming.
- Quick-Release™ hinges allow seat to be unlatched from toilet for easy removal and convenient cleaning; no tools required.
- Toilet seats are not returnable to Kohler Co. if opened or outside of original packaging.

## Material

- Plastic.

## Installation

- Requires connection to toilet water supply line. All hoses and connections are included.

## Recommended Products/Accessories

K-3814 Skirted Trapway Two-Piece Toilet  
K-3814-RA Skirted Trapway Two-Piece Toilet  
K-5172 Comfort Height® Toilet  
K-5172-RA Comfort Height® Toilet  
K-3551 Comfort Height® Toilet  
K-3619 Comfort Height® Toilet  
K-3619-RA Comfort Height® Toilet

## Included Components

Additional Components:  
Inlet water supply hose  
Seat mounting bracket  
T-fitting



## Codes/Standards

ASME A112.4.2/CSA B45.16  
UL 1431  
CSA C22.2 No. 64  
CSA C22.2 No. 68

## KOHLER® Intelligent Toilet and C3® Cleansing Seat Three-Year Limited Warranty

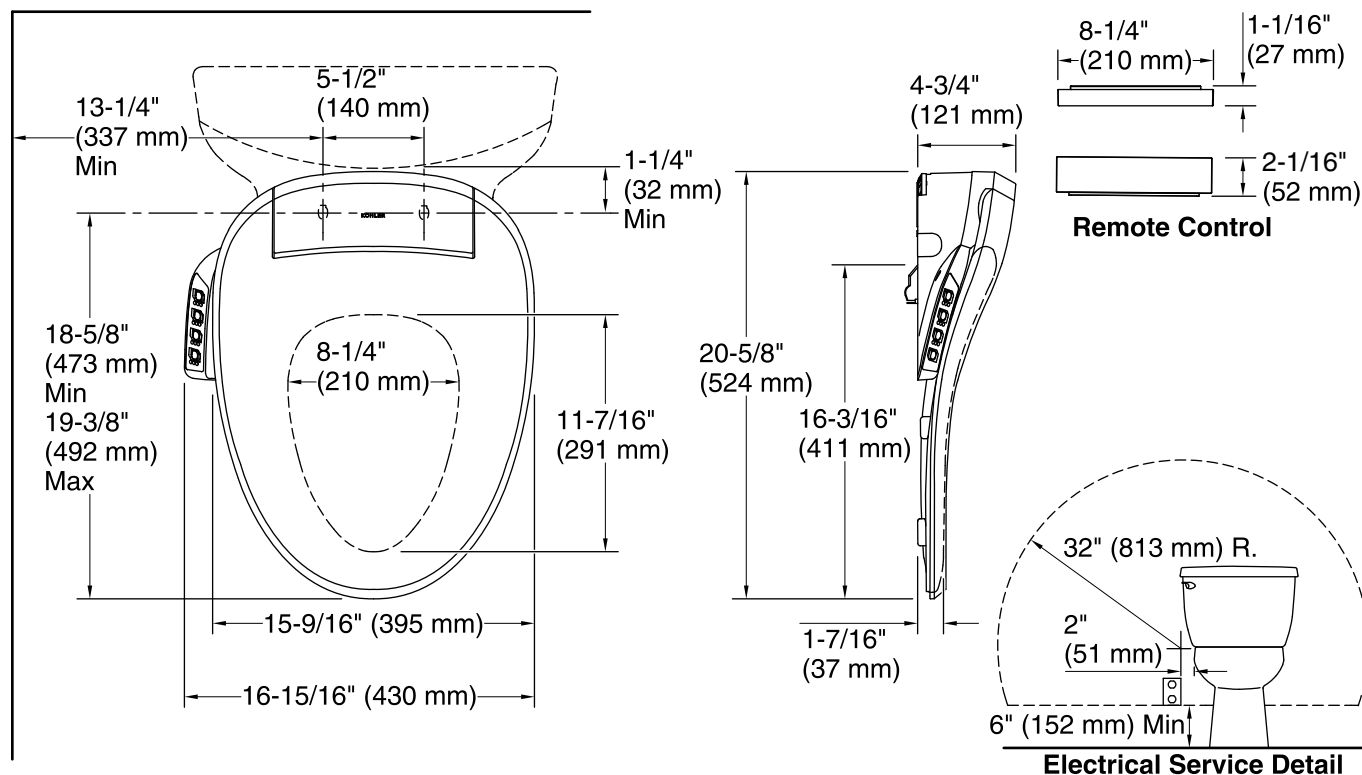
See website for detailed warranty information.

## Available Colors/Finishes

*Color tiles intended for reference only.*

Color	Code	Description
-------	------	-------------

	0	White
--	---	-------



## Required Electrical Service

One dedicated circuit required, protected with Class A Ground-Fault Circuit-Interrupter (GFCI). Outside North America, this device may be known as a Residual Current Device (RCD).  
 120 V, 15 A, 60 Hz

## Technical Information

All product dimensions are nominal.

Seat shape type: Elongated  
 Seat front type: Closed-front  
 Seat-mounting holes: 5-1/2" (140 mm)  
 Power cord length: 43" (1092 mm)

## Notes

- Install this product according to the installation instructions.
- Connect the seat to a cold water supply of drinking quality water at a pressure of 20 psi - 80 psi (139 kPa - 551 kPa).
- Do not install this seat in a location where: (1) water might be splashed on the product or (2) excessive moisture, high humidity levels, or condensation is present. This will avoid damage to the electronic components.
- Do not use an extension cord with this product.
- To avoid possible product malfunction, do not plug in the seat until instructed to do so.
- Locate the receptacle at least 6" (152 mm) above the floor, and within a 32" (813 mm) radius measured 2" (51 mm) from the bowl ledge.