



Corbelle™
Elongated Toilet Bowl
K-4144

Features

- Vitreous China.
- Comfort Height® Elongated bowl.
- Revolution 360™ Swirl Flushing Technology.
- 2-1/8" (54 mm) Fully glazed trapway.
- Patented ReadyLock™ Installation System.
- Combines with the K-4143 tank to create a complete K-3814 Corbelle™ toilet.

Optional Accessories

- K-7637 Angle Supply with Stop (single)
- K-4008 Toilet Seat
- K-4108 Toilet Seat with Cleansing Functionality

Components

Additional included component/s: ReadyLock™ installation system.



Codes/Standards


ASME A112.19.2/CSA B45.1

See website for detailed warranty information.

Available Color/Finishes

Color tiles intended for reference only.

Color Code Description

	0	White
--------------------------------------------------------------------------------------	---	-------

No image available.

This product is a component and not intended to be a standalone installation.

Technical Information

All product dimensions are nominal.

Notes

Install this product according to the installation instructions.

Features

- Vitreous China.
- AquaPiston® Flushing system.
- Includes left-hand polished chrome trip lever.
- 1.28 gpf (4.8 lpf).
- Less supply line.
- Combines with the K-4144 Bowl to create a complete K-3814 Corbelle™ toilet

Optional Accessories

K-1954 Touchless Toilet Flush Kit

Components

Additional included component/s: Tank Cover, Trip Lever, and Hardware kit..



Codes/Standards

ASME A112.19.2/CSA B45.1

See website for detailed warranty information.

Available Color/Finishes

Color tiles intended for reference only.

Color	Code	Description
-------	------	-------------

	0	White
--------------------------------------------------------------------------------------	---	-------

No image available.

This product is a component and not intended to be a standalone installation.

Technical Information

All product dimensions are nominal.

Notes

Install this product according to the installation instructions.

Features

- Hybrid heater provides continuously heated water for consistent comfort.
- Stainless steel wand with automatic UV-light self-sanitization.
- Front and rear wash modes provide warm water for cleansing.
- Adjustable water temperature and water pressure.
- Quiet-Close™ lid closes slowly and quietly without slamming.
- Quick-Release™ hinges allow seat to be unlatched from toilet for easy removal and convenient cleaning; no tools required.

Material

- Plastic

Installation

- Dedicated electrical GFCI circuit required (120V, 15A, 60Hz, 1800W).
- Requires connection to toilet water supply line. All hoses and connections are included. Additional included components: T-fitting, inlet water supply hose, and seat mounting bracket.
- Requires Phillips screwdriver and adjustable wrench for installation.



Codes/Standards

ASME A112.4.2
UL 1431
CSA C22.2 No. 68

KOHLER® Intelligent Toilet and C3 Cleansing Seat Three-Year Limited Warranty

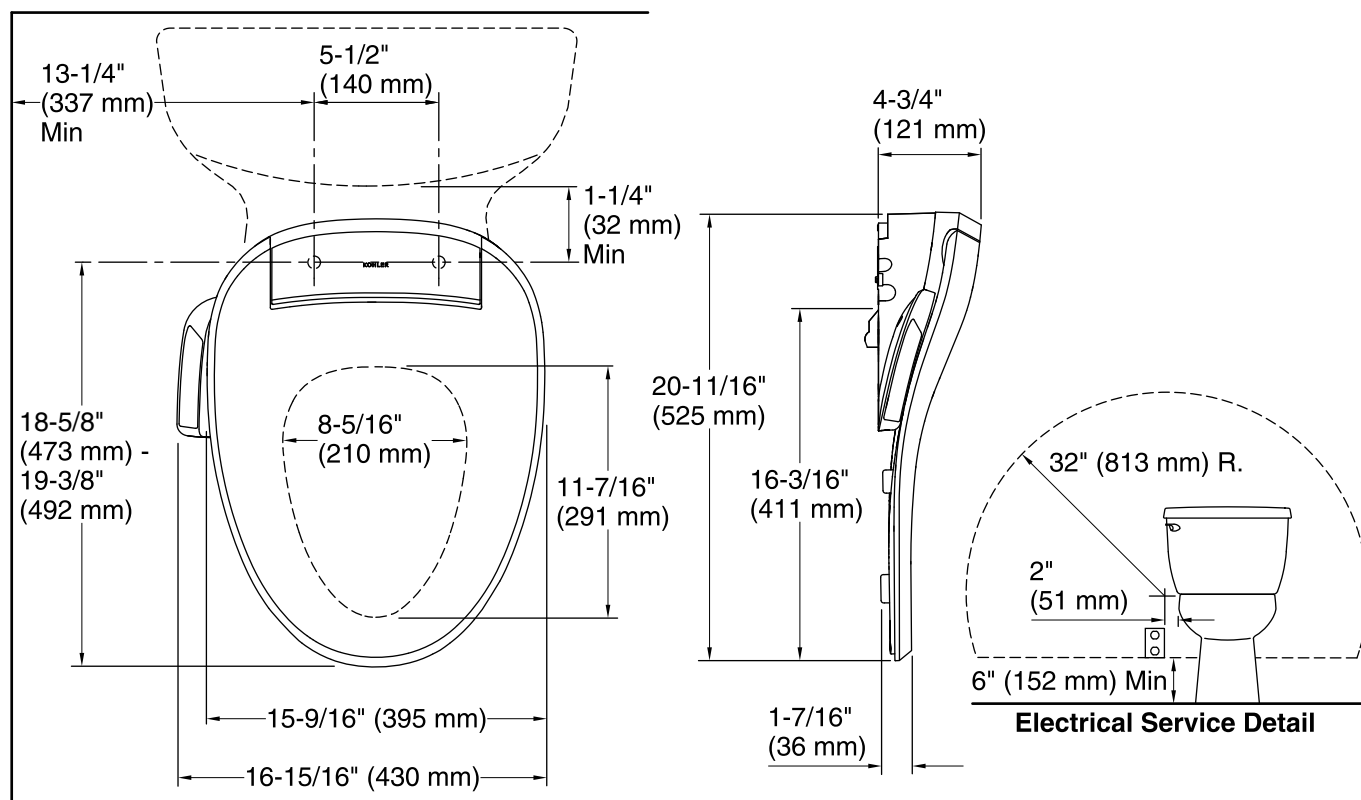
See website for detailed warranty information.

Available Color/Finishes

Color tiles intended for reference only.

Color	Code	Description
-------	------	-------------

	0	White
--------------------------------------------------------------------------------------	---	-------



Required Electrical Service

One dedicated circuit required, protected with Class A Ground-Fault Circuit-Interrupter (GFCI) or Residual Current Device (RCD).

120 V, 15 A, 60 Hz

Technical Information

All product dimensions are nominal.

Seat-mounting holes: 5-1/2" (140 mm)

Power cord length: 43" (1092 mm)

Notes

Install this product according to the installation guide.

Connect the seat to a cold water supply of drinking quality water at a pressure of 20 psi - 80 psi (139 kPa - 551 kPa).

Do not install this seat in a location where: (1) water might be splashed on the product or (2) excessive moisture, high humidity levels, or condensation is present. This will avoid damage to the electronic components.

Do not use an extension cord with this product.

To avoid possible product malfunction, do not plug in the seat until instructed to do so.

Locate the receptacle at least 6" (152 mm) above the floor, and within a 32" (813 mm) radius measured 2" (51 mm) from the bowl ledge.