

**Record your model number below for future reference:**

Observe all local plumbing and building codes.

**Noter le numéro de modèle ci-dessous pour référence ultérieure:**

Respecter tous les codes de plomberie et de bâtiment locaux.

**Anote abajo el número de su modelo como referencia futura:**

Cumpla todos los códigos locales de plomería y de construcción.

For service parts information, visit [www.kohler.com/serviceparts](http://www.kohler.com/serviceparts).

For care and cleaning and other information, visit [www.us.kohler.com](http://www.us.kohler.com).

Pour tout renseignement sur les pièces de rechange, visitez [www.kohler.com/serviceparts](http://www.kohler.com/serviceparts).

Pour tout renseignement sur l'entretien, le nettoyage et autre, visitez [www.us.kohler.com](http://www.us.kohler.com).

Para consultar información sobre piezas de repuesto, visite [www.kohler.com/serviceparts](http://www.kohler.com/serviceparts).

Para consultar información de cuidado y limpieza y de otro tipo, visite [www.us.kohler.com](http://www.us.kohler.com).

**WARNING: Risk of property or product damage.**

Do not use in-tank cleaners. Products containing chlorine (calcium hypochlorite) can damage fittings in the tank. This damage can cause leakage and property damage.

**ADVERTISSEMENT: Risque de dommages matériel ou d'endommagement du produit.**

Ne pas utiliser de nettoyeurs pour l'intérieur du réservoir. Les produits contenant du chlore (hypochlorite de calcium) peuvent endommager les raccords dans le réservoir. Ceci peut créer des fuites et des dommages matériels.

**ADVERTENCIA: Riesgo de daños al producto o a la propiedad.**

No utilice productos para limpiar que se colocan dentro del tanque. Los productos que contienen cloro (hipoclorito de calcio) pueden dañar las piezas en el tanque.

**CAUTION: Risk of personal injury.**

Vitreous china can break and chip. Handle vitreous china products very carefully. Do not overtighten bolts and nuts.

**ATTENTION: Risque de blessures.**

La porcelaine vitrifiée peut se briser et s'écailler. Manipuler les produits en porcelaine vitrifiée avec extrême précaution. Ne pas serrer les boulons et les écrous excessivement.

**PRECAUCIÓN: Riesgo de lesiones personales.**

La porcelana vitrificada se puede romper y despostrar. Maneje con cuidado los productos de porcelana vitrificada. No apriete demasiado los pernos ni las tuercas.

**1** Remove the old toilet, T-bolts, and wax ring. Inspect and repair the water supply and waste flange. If the toilet will not be installed right away, temporarily plug the waste flange with a rag.

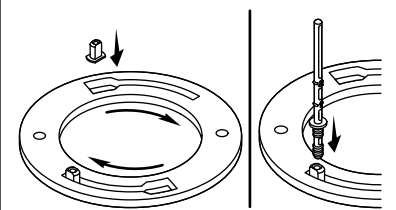
Retirer l'ancienne toilette, les boulons en T, et l'anneau de cire. Inspecter et réparer l'alimentation en eau et la bride d'évacuation. Si la toilette n'est pas installée immédiatement, boucher temporairement la bride d'évacuation avec un chiffon.

Retire el inodoro anterior, los pernos en T y el anillo de cera. Revise y repare el suministro de agua y la brida de drenaje. Si el inodoro no va a ser instalado de inmediato, tape temporalmente la brida de drenaje con un trapo.

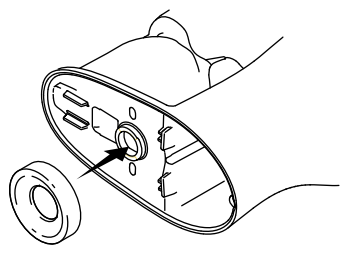
**2** Insert the nuts in the flange. Insert a depth gauge firmly into each nut.

Insérer les écrous dans la bride. Insérer fermement une jauge d'épaisseur dans chaque écrou.

Introduzca las tuercas en la brida. Introduzca con firmeza un calibrador de profundidad dentro de cada tuerca.



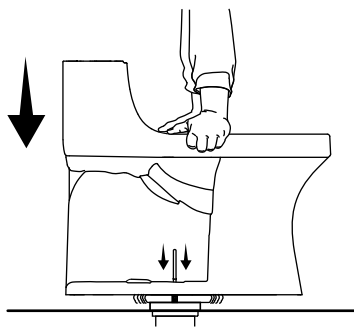
**3** Install the wax ring. Install the bague de cire. Instale el anillo de cera.



**4** Carefully lower the toilet onto the flange, holes aligned with the depth gauges.

Abaisser avec précaution la toilette sur la bride, trous alignés avec les jauges d'épaisseur.

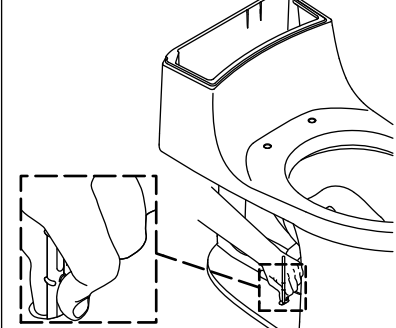
Baje con cuidado el inodoro a la brida, con los orificios alineados a los calibradores de profundidad.



**5** Grip the depth gauge even with the top edge of the hole.

Tenir la jauge d'épaisseur à égalité du bord supérieur du trou.

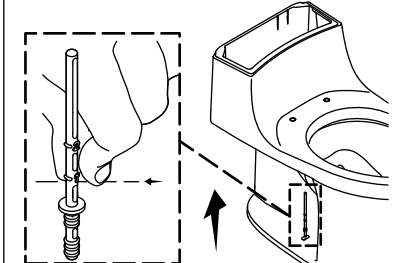
Sujete el calibrador de profundidad parejo con el borde superior del orificio.



**6** Keeping your fingers in place, remove the depth gauges. Note the location of your fingers.

Garder les doigts en place et retirer les jauges d'épaisseur. Noter l'emplacement des doigts.

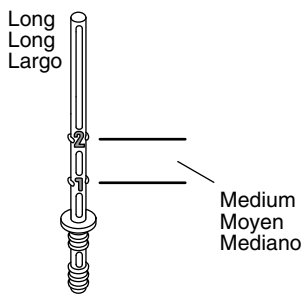
Sin mover los dedos de donde están, retire los calibradores de profundidad. Fíjese en dónde quedan sus dedos.



**7** If your fingers were above #2 use the long bolt or between #2 and #1 use the medium bolt.

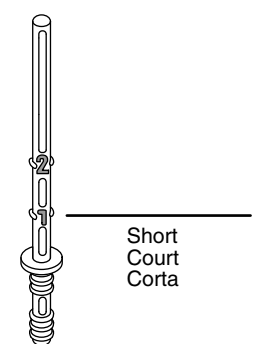
Si les doigts étaient au-dessus du no. 2, utiliser le boulon long, ou s'ils étaient entre le no. 2 et le no. 1, utiliser le boulon moyen.

Si sus dedos están sobre el #2 use el perno largo, y si están entre el #2 y el #1 use el perno mediano.



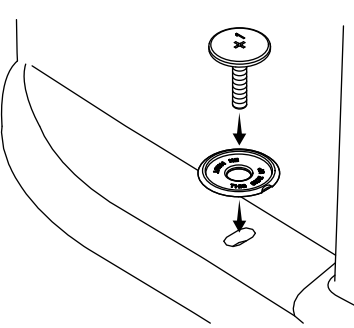
**8** If your fingers were below #1 use the short bolt.

Si les doigts étaient au-dessous du no. 1, utiliser le boulon court. Si sus dedos están más abajo del #1 use el perno corto.



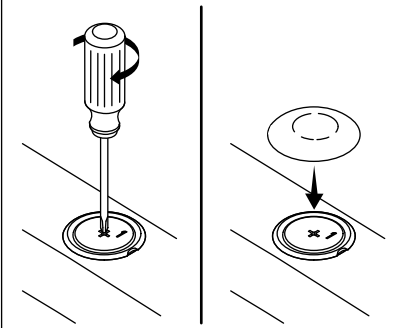
**9** Install the washers and bolts.

Installer les rondelles et les boulons. Instale las arandelas y los pernos.



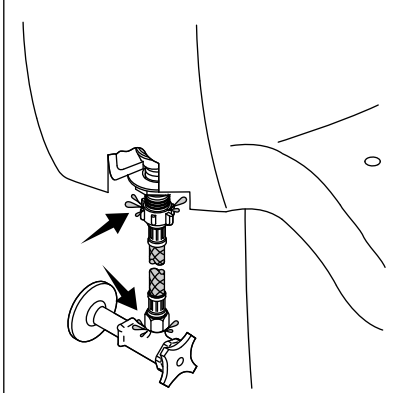
**10** Tighten the bolts. Install the cap.

Serrer les boulons. Installer le capuchon. Apriete los pernos. Instale la tapa.



**11** Connect the water supply. Check for leaks.

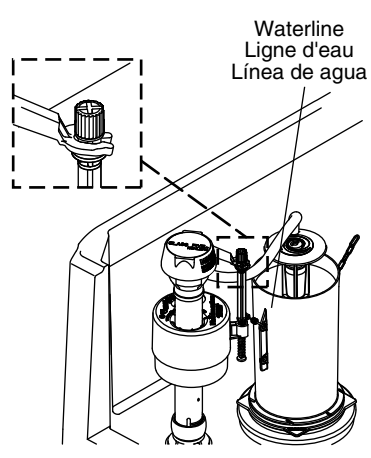
Connecter l'alimentation en eau. Rechercher des fuites. Conecte el suministro de agua. Verifique que no haya fugas.



**12** Adjust the water level. Flush the toilet.

Ajuster le niveau d'eau. Passer la chasse.

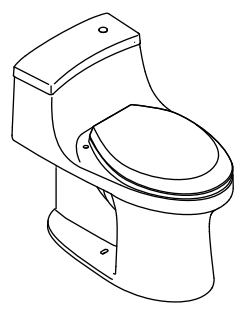
Ajuste el nivel de agua. Accione la descarga del inodoro.



**13** Install the seat following the seat instructions.

Installer le siège conformément aux instructions du fabricant.

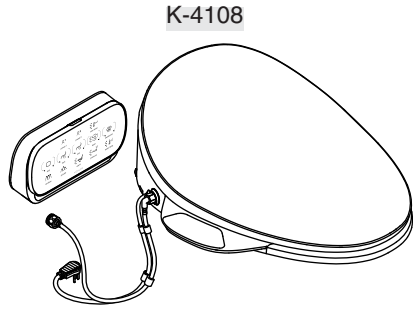
Instale el asiento de acuerdo a las instrucciones para el asiento.



<p><b>Need help?</b> Contact the KOHLER Customer Care Center at 1-800-4KOHLER (1-800-456-4537).</p> <p><b>For service parts information</b>, visit <a href="http://www.kohler.com/serviceparts">www.kohler.com/serviceparts</a>.</p> <p><b>For care and cleaning</b> and other information, visit <a href="http://www.us.kohler.com">www.us.kohler.com</a>.</p>	<p><b>Besoin d'aide?</b> Appeler le centre de services à la clientèle de KOHLER au 1-800-4KOHLER (1-800-456-4537).</p> <p><b>Pour tout renseignement sur les pièces de rechange</b>, visitez <a href="http://www.kohler.com/serviceparts">www.kohler.com/serviceparts</a>.</p> <p><b>Pour tout renseignement sur l'entretien, le nettoyage</b> et autre, visitez <a href="http://www.us.kohler.com">www.us.kohler.com</a>.</p>	<p><b>¿Necesita ayuda?</b> Comuníquese con el Centro de Atención al Cliente de KOHLER al 1-800-4KOHLER (1-800-456-4537).</p> <p><b>Para consultar información sobre piezas de repuesto</b>, visite <a href="http://www.kohler.com/serviceparts">www.kohler.com/serviceparts</a>.</p> <p><b>Para consultar información de cuidado y limpieza</b> y de otro tipo, visite <a href="http://www.us.kohler.com">www.us.kohler.com</a>.</p>
<p><b>ONE-YEAR LIMITED WARRANTY</b></p> <p>KOHLER plumbing products are warranted to be free of defects in material and workmanship for one year from date of installation.</p> <p>Kohler Co. will, at its election, repair, replace or make appropriate adjustment where Kohler Co. inspection discloses any such defects occurring in normal usage within one (1) year after installation. Kohler Co. is not responsible for removal or installation costs. <b>Use of in-tank toilet cleaners will void the warranty.</b></p> <p>To obtain warranty service contact Kohler Co. either through your Dealer, Plumbing Contractor, Home Center or E-tailer, or by writing Kohler Co., Attn.: Customer Care Center, 444 Highland Drive, Kohler, WI 53044, USA, or by calling 1-800-4-KOHLER (1-800-456-4537) from within the USA and Canada, and 001-800-456-4537 from within Mexico, or visit <a href="http://www.kohler.com">www.kohler.com</a> within the USA, <a href="http://www.ca.kohler.com">www.ca.kohler.com</a> from within Canada, or <a href="http://www.mx.kohler.com">www.mx.kohler.com</a> in Mexico.</p> <p><b>IMPLIED WARRANTIES INCLUDING THAT OF MERCHANTABILITY AND FITNESS FOR A PARTICULAR PURPOSE ARE EXPRESSLY LIMITED IN DURATION TO THE DURATION OF THIS WARRANTY. KOHLER CO. AND/OR SELLER DISCLAIM ANY LIABILITY FOR SPECIAL, INCIDENTAL OR CONSEQUENTIAL DAMAGES.</b> Some states/provinces do not allow limitations on how long an implied warranty lasts, or the exclusion or limitation of special, incidental or consequential damages, so these limitations and exclusions may not apply to you. This warranty gives you specific legal rights. You may also have other rights which vary from state/province to state/province.</p> <p><b>This is Kohler Co.'s exclusive written warranty.</b></p> <p>USA/Canada: 1-800-4KOHLER Mexico: 001-800-456-4537 <a href="http://www.kohler.com">www.kohler.com</a></p>	<p><b>GARANTIE LIMITÉE D'UN AN</b></p> <p>Les produits de plomberie KOHLER sont garantis contre tout vice de matériau et de fabrication pendant un an à partir de la date de l'installation.</p> <p>Si un vice est découvert au cours d'une utilisation normale, Kohler Co. choisira, à sa discrétion, la réparation, le remplacement ou la rectification appropriée après inspection desdits vices par Kohler Co. pendant un (1) an à partir de la date d'installation. Kohler Co. n'est pas responsable des frais d'enlèvement ou d'installation. <b>L'utilisation de nettoyeurs à l'intérieur du réservoir annule la garantie.</b></p> <p>Pour obtenir le service de garantie, contactez Kohler Co., par l'intermédiaire du vendeur, plombier, centre de rénovation ou revendeur par internet, ou bien par écrit à l'adresse suivante Kohler Co., Attn.: Customer Care Center, 444 Highland Drive, Kohler, WI 53044, USA, ou en appelant le 1-800-4-KOHLER (1-800-456-4537) à partir des É.-U. et du Canada, et le 001-800-456-4537 à partir du Mexique, ou consulter le site <a href="http://www.kohler.com">www.kohler.com</a> aux É.-U., <a href="http://www.ca.kohler.com">www.ca.kohler.com</a> à partir du Canada, ou <a href="http://www.mx.kohler.com">www.mx.kohler.com</a> au Mexique.</p> <p><b>LES GARANTIES TACITES, Y COMPRIS CELLES DE COMMERCIALITÉ ET D'ADAPTATION À UN USAGE PARTICULIER, SONT EXPRESSÉMENT LIMITÉE À LA DURÉE DE LA PRÉSENTE GARANTIE. KOHLER CO. ET/OU LE REVENDEUR DÉCLINENT TOUTE RESPONSABILITÉ CONTRE LES DOMMAGES PARTICULIERS, ACCESSOIRES OU INDIRECTS.</b> Certains états et provinces ne permettent pas de limite sur la durée de la garantie tacite, ni l'exclusion ou la limite des dommages particuliers, accessoires ou indirects, et, par conséquent, lesdites limites et exclusions peuvent ne pas s'appliquer à votre cas. Cette garantie vous donne des droits juridiques particuliers. Vous pouvez également avoir d'autres droits qui varient d'un état ou d'une province à l'autre.</p> <p><b>Ceci constitue la garantie écrite exclusive de Kohler Co.</b></p>	<p><b>GARANTÍA LIMITADA DE UN AÑO</b></p> <p>Se garantizan los productos de plomería KOHLER contra defectos de material y mano de obra durante un año a partir de la fecha de instalación.</p> <p>Kohler Co., a su criterio, reparará, reemplazará o realizará los ajustes pertinentes en los casos en que la inspección realizada por Kohler Co. determine que dichos defectos hayan ocurrido durante el uso normal en el transcurso de un (1) año a partir de la fecha de instalación. Kohler Co. no se hace responsable de costos de desinstalación o de instalación. <b>El uso de limpiadores de inodoro que se colocan dentro del tanque anula la garantía.</b></p> <p>Para obtener el servicio de garantía, comuníquese con Kohler Co. a través de su distribuidor, contratista de plomería, centro de remodelación o distribuidor por Internet, o escriba a Kohler Co., Atención: Centro de Atención al Cliente, 444 Highland Drive, Kohler, WI 53044, EE.UU., o llame al 1-800-4-KOHLER (1-800-456-4537) desde los EE.UU. y Canadá, o al 001-800-456-4537 desde México, o visite <a href="http://www.kohler.com">www.kohler.com</a> desde los EE.UU., <a href="http://www.ca.kohler.com">www.ca.kohler.com</a> desde Canadá, o <a href="http://www.mx.kohler.com">www.mx.kohler.com</a> en México.</p> <p><b>TODA GARANTÍA IMPLÍCITA, INCLUIDA LA DE COMERCIALIZACIÓN E IDONEIDAD DEL PRODUCTO PARA UN USO DETERMINADO, SE LIMITA EXPRESAMENTE A LA DURACIÓN DE ESTA GARANTÍA. KOHLER CO. Y/O EL VENDEDOR DESCARGAN TODA RESPONSABILIDAD POR CONCEPTO DE DAÑOS PARTICULARES, INCIDENTALES O INDIRECTOS.</b> Algunos estados/provincias no permiten limitaciones en cuanto a la duración de una garantía implícita o a la exclusión o limitación de daños particulares, incidentales o indirectos, por lo que es posible que estas limitaciones y exclusiones no se apliquen a su caso. Esta garantía le otorga ciertos derechos legales específicos. Además, usted también puede tener otros derechos que varían de estado a estado y de provincia a provincia.</p> <p><b>Esta es la garantía exclusiva por escrito de Kohler Co.</b></p>

# Installation Guide

## Bidet Seat with Remote Control



**M** product numbers are for Mexico (i.e. K-12345**M**)  
Los números de productos seguidos de  
**M** corresponden a México (e.j.  
K-12345**M**)  
Français, page "Français-1"  
Español, pagina "Español-1"

THE BOLD LOOK  
OF **KOHLER**®

1194356-2-A

# Important User Information

## READ ALL INSTRUCTIONS BEFORE INSTALLING THIS PRODUCT

**IMPORTANT! Risk of product damage.** Do not supply electrical power to the unit until the plumbing installation work has been completed; it could cause the product to malfunction.

**NOTE:** The thermal protectors may trip during storage or transportation in warm weather causing the unit to not operate. Allow the unit to cool to room temperature before installation or operation.

### Grounding Instructions

- This product should be grounded. In the event of an electrical short circuit, grounding reduces the risk of electric shock by providing an escape wire for the electric current. This product is equipped with a cord having a grounding wire with a grounding plug. The plug must be plugged into an outlet that is properly installed and grounded.



**DANGER: Risk of electric shock.** Improper use of the grounding plug can result in a risk of electric shock.

- If repair or replacement of the cord or plug is necessary, do not connect the grounding wire to either flat blade terminal. The wire with insulation having an outer surface that is green with or without yellow stripes is the grounding wire.
- Check with a qualified electrician or service personnel if the grounding instructions are not completely understood, or if in doubt as to whether the product is properly grounded.

## Tools and Materials



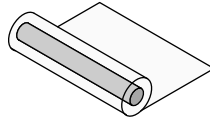
Pencil



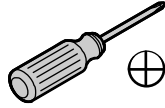
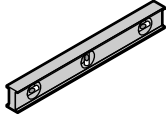
Adjustable  
Wrench



1/16", 1/4"



Plastic Wrap



## Before You Begin



**WARNING: Risk of electric shock, fire, or personal injury.** This product must be grounded. Connect only to a dedicated 120 VAC, 60 Hz circuit protected by a minimum 15 A Ground-Fault Circuit-Interrupter (GFCI) or Residual Current Device (RCD).



**WARNING: Risk of electric shock.** Do not immerse or flush the product with water.



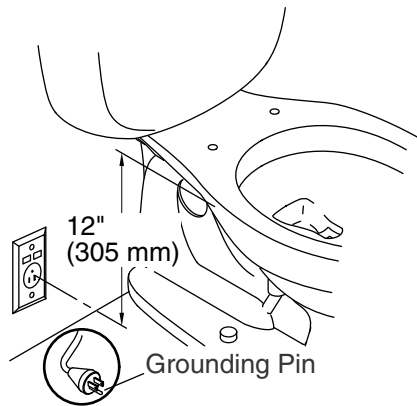
**CAUTION: Risk of property damage.** Damaged water connections may leak. Do not push or pull on the water connection between the seat and the water supply stop.

**NOTICE:** To avoid possible product malfunction, do not plug in the seat until instructed to do so.

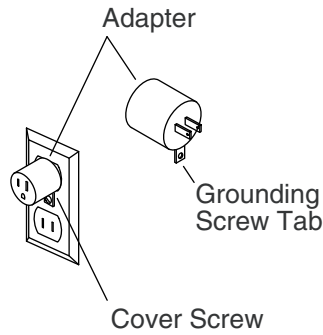
**NOTICE:** Do not install this seat in a location where: (1) water might be splashed on the product or (2) excessive moisture, high humidity levels, or condensation are present. This will avoid damage to the electronic components.

**NOTICE:** Do not use an extension cord with this product.

- Observe all local plumbing, electrical, and building codes.
- Only connect the seat to a cold water supply of drinking quality water at a pressure of 20 (139 kPa) - 80 psi (551 kPa).



**Preferred Connection**



**Temporary Connection**

## 1. Install the Electrical Outlet



**WARNING: Risk of electric shock, fire, or personal injury.**

This product must be grounded and connected only to a dedicated, nominal 120 VAC, 60 Hz circuit protected by a minimum 15 A Ground-Fault Circuit-Interrupter (GFCI) or Residual Current Device (RCD).

**NOTICE:** This product is factory equipped with a specific electrical cord and plug to permit connection to a proper electric circuit. Make sure that the product is connected to an outlet having the same configuration as the plug. Do not modify the plug provided – if it will not fit the outlet, have the proper outlet installed by a qualified electrician. If the product must be reconnected for use on a different type of electric circuit, the connection should be made by qualified service personnel.

**NOTICE:** Consult your local electrical codes before determining the connection type and the electrical outlet location. The temporary connection may not be permitted by local electrical codes and the electrical outlet location may be specified.

**NOTICE:** To avoid possible product malfunction, do not plug in the seat until instructed to do so.

### **Preferred Connection**

**NOTE:** Do not use an extension cord.

### **Install the Electrical Outlet (cont.)**

- Determine the electrical outlet location. Locate the electrical outlet within 12" (305 mm) of the toilet.

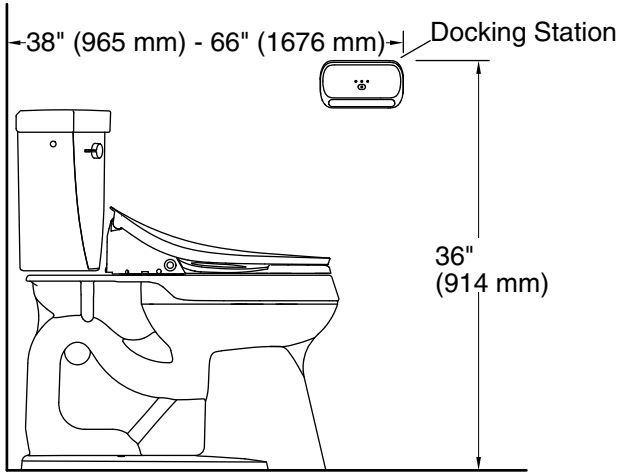
**IMPORTANT!** Do not plug the seat into the electrical outlet at this time.

- Install and ground the electrical outlet. This electrical outlet must be a dedicated, nominal 120 VAC, 60 Hz circuit protected by a minimum 15 A Ground-Fault Circuit-Interrupter (GFCI) or Residual Current Device (RCD).

### **Temporary Connection**

**NOTICE:** Unless the outlet cover screw is grounded through the house wiring, attaching the adapter grounding screw tab to the cover screw will NOT ground the unit. If there is any doubt whether the cover screw is grounded, have it checked by a qualified electrician or service professional.

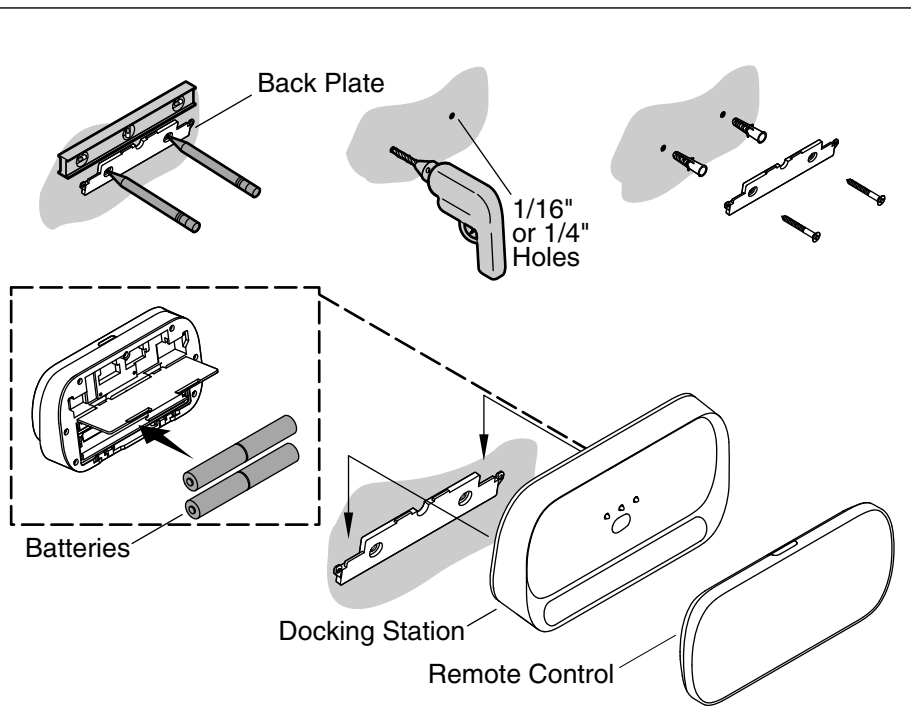
- A temporary connection with a two-prong adapter may be made where local codes permit, provided the adapter is grounded.



## 2. Site Preparation

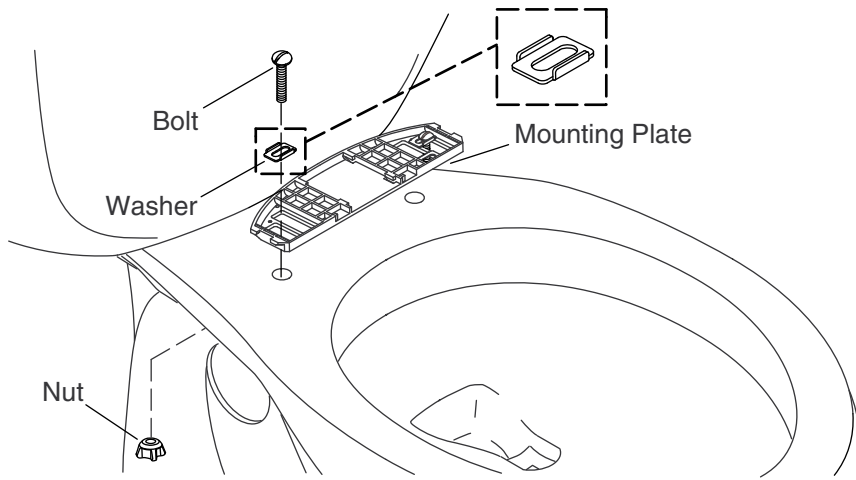
- If applicable, remove the existing toilet seat.
- Turn off the water supply to the toilet.
- Flush the toilet to relieve any pressure from the water supply hoses.
- Disconnect the water supply hose from the toilet fill valve.
- Determine the installation location for the remote control docking station.





### 3. Install the Docking Station

- Position the back plate at the desired mounting location.
- Confirm the back plate is level.
- Using a pencil, mark the two mounting hole locations. Set the back plate aside.
- **For installation into a stud or other wood surface:** Drill a 1/16" hole at each of the marked locations.
- **For installation using wall anchors:** Drill a 1/4" hole at each of the marked locations. Install the wall anchors into the holes.
- Remove the adhesive strip cover on the back plate.
- Position the back plate over the anchors or marks, adhesive side toward the wall. Secure the back plate with the screws.
- Open the battery compartment. Install four AA batteries in the compartment in the back of the docking station.
- Position the docking station on the back plate.
- Position the remote control on the docking station.



#### 4. Install the Mounting Plate

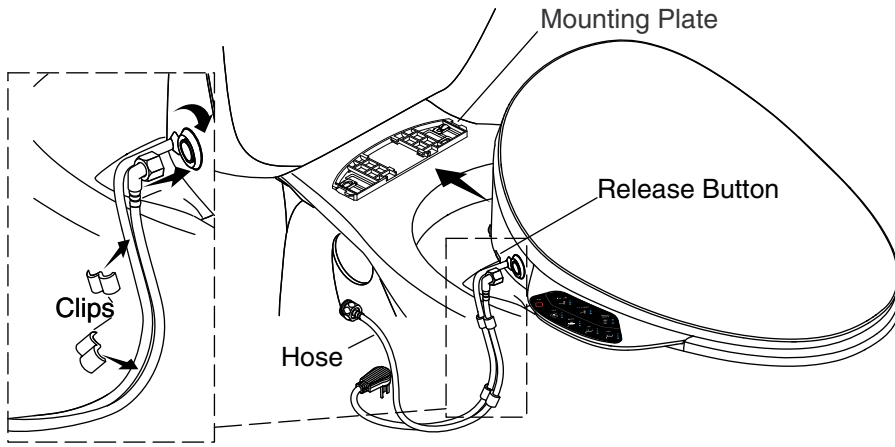
**NOTE:** Inspect the toilet seat mounting holes for threaded inserts. Follow the steps applicable to your mounting hole type.

##### **For Toilets with Threaded Inserts**

- Position the mounting plate over the mounting holes on the bowl.
- Insert a bolt through each washer.
- Insert each bolt through the mounting plate and mounting hole, into the threaded inserts.
- Position the washers to rest in the grooves of the mounting plate.
- Loosely thread the bolts into the inserts. The bolt must be loose enough to allow the seat to be adjusted.

##### **For All Other Installations**

- Position the mounting plate over the mounting holes on the bowl.
- Insert each bolt through the mounting plate and into the mounting holes.
- Position the washers to rest in the grooves of the mounting plate.
- Loosely thread a nut onto each of the bolts. The nut must be loose enough to allow the seat to be adjusted.



## 5. Install the Seat and Hose

### Position the Seat

- Slide the seat onto the mounting plate until you feel it snap into place.
- Check the positioning of the seat. Adjust the position if needed.

### Adjust the Seat

- To adjust the seat position, remove the seat by pressing the release button in and sliding the seat forward.
- Reposition the mounting plate as needed.

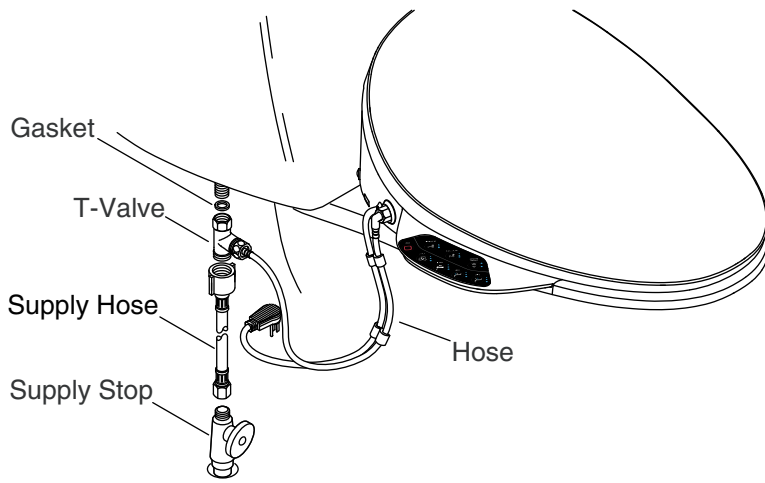
### Install the Seat

- Securely tighten the mounting plate bolts.
- Install the seat.

### Install the Hose

**IMPORTANT! Risk of product damage.** Do not cross-thread the hose-to-seat connection.

- Connect the supply hose to the bidet seat. Do not overtighten.
- Use the supplied clips to attach the power cord and supply hose to each other.



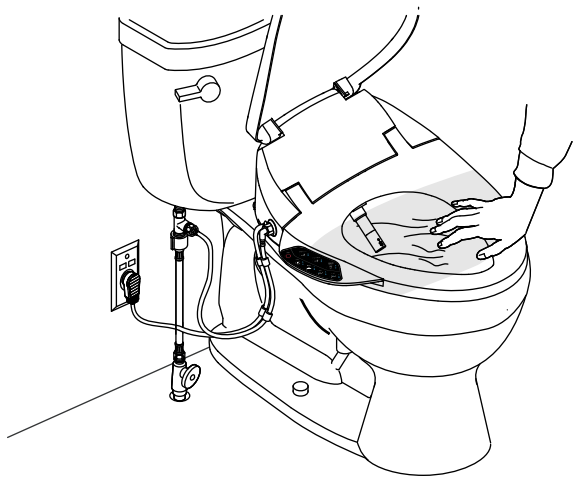
## 6. Connect the Water Supply



**CAUTION: Risk of property damage.** Do not push or pull on the water connection between the seat and the water supply stop. This will prevent water leakage.

**NOTICE:** Use care to avoid cross threading or overtightening the connections. Use an adjustable wrench to tighten one-quarter turn past hand-tight.

- Connect the T-valve to the bidet hose.
- If needed, connect the supply hose to the supply stop.
- Connect the supply hose to the T-valve.
- Confirm the gasket is in place in the T-valve. Install if needed.
- Connect the T-valve to the water inlet on the toilet tank.
- Turn on the water supply.
- Check all connections for leaks and make any adjustments as needed.



## 7. Installation Checkout

- Plug the power cord into the electrical outlet. The seat will go through a power-up sequence, during which you will hear the tank fill. The seat will go silent when the power-up is complete.

**NOTE:** You may also test the functions while sitting on the bidet seat or covering the wand with your hand. Covering the seat with plastic wrap is optional.

- Wrap the toilet seat with plastic wrap. This will prevent water from spraying from the toilet during testing.
- Face the toilet, then place your hand or a damp wash cloth on the right side of the seat approximately one-third the way back from the front of the seat (as illustrated).
- Proceed to the "Using the Manual Controls" and "Using the Remote Control" sections in the Homeowners Guide to test the various seat functions.

# Guide d'installation

## Siège de bidet avec télécommande

### Renseignements importants

#### LIRE TOUTES LES INSTRUCTIONS AVANT D'INSTALLER CE PRODUIT

**IMPORTANT! Risque d'endommagement du produit.** Ne pas fournir d'alimentation électrique au dispositif avant d'avoir effectué le travail d'installation de la plomberie; ceci pourrait créer des problèmes de fonctionnement.

**REMARQUE:** Les protecteurs thermiques pourraient se déclencher pendant l'entreposage ou le transport par temps chaud, et le dispositif ne fonctionnera pas. Laisser le dispositif se refroidir à la température ambiante avant de l'installer ou de l'utiliser.

#### Instructions de mise à la terre

- Ce produit doit être mis à la terre. En cas de court-circuit, la mise à la terre réduit le risque d'électrocution en apportant un câble d'échappement pour le courant électrique. Ce produit est équipé d'un cordon muni d'un câble de mise à la terre avec une fiche de mise à la terre. Cette fiche doit être branchée dans une prise correctement installée et mise à la terre.



**DANGER: Risque de choc électrique.** L'utilisation incorrecte de la fiche de mise à la terre peut résulter en risque de choc électrique.

- Si la réparation ou le remplacement de la corde ou de la fiche est nécessaire, ne pas brancher le câble de mise à la terre au terminal à lame plate. Le câble avec isolation dont l'extérieur est vert avec ou sans rayures jaunes est le câble de mise à la terre.
- Vérifier auprès d'un électricien qualifié ou dépanneur en cas de doute par rapport aux instructions de mise à la terre ou à la bonne mise à la terre du produit.

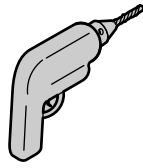
## Outils et matériaux



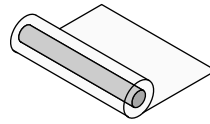
Crayon



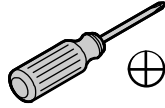
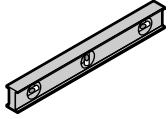
Clé  
à molette



1/16", 1/4"



Film plastique  
étirable



## Avant de commencer



**AVERTISSEMENT: Risque de choc électrique, d'incendie, ou de blessures corporelles.** Ce produit doit être mis à la terre. Connecter uniquement à un circuit dédié de 120 V c.a., 60 Hz protégé par un disjoncteur de fuite de terre (GFCI) de 15 A ou par un appareil à courant résiduel (RCD).



**AVERTISSEMENT: Risque de choc électrique.** Ne pas immerger ou purger le produit avec de l'eau.



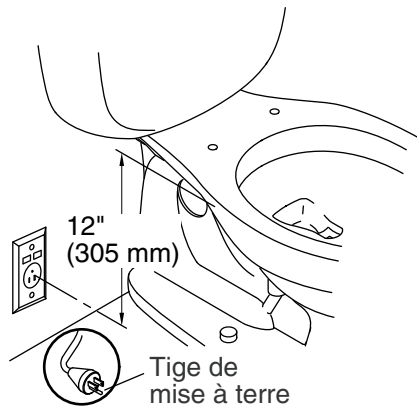
**ATTENTION: Risque de dommages matériels.** Des raccords d'eau endommagés peuvent fuir. Ne pas pousser sur le raccord d'eau entre le siège et le robinet d'arrêt d'arrivée d'eau et ne pas tirer dessus.

**AVIS:** Ne pas brancher le siège avant instruction spécifique, afin d'éviter la possibilité d'un mauvais fonctionnement.

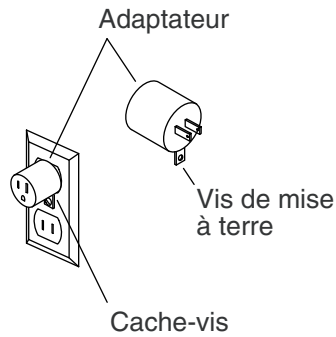
**AVIS:** Ne pas installer ce siège dans un emplacement où: (1) de l'eau peut éclabousser le produit ou (2) des niveaux d'humidité excessifs et élevés, ou une condensation sont présents. Ceci permettra d'éviter d'endommager les composants électroniques.

**AVIS:** Ne pas utiliser de cordon de rallonge avec ce produit.

- Respecter tous les codes électriques, de plomberie et de bâtiment locaux.
- Connecter seulement le siège à une arrivée d'eau froide fournissant de l'eau d'une qualité d'eau potable à une pression de 20 (139 kPa) à 80 psi (551 kPa).



**Connexion préférable**



**Connexion temporaire**

## 1. Installer la prise de courant



**AVERTISSEMENT: Risque de choc électrique, d'incendie, ou de blessures corporelles.** Ce produit doit être mis à la terre et connecté uniquement à un circuit nominal dédié de 120 V c.a., 60 Hz protégé par un disjoncteur de fuite de terre (GFCI) ou par un dispositif à courant résiduel (RCD) de 15 A minimum.

**AVIS:** Ce produit est équipé en usine avec un cordon et une fiche électriques spécifiques pour permettre le branchement à un circuit électrique adéquat. S'assurer que le produit est connecté à une prise de même configuration que celle de la fiche. Ne pas modifier la fiche fournie – si elle ne s'adapte pas à la prise, faire installer une prise adéquate par un électricien qualifié. Si le produit doit être rebranché pour être utilisé sur un circuit électrique différent, le branchement doit être effectué par un personnel qualifié.

**AVIS:** Consulter les codes électriques locaux avant de déterminer le type de connexion et l'emplacement de la prise électrique. Les codes électriques locaux peuvent ne pas autoriser de connexion temporaire et l'emplacement de la prise électrique pourrait être spécifié.

**AVIS:** Ne pas brancher le siège avant instruction spécifique, afin d'éviter la possibilité d'un mauvais fonctionnement.

### **Connexion préférable**

**REMARQUE:** Ne pas utiliser de rallonge.



### **Installer la prise de courant (cont.)**

- Déterminer l'emplacement de la prise électrique. Positionner la prise électrique dans un rayon de 12" (305 mm) de la toilette.

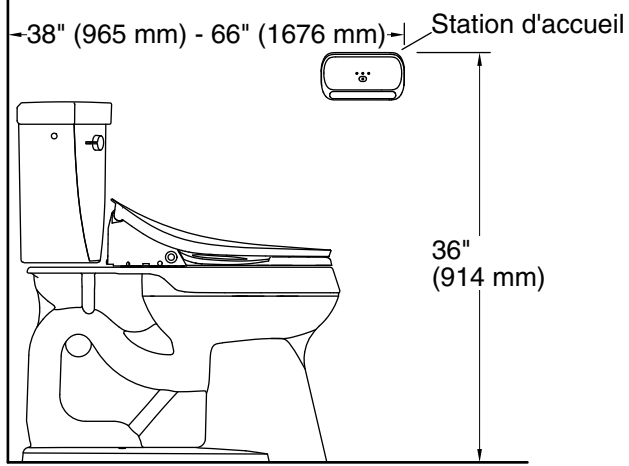
**IMPORTANT!** Ne pas brancher le siège dans la prise électrique à ce point.

- Installer la prise électrique et la mettre à la terre. Cette prise électrique doit être un circuit nominal dédié de 120 V c.a., 60 Hz protégé par un disjoncteur de fuite de terre (GFCI) ou par un dispositif à courant résiduel (RCD) de 15 A minimum.

### **Connexion temporaire**

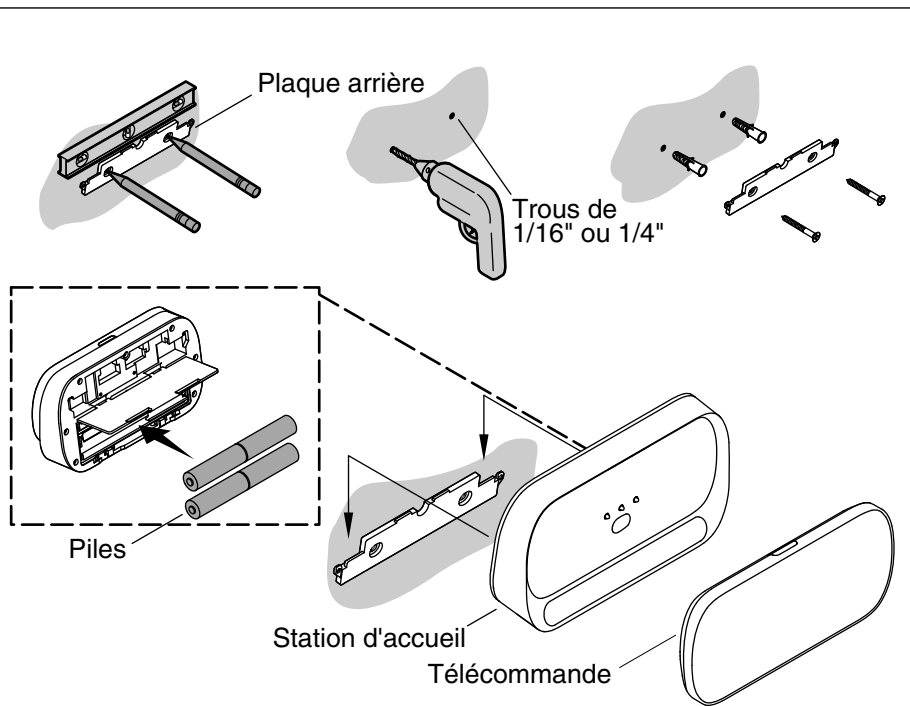
**AVIS:** À moins que la vis du couvercle de la prise ne soit mise à la terre à travers le câblage du logement, la fixation de la languette de la vis de mise à la terre de l'adaptateur ne met PAS l'appareil à la terre. En cas de doute quelconque quant à la mise à la terre de la vis du capuchon, demander à un électricien qualifié ou à un technicien professionnel de vérifier.

- Une connexion temporaire avec un adaptateur à deux broches peut être effectuée là où les codes locaux le permettent, ceci tant que l'adaptateur est mis à la terre.



## 2. Préparation du site

- Le cas échéant, retirer le siège de toilette existant.
- Couper l'arrivée d'eau vers la toilette.
- Passer la chasse pour relâcher toute pression des tuyaux d'arrivée d'eau.
- Déconnecter le tuyau d'arrivée d'eau de la vanne de remplissage de la toilette.
- Déterminer l'emplacement d'installation pour la station d'accueil de la télécommande.

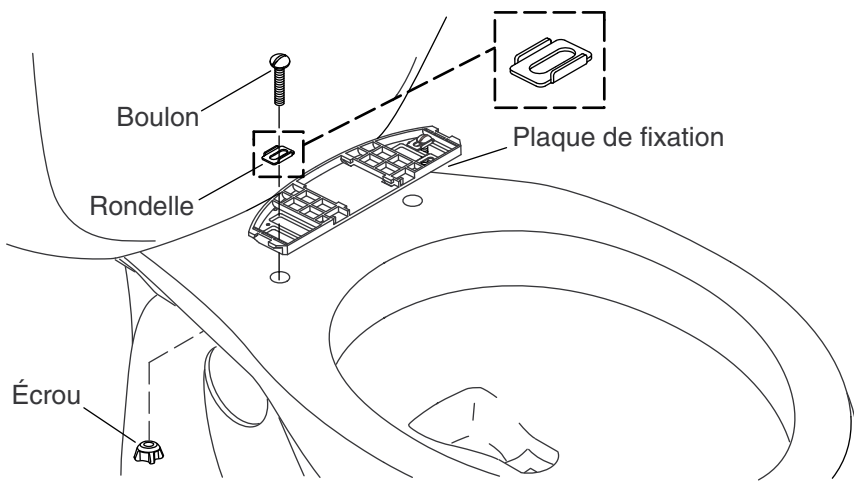


### 3. Installer la station d'accueil

- Positionner la plaque arrière à l'emplacement de fixation souhaité.
- Vérifier que la plaque arrière est de niveau.
- Marquer au crayon les deux emplacements des trous de fixation. Mettre la plaque arrière de côté.
- Pour une installation dans un montant ou sur une autre surface en bois:** Percer un trou de 1/16" à chacun des emplacements marqués.
- Pour une installation utilisant des dispositifs d'ancrage muraux:** Percer un trou de 1/4" à chacun des emplacements marqués. Installer les dispositifs d'ancrage dans les trous.
- Retirer la couverture à bande adhésive de la plaque arrière.
- Positionner la plaque arrière par-dessus les chevilles d'ancrage ou les repères, côté adhésif vers le mur. Sécuriser la plaque arrière avec les vis.
- Ouvrir le compartiment à piles. Installer quatre piles AA dans le compartiment à l'arrière de la station d'accueil.
- Positionner la station d'accueil sur la plaque arrière.

**Installer la station d'accueil (cont.)**

- Placer la télécommande sur la station d'accueil.



#### 4. Installer la plaque de fixation

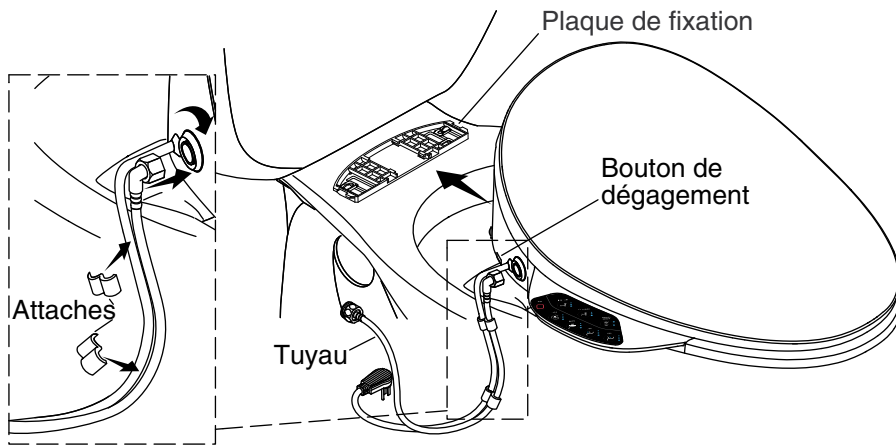
**REMARQUE:** Inspecter les trous de fixation du siège de la toilette pour les pièces filetées. Suivre les étapes applicables pour le type d'orifice de fixation en question.

##### **Pour des toilettes avec pièces filetées**

- Placer la plaque de fixation par-dessus les orifices de fixation sur la cuvette.
- Insérer un boulon à travers chaque rondelle.
- Faire passer chaque boulon par la plaque de fixation et le trou de fixation, dans les pièces filetées.
- Positionner les rondelles de manière à ce qu'elles reposent dans les rainures de la plaque de fixation.
- Visser légèrement les boulons dans les douilles. Le boulon doit être assez desserré pour permettre d'ajuster le siège.

##### **Pour toutes les autres installations**

- Placer la plaque de fixation par-dessus les orifices de fixation sur la cuvette.
- Faire passer chaque boulon par la plaque de fixation et dans les orifices de fixation.
- Positionner les rondelles de manière à ce qu'elles reposent dans les rainures de la plaque de fixation.
- Enfiler sans serrer un écrou sur chacun des boulons. L'écrou doit être assez desserré pour permettre d'ajuster le siège.



## 5. Installer le siège et le tuyau

### Positionner le siège

- Faire glisser le siège dans la plaque de fixation jusqu'à ce qu'il s'enclenche en place.
- Vérifier le positionnement du siège. Ajuster la position si nécessaire.

### Ajuster le siège

- Pour ajuster la position du siège, retirer celui-ci en enfonçant le bouton de dégagement et en faisant glisser le siège vers l'avant.
- Repositionner la plaque de montage selon les besoins.

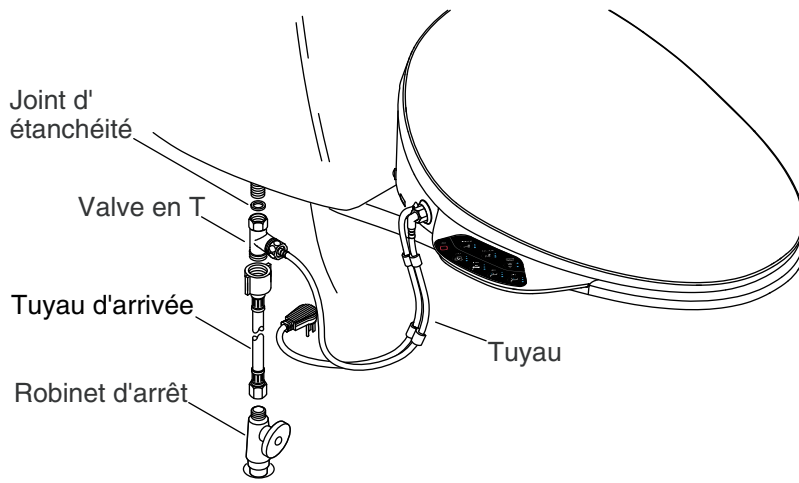
### Installer le siège

- Bien serrer les boulons de la plaque de fixation.
- Installer le siège.

### Installer le tuyau

**IMPORTANT! Risque d'endommagement du produit.** Ne pas fausser la connexion tuyau à siège.

- Connecter le tuyau d'arrivée au siège du bidet. Ne pas trop serrer.
- Utiliser les agrafes fournies pour attacher le cordon d'alimentation et le tuyau d'arrivée ensemble.



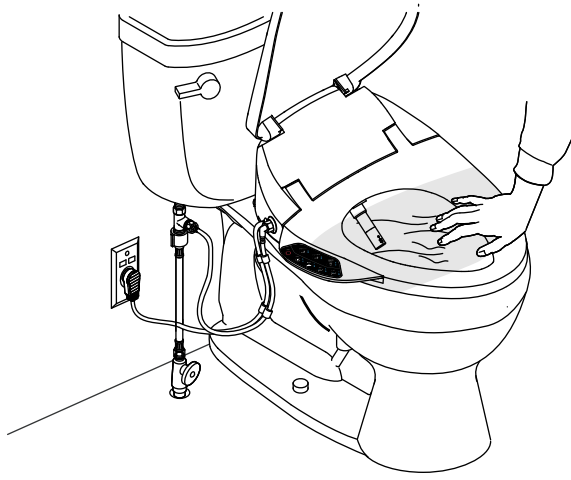
## 6. Connecter l'arrivée d'eau



**ATTENTION: Risque de dommages matériels.** Ne pas pousser sur le raccord d'eau entre le siège et le robinet d'arrêt d'arrivée d'eau et ne pas tirer dessus. Ceci empêche les fuites d'eau.

**AVIS:** Procéder avec soin afin d'éviter de fausser la filetage ou de serrer les connexions excessivement. Utiliser une clé à molette pour serrer d'un quart de tour au-delà du serrage à la main.

- Connecter la valve en T sur le tuyau du bidet.
- Si nécessaire, connecter le tuyau d'arrivée au robinet d'arrêt d'arrivée.
- Connecter le tuyau d'arrivée à la valve en T.
- Confirmer que le joint d'étanchéité est en place dans la valve en T. Installer si nécessaire.
- Connecter la valve en T à l'arrivée d'eau sur le réservoir de la toilette.
- Ouvrir l'arrivée d'eau.
- Inspecter toutes les connexions pour y rechercher des fuites et effectuer tous les réglages selon les besoins.



## 7. Vérification de l'installation

- Brancher le cordon d'alimentation dans la prise électrique. Le siège passe par une séquence de mise en marche pendant laquelle on peut entendre le remplissage du réservoir. Le siège ne fait plus de bruit lorsque la mise en marche est terminée.

**REMARQUE:** Les fonctions peuvent également être testées pendant que l'on est assis sur le siège du bidet ou que l'on couvre la baguette avec la main. Il est également possible de recouvrir le siège avec un film plastique étirable.

- Envelopper le siège de la toilette avec du film plastique étirable. Ceci empêchera l'eau de jaillir de la toilette pendant les essais.
- En faisant face à la toilette, placer la main ou un chiffon humide sur le côté droit du siège à approximativement un tiers de l'avant de ce dernier (tel qu'illustré).
- Aller aux sections "Utilisation des commandes manuelles" et "Utilisation de la télécommande" dans le guide du propriétaire pour tester les diverses fonctions du siège.



# Guía de instalación

## Asiento de bidet con control remoto

### Información importante

#### **LEA TODAS LAS INSTRUCCIONES ANTES DE INSTALAR ESTE PRODUCTO.**

**¡IMPORTANTE! Riesgo de daños al producto.** No suministre corriente eléctrica a la unidad mientras no se haya completado la instalación de la plomería, ya que esto podría causar que el producto no funcionara bien.

**NOTA:** Cuando hace calor los protectores térmicos podrían activarse durante el almacenamiento o el transporte, lo que causaría que la unidad no funcionara. Antes de instalar la unidad o ponerla en funcionamiento, permita que se enfríe a la temperatura ambiente.

#### **Instrucciones de conexión a tierra**

- Este producto se debe conectar a tierra. En caso de que haya un corto en el circuito eléctrico, la conexión a tierra reduce el riesgo de sacudida eléctrica ya que proporciona un alambre de escape para la corriente eléctrica. Este producto está equipado con un cable que tiene un alambre de conexión a tierra y un enchufe de conexión a tierra. El enchufe debe estar enchufado en un tomacorriente bien instalado y conectado a tierra.



**PELIGRO: Riesgo de sacudida eléctrica.** El uso incorrecto del enchufe de conexión a tierra puede ocasionar un riesgo de sacudida eléctrica.

- Si es necesario reparar o cambiar el cable o el enchufe, no conecte el alambre de conexión a tierra a ninguno de los terminales de hoja plana. El alambre con aislamiento que tiene una superficie exterior verde con o sin rayas amarillas es el alambre de conexión a tierra.

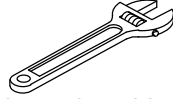
## Información importante (cont.)

- Si tiene alguna duda de si el producto está bien conectado a tierra, o si las instrucciones de conexión a tierra no están completamente claras, solicite la verificación de un electricista calificado o de un profesional de servicio.

## Herramientas y materiales



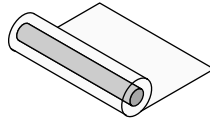
Lápiz



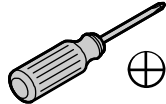
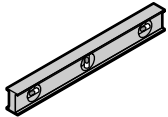
Llave ajustable



1/16", 1/4"



Envoltura de plástico



## Antes de comenzar



**ADVERTENCIA: Riesgo de sacudida eléctrica, incendio o lesiones personales.** Este producto se debe conectar a tierra. Conecte solamente a un circuito dedicado de 120 VCA, 60 Hz, protegido con un interruptor de circuito con pérdida a tierra (GFCI) de 15 A mínimo o un dispositivo de corriente residual (RCD).



**ADVERTENCIA: Riesgo de sacudida eléctrica.** No sumerja ni lave el producto con agua.



**PRECAUCIÓN: Riesgo de daños a la propiedad.** Las conexiones de agua dañadas pueden presentar fugas. No empuje ni jale la conexión de agua entre el asiento y la llave de paso del suministro de agua.

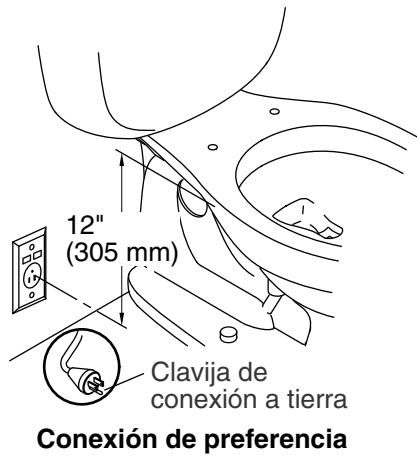
**AVISO:** Para evitar el posible mal funcionamiento del producto, no enchufe el asiento mientras no se le indique.

**AVISO:** No instale este asiento en un lugar donde: (1) pueda salpicar agua al producto o (2) haya humedad excesiva, alto nivel de humedad o condensación. Esto evitará daños a los componentes electrónicos.

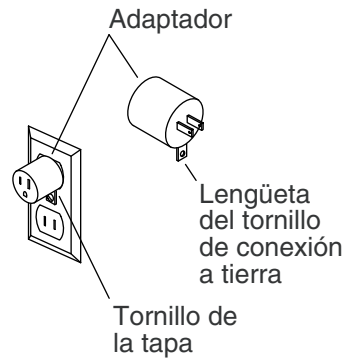
**Antes de comenzar (cont.)**

**AVISO:** No utilice un cable de extensión con este producto.

- Cumpla todos los códigos locales eléctricos, de plomería y de construcción.
- Solamente conecte el asiento a un suministro de agua fría potable a una presión de 20 (139 kPa) a 80 psi (551 kPa).



**Conexión de preferencia**



**Conexión provisional**

## 1. Instale el tomacorriente



**ADVERTENCIA: Riesgo de sacudida eléctrica, incendio o lesiones personales.** Este producto debe conectarse a tierra y conectarse solamente a un circuito dedicado nominal de 120 VCA, 60 Hz, protegido con un interruptor de circuito con pérdida a tierra (GFCI) de 15 A mínimo o un dispositivo de corriente residual (RCD).

**AVISO:** Este producto viene equipado de fábrica con un cable y enchufe eléctrico que permite la conexión a un circuito eléctrico adecuado. Asegúrese de que el producto se conecte a un tomacorriente con la misma configuración que el enchufe. No modifique el enchufe provisto – Si el enchufe no entra en el tomacorriente, pida a un electricista calificado que instale el tomacorriente adecuado. Si el producto se tiene que conectar para uso en un tipo diferente de circuito eléctrico, la conexión debe realizarla personal de servicio calificado.

**AVISO:** Consulte los códigos eléctricos locales antes de determinar el tipo de conexión y el lugar del tomacorriente eléctrico. Es posible que los códigos eléctricos locales prohíban la conexión provisional y que especifiquen el lugar para el tomacorriente.

**AVISO:** Para evitar el posible mal funcionamiento del producto, no enchufe el asiento mientras no se le indique.

### **Conexión de preferencia**

**NOTA:** No utilice un cable de extensión.

### **Instale el tomacorriente (cont.)**

- Determine el lugar de instalación del tomacorriente. Ubique el tomacorriente a menos de 12" (305 mm) del inodoro.

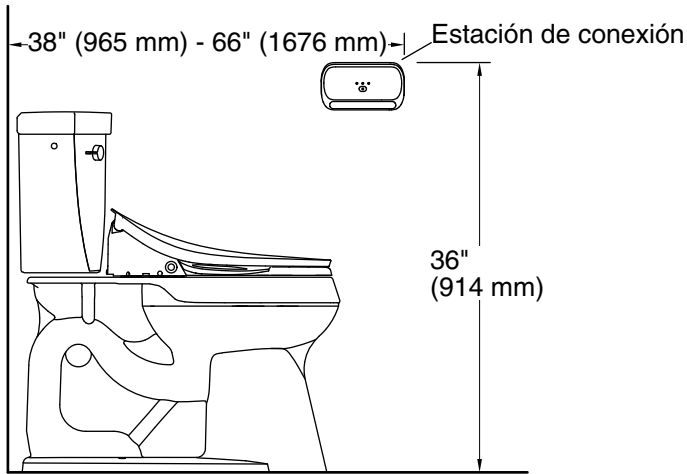
**¡IMPORTANTE!** Aún no enchufe el asiento en el tomacorriente.

- Instale y conecte a tierra el tomacorriente. Este tomacorriente debe estar en un circuito dedicado nominal de 120 VCA, 60 Hz, protegido con un interruptor de circuito con pérdida a tierra (GFCI) de 15 A como mínimo o un dispositivo de corriente residual (RCD).

### **Conexión provisional**

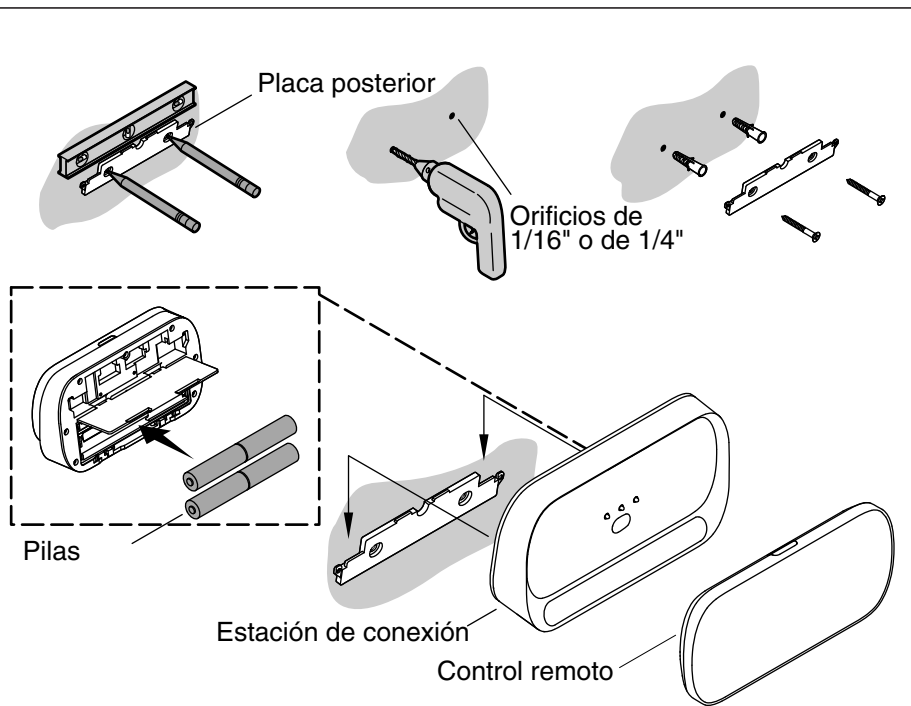
**AVISO:** A menos que el tornillo de la tapa del tomacorriente tenga conexión a tierra a través del cableado de la casa, fijar la lengüeta del tornillo de conexión a tierra del adaptador al tornillo de la tapa NO conecta la unidad a tierra. Si tiene alguna duda de que el tornillo de la tapa esté conectado a tierra, solicite la verificación por un electricista calificado o profesional de servicio.

- Donde los códigos locales lo permitan, puede realizar una conexión provisional con un adaptador de dos clavijas, siempre y cuando el adaptador esté conectado a tierra.



## 2. Preparación del sitio

- Si aplica, retire el asiento que actualmente tiene el inodoro.
- Cierre el suministro de agua al inodoro.
- Accione la descarga del inodoro para eliminar la presión que pueda haber en las mangueras de suministro de agua.
- Desconecte la manguera de suministro de agua de la válvula de llenado del inodoro.
- Determine el lugar de instalación de la estación de conexión del control remoto.



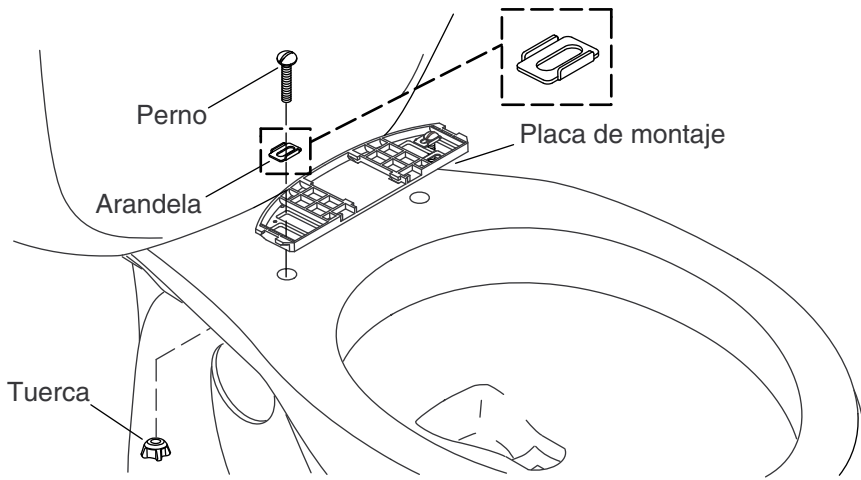
### 3. Instale la estación de conexión

- Coloque la placa posterior en el lugar deseado de montaje.
- Confirme que la placa posterior esté nivelada.
- Marque con un lápiz las ubicaciones de los dos orificios de fijación. Coloque la placa posterior a un lado.
- Para instalación a un poste u otra superficie de madera:** Taladre un orificio de 1/16" en cada lugar marcado.
- Para la instalación utilizando anclajes de pared:** Taladre un orificio de 1/4" en cada lugar marcado. Instale los anclajes de pared en los orificios.
- Retire la cubierta de la tira adhesiva en la placa posterior.
- Coloque la placa posterior sobre los anclajes o las marcas, con el lado adhesivo hacia la pared. Fije la placa posterior con los tornillos.
- Abra el compartimiento de pilas. Instale cuatro pilas AA en el compartimiento en la parte posterior de la estación de conexión.
- Coloque la estación de conexión en la placa posterior.

**Instale la estación de conexión (cont.)**

- Coloque el control remoto en la estación de conexión.





#### 4. Instale la placa de montaje

**NOTA:** Revise los orificios de montaje del asiento del inodoro para ver si tienen insertos roscados. Siga los pasos correspondientes para su tipo de orificio de fijación.

##### Para inodoros con insertos roscados

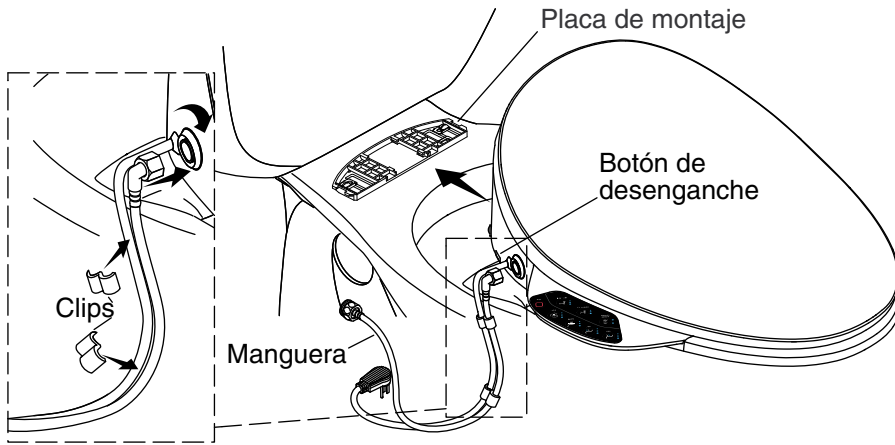
- Coloque la placa de montaje sobre los orificios de montaje en la taza.
- Introduzca un perno a través de cada arandela.
- Introduzca cada perno a través de la placa de montaje y del orificio de montaje, y dentro de los insertos roscados.
- Coloque las arandelas de manera a que descansen en las ranuras de la placa de montaje.
- Atornille sin apretar los pernos en los insertos. El perno debe quedar lo suficientemente suelto como para permitir hacer ajustes al asiento.

##### En todas las demás instalaciones

- Coloque la placa de montaje sobre los orificios de montaje en la taza.
- Introduzca cada perno a través de la placa de montaje y dentro de los orificios de montaje.
- Coloque las arandelas de manera que descansen en las ranuras de la placa de montaje.

**Instale la placa de montaje (cont.)**

- Enrosque sin apretar una tuerca en cada uno de los pernos. La tuerca debe estar lo suficientemente suelta para permitir hacer ajustes al asiento.



## 5. Instale el asiento y la manguera

### Coloque el asiento.

- Deslice el asiento en la placa de montaje hasta que sienta que encaja en su lugar.
- Revise la posición del asiento. Ajuste la posición si es necesario.

### Ajuste el asiento

- Para ajustar la posición del asiento, retire el asiento presionando el botón de desenganche y deslizando el asiento hacia delante.
- Cambie la posición de la placa de montaje según sea necesario.

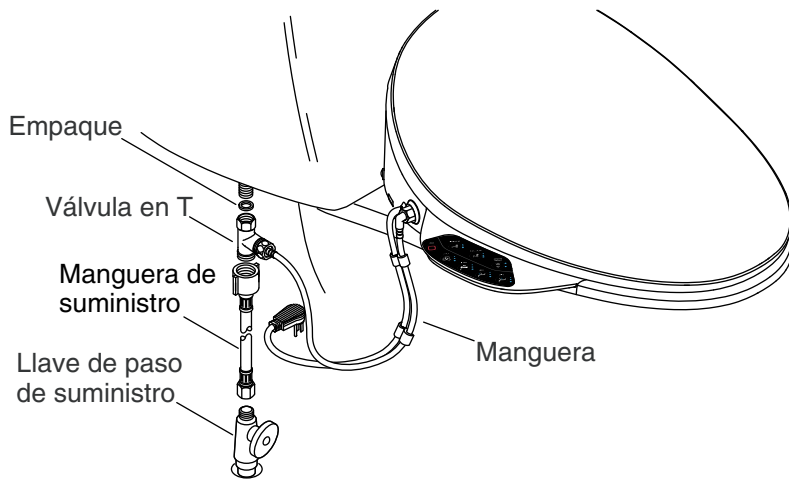
### Instale el asiento

- Apriete bien los pernos de la placa de montaje.
- Instale el asiento.

### Instale la manguera

**¡IMPORTANTE! Riesgo de daños al producto.** No trasrosque la conexión de la manguera al asiento.

- Conecte la manguera de suministro al asiento del bidet. No apriete demasiado.
- Una el cable eléctrico a la manguera de suministro mediante los clips provistos.



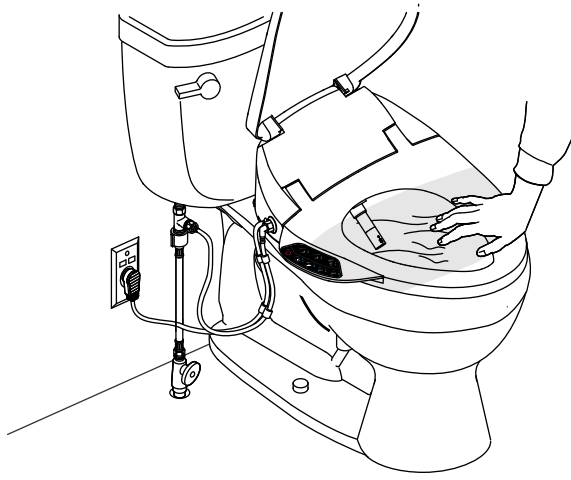
## 6. Conecte el suministro de agua



**PRECAUCIÓN: Riesgo de daños a la propiedad.** No empuje ni jale la conexión de agua entre el asiento y la llave de paso del suministro de agua. Esto evitará fugas de agua.

**AVISO:** Tenga cuidado para evitar dañar las roscas o apretar demasiado las conexiones. Utilice una llave de tuercas ajustable para apretar un cuarto de vuelta después de apretar a mano.

- Conecte la válvula en T a la manguera del bidet.
- De ser necesario, conecte la manguera de suministro a la llave de paso de suministro.
- Conecte la manguera de suministro a la válvula en T.
- Confirme que el empaque esté en su lugar en la válvula en T. Instálelo de ser necesario.
- Conecte la válvula en T a la entrada de agua en el tanque del inodoro.
- Abra el suministro de agua.
- Revise todas las conexiones para asegurarse de que no haya fugas, y haga los ajustes necesarios.



## 7. Verificación de la instalación

- Enchufe el cable eléctrico al tomacorriente. El asiento realiza la secuencia de encendido, durante la cual escuchará que se llena el tanque. El asiento estará en silencio cuando la secuencia de encendido se haya completado.

**NOTA:** También puede probar las funciones mientras está sentado en el asiento del bidet o al abrir la varilla con la mano. Cubrir el asiento con envoltura de plástico es opcional.

- Envuelva el asiento del inodoro con envoltura de plástico. Esto evitará que el agua del inodoro salpique durante las pruebas.
- Párese de frente al inodoro, luego coloque la mano o un trapo húmedo en el lado derecho del asiento aproximadamente a la tercera parte de la distancia desde el frente del asiento (como se ilustra).
- Proceda a las secciones "Uso de los controles manuales" y "Uso del control remoto" en la Guía del usuario para probar las distintas funciones del asiento.

USA/Canada: 1-800-4KOHLER

México: 001-800-456-4537

[kohler.com](http://kohler.com)

THE BOLD LOOK  
OF **KOHLER**®

©2014 Kohler Co.

1194356-2-A