



# Kingston™ Comfort Height®

The Complete Solution® two-piece elongated toilet  
K-26077

## Features

- Two-piece design.
- Elongated bowl offers added room and comfort.
- Comfort Height® feature offers chair-height seating that makes sitting down and standing up easier for most adults.
- 1.28 gpf (4.8 lpf).
- Durable metal left-hand Polished Chrome trip lever.
- 2-1/8" (54 mm) fully glazed trapway.
- Sanitary guard where bowl and tank meet for ease of cleaning.
- Easy-to-service silicone seal.
- Encapsulated bolts prevent rust and corrosion.
- Quiet-Close™ elongated seat closes quietly.
- Ideal for commercial installations.
- The Complete Solution toilets provide everything you need, including bowl, tank, seat, wax ring, and hardware.



## Technology

- Precision-engineered tank, bowl, and trapway create strong siphon during flushing.
- Class Five® canister optimizes the flow out of the tank, harnessing gravity and the natural powerful reducing cascade of water to increase the power and effectiveness of the flush.
- Easy-to-flush canister design requires less force to actuate than a 3" (76 mm) flapper, and has 90% less exposed seal material which resists conditions that cause wear, tear, shrinkage and swelling.

## Installation

- Three-bolt quick-connect installation.
- Standard 12" (305 mm) rough-in.
- Supply line sold separately.

## Recommended Products/Accessories

- K-7637 Angle Supply with Stop (single)
- K-5420 Low-Profile Bolt Caps
- K-23726 Drain treatment

## Included Components

Product consists of:

- 25076
- 25100
- 20110

Additional Components:

- Bolt cap accessory pack

ADA    CSA B651    OBC

## Codes/Standards

- ASME A112.19.2/CSA B45.1
- DOE - Energy Policy Act 1992
- EPA WaterSense®
- California Energy Commission (CEC)
- ADA
- ICC/ANSI A117.1
- CSA B651
- OBC

## KOHLER® Toilets and Seats Limited Warranty

See website for detailed warranty information.

## Available Colors/Finishes

Color tiles intended for reference only.

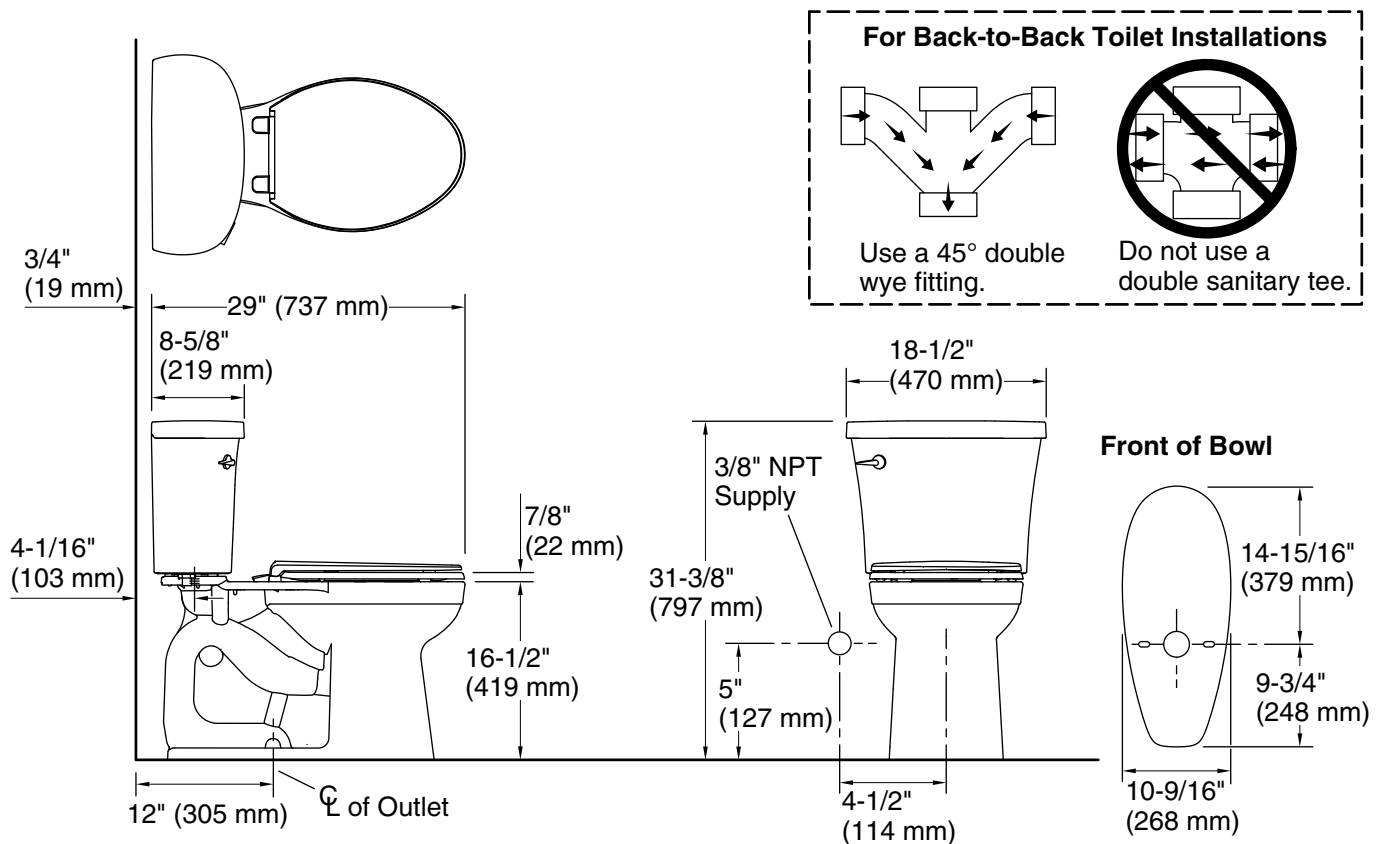
### Color    Code    Description

	0	White
--	---	-------



# Kingston™ Comfort Height®

The Complete Solution® two-piece elongated toilet  
K-26077



## Technical Information

All product dimensions are nominal.

Toilet type:	Floor-mount
Waste Outlet:	Floor
Bowl shape:	Elongated
Flush type:	Gravity siphon jet
Trap passageway:	2-1/8" (54 mm)
Water Consumption	
Full:	1.28 gpf (4.8 lpf)
Water surface size:	10-5/8" x 6-15/16" (269 mm x 176 mm)
Rim to water surface:	5-5/8" (143 mm)
Rough-in:	12" (305 mm)
Seat-mounting holes:	5-1/2" (140 mm)

## Notes

Install this product according to the installation instructions.

ADA, OBC, CSA B651 compliant when installed to the specific requirements of these regulations.

Plumbing codes may require elongated toilets and elongated, open-front seats in public bathrooms.

Accessibility standards may require controls to be located on the open side of the toilet.

### Features

- Dual-function wand provides ambient water for front and rear cleansing.
- Convenient side lever handle allows for water pressure adjustment.
- Self-cleaning wand automatically rinses after each use.
- Manually-operated handle requires no batteries or electrical power.
- Quiet-Close™ elongated seat closes quietly.
- Quick-Release™ functionality allows the seat to be removed easily from the toilet for convenient cleaning.
- Grip-Tight bumpers hold seat firmly in place.
- Ergonomically contoured seat for user comfort.
- Seat with antimicrobial agent inhibits growth of odor-causing bacteria, mold, and mildew. This product does not protect users against bacteria, viruses, or other disease organisms. Always clean and wash this product thoroughly before and after each use.
- Air bubble wash offers a soft, gentle wash with effective cleansing.

### Material

- Plastic construction.

### Installation

- Requires connection to toilet water supply line. All hoses and connections are included.
- Fits most elongated toilets.

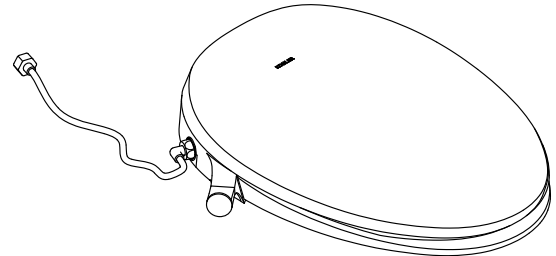
### Recommended Products/Accessories

- K-3999 Two-piece elongated 1.28 gpf chair height toilet
- K-3999-RA Two-piece elongated 1.28 gpf chair height toilet
- K-31621 Two-piece elongated 1.28 gpf chair height toilet
- K-31621-RA Two-piece elongated 1.28 gpf chair height toilet

### Included Components

Additional Components:

- Bidet hose
- Mounting hardware
- T-valve

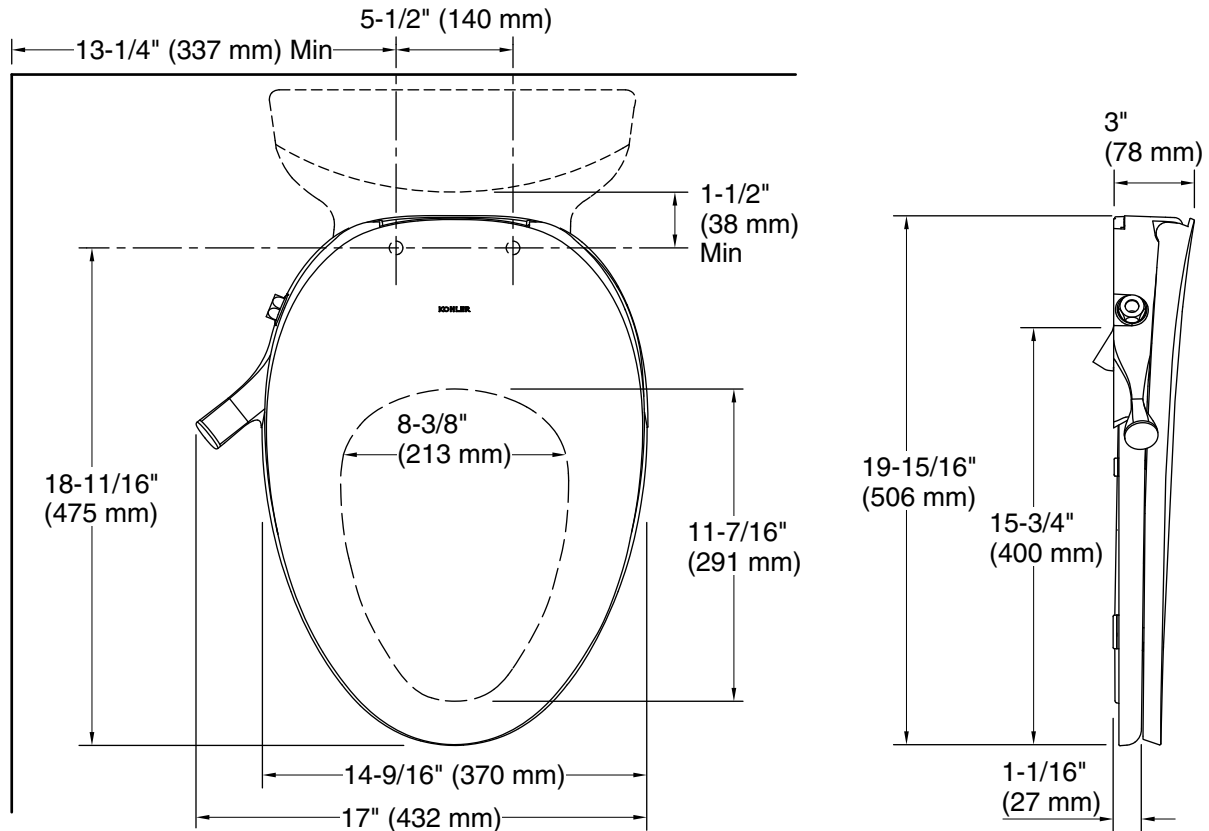


### Codes/Standards

None Applicable

### KOHLER® Toilets and Seats Limited Warranty

See website for detailed warranty information.



### Technical Information

All product dimensions are nominal.

- Seat shape type: Elongated
- Seat front type: Closed-front
- Seat-mounting holes: 5-1/2" (140 mm)