



# Hidden cord one-piece compact elongated toilet with skirted trapway, dual-flush K-23188-HC

## Features

- One-piece toilets integrate the tank and bowl into a seamless, easy-to-clean design
- Compact elongated bowl offers added comfort while occupying the same space as a round-front bowl
- Standard height
- Top-mount dual-flush actuator offers a choice of 0.8 or 1.28 gpf (3.0 or 4.8 lpf)
- 2" (51 mm) glazed trapway
- Fully skirted trapway simplifies cleaning
- Hidden cord design conceals bidet seat cords (bidet seat sold separately)
- Alternative option available: Reach Curv with nonhidden cord design (K-23188)
- Includes bidet water inlet hose

## Installation

- Standard 12" (305 mm) rough-in
- Supply line sold separately

## Recommended Products/Accessories

- K-28821 PureWash™ E930 Elongated bidet toilet seat with remote control
- K-8298-CR C<sup>3</sup>™-455 Elongated bidet toilet seat with remote control
- K-27142-CR C<sup>3</sup>™-430 Elongated bidet toilet seat with remote control
- K-26132-CSP C<sup>3</sup>™-420 Elongated bidet toilet seat
- 1265114 Connector Hose
- 1023457 Wax Ring/Hardware Kit



## Codes/Standards

- ASME A112.19.2/CSA B45.1
- ASME A112.19.14
- DOE - Energy Policy Act 1992
- EPA WaterSense™
- California Energy Commission (CEC)

## KOHLER® Toilets and Seats Limited Warranty

See website for detailed warranty information.

## Available Colors/Finishes

*Color tiles intended for reference only.*

### Color Code Description

	0	White
---	---	-------

1-800-4KOHLER (1-800-456-4537)

Kohler Co. reserves the right to make revisions without notice to product specifications.

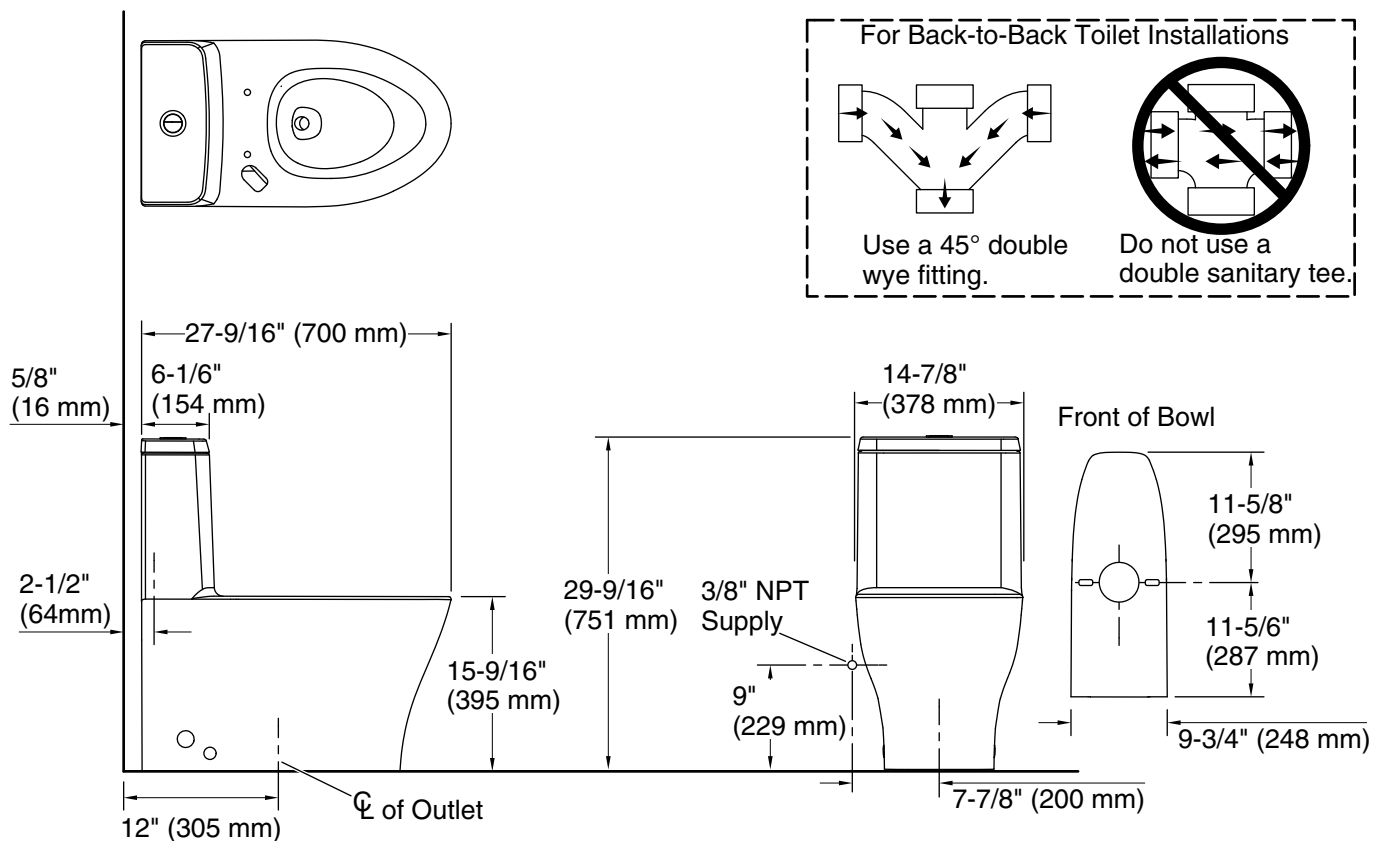
For the most current Specification Sheet, go to [www.kohler.com](http://www.kohler.com).

5-29-2023 22:23 - US/CA

THE BOLD LOOK  
OF **KOHLER**®



Hidden cord one-piece compact elongated toilet with skirted trapway, dual-flush  
**K-23188-HC**



### Technical Information

All product dimensions are nominal.

Toilet type:	Floor-mount
Waste Outlet:	Floor
Bowl shape:	Compact elongated
Flush type:	Class Five Siphonic Dual-Flush
Trap passageway:	2" (51 mm)
Water surface size:	7-3/4" x 5-3/4" (197 mm x 146 mm)
Rim to water surface:	5-13/16" (148 mm)
Rough-in:	12" (305 mm)
Seat-mounting holes:	5-1/2" (140 mm)
Template:	Footprint, 1392770-7, not required, not included

### Fixture Supply Requirements

Min static pressure:	20 psi (137.9 kPa)
Max static pressure:	80 psi (551.6 kPa)
Min flowing	15 psi (103.4 kPa)

### Notes

Install this product according to the installation instructions.

1-800-4KOHLER (1-800-456-4537)

Kohler Co. reserves the right to make revisions without notice to product specifications.

For the most current Specification Sheet, go to [www.kohler.com](http://www.kohler.com).

5-29-2023 22:23 - US/CA

THE BOLD LOOK  
OF **KOHLER**

## Features

- Continuously heated water for consistent comfort
- Front and rear wash modes provide warm water for cleansing
- Adjustable water temperature and water pressure
- Choose oscillating or pulsating spray
- Sleek, handheld remote control with two programmable user presets
- Self-cleaning function uses UV light to automatically clean the wand surfaces
- Motion-activated, hands-free opening/closing of cover
- Boost spray automatically adjusts rear spray mode to highest pressure
- Child mode with soft, gentle wash provides a safe experience
- Heated seat with adjustable temperature settings
- Warm-air drying system with adjustable temperature settings
- Automatic deodorization function for odor control
- LED lighting illuminates the bowl to serve as a nightlight
- Energy-save function
- Ergonomically designed for comfortable seating
- Quiet-Close™ elongated lid and seat prevents slamming
- Quick-Release™ functionality allows seat to be removed easily from toilet for convenient cleaning
- Grip-Tight bumpers hold seat firmly in place
- Fits most elongated toilets

## Material

- Plastic construction

## Installation

- Requires connection to toilet water supply line
- Requires dedicated electrical GFCI circuit (120V, 15A, 60Hz)

## Included Components

Additional Components:

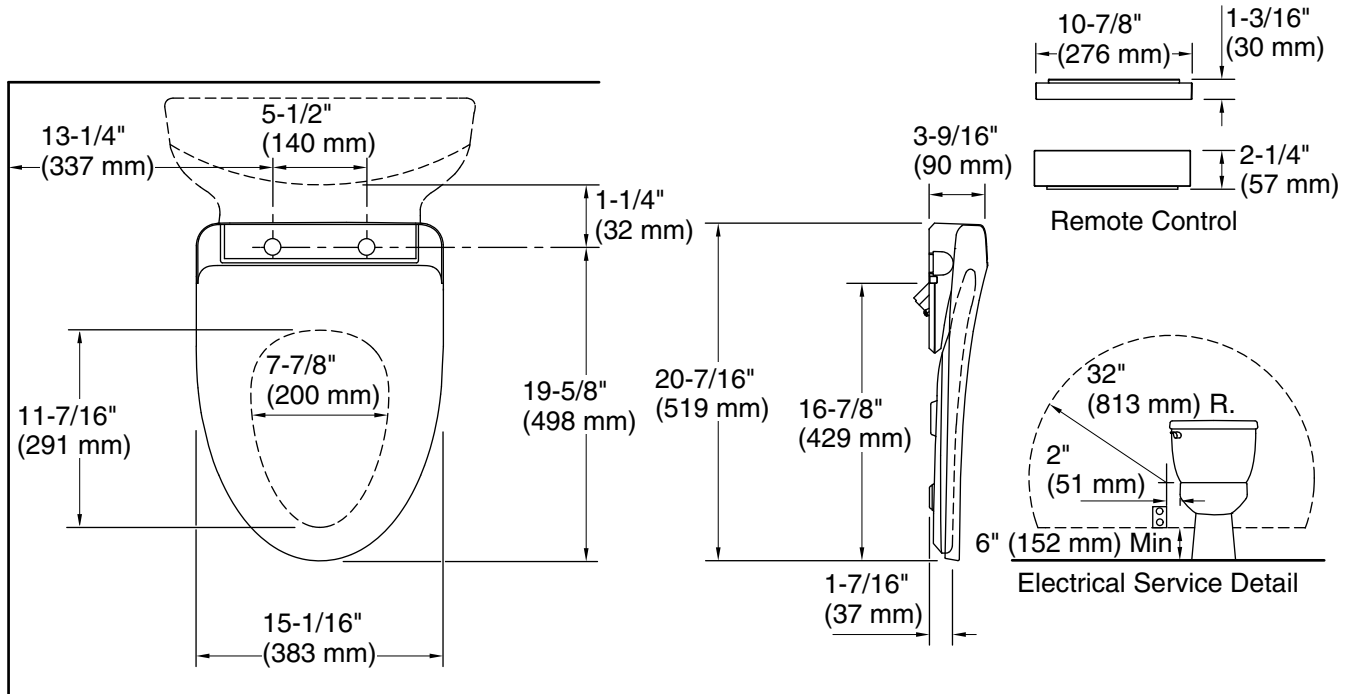
- Inlet water supply hose
- Remote
- Seat mounting bracket
- T-fitting

## Codes/Standards

ASME A112.4.2/CSA B45.16  
UL 1431  
CSA C22.2 No. 68  
CSA C22.2 No. 64

## KOHLER® Intelligent Toilet and C3® Cleansing Seat Three-Year Limited Warranty

See website for detailed warranty information.



## Required Electrical Service

One dedicated circuit required, protected with Class A Ground-Fault Circuit-Interrupter (GFCI). Outside North America, this device may be known as a Residual Current Device (RCD).

120 V, 7.25 A, 60 Hz

## Technical Information

All product dimensions are nominal.

Seat shape type: Elongated  
Seat front type: Closed-front  
Seat-mounting holes: 5-1/2" (140 mm)  
Power cord length: 47-1/4" (1200 mm)

## Notes

Install this product according to the installation instructions.

To avoid possible product malfunction, do not plug in the seat until instructed to do so.

Locate the receptacle at least 6" (152 mm) above the floor, and within a 32" (813 mm) radius measured 2" (51 mm) from the bowl ledge.

Do not use an extension cord with this product.

Do not install this seat in a location where: (1) water might be splashed on the product or (2) excessive moisture, high humidity levels, or condensation is present. This will avoid damage to the electronic components.