

IMPORTANT INFORMATION

CAUTION: Risk of personal injury. If not blocked, hazardous gases may leak from the flange opening. Temporarily place a rag in the flange opening until the toilet is ready to install.

WARNING: Risk of product damage. Do not use in-tank cleaners in your toilet. Products containing chlorine (calcium hypochlorite) can seriously damage fittings in the tank. This damage can cause leakage and property damage.

1A. Silicone sealant

1B. Masking tape

4A. For floors less than 1-1/2" (38 mm) thick, drill 5/32" bolt holes. Do not use anchors.

4B. For floors 1-1/2" (38 mm) thick or greater, drill 3/8" anchor holes. Insert the provided anchors.

5A. Align the bracket slots with the drilled holes. Position and secure the brackets at the locations indicated on the template.

7A. Temporarily position the toilet and verify that the screw holes align with the brackets.

9A. Install the T-bolts. Use the trapway to mark the pilot hole location. Drill the pilot hole.

10A. Install the wax ring to the trapway. Secure the trapway to the flange. Do not lift or move the trapway after placement.

11A. Apply the provided lubricant to the trapway gasket, and to the outside and bottom surfaces of the bowl outlet.

14A. Check all connections for leaks.

15A. Turn on the water supply and adjust the water level. Flush the toilet and recheck the water level.

INFORMATIONS IMPORTANTES

ATTENTION: Risque de blessures. Si le dispositif n'est pas bloqué, une fuite de gaz dangereux peut provenir de l'ouverture de la bride. Si la nouvelle toilette n'est pas installée immédiatement, recouvrir temporairement l'ouverture de la bride avec un chiffon.

AVERTISSEMENT: Risque d'endommagement du produit. Ne pas utiliser de détergents faits pour le réservoir dans la toilette. Les produits contenant du chlore (hypochlorite de calcium) peuvent sérieusement endommager les raccords du réservoir. Ceci peut créer des fuites et des dommages matériels.

1A. Mastic à la silicone

1B. Ruban-cache

4A. Pour les planchers d'une épaisseur inférieure à 1-1/2" (38 mm), percer des trous de boulons de 5/32". Ne pas utiliser les dispositifs d'ancrage.

4B. Pour les planchers d'une épaisseur égale ou supérieure à 1-1/2" (38 mm), percer des trous d'ancrage de 3/8". Insérer les dispositifs d'ancrage fournis.

5A. Aligner les fentes des supports sur les trous percés. Positionner et sécuriser les supports aux emplacements marqués sur le gabarit.

7A. Positionner temporairement la toilette et vérifier que les trous de vis sont alignés avec les supports.

9A. Installer les boulons en T. Utiliser le siphon pour marquer l'emplacement du trou pilote. Percer le trou pilote.

10A. Installer l'anneau de cire sur le siphon. Fixer le siphon en place sur la bride. Ne pas soulever ou déplacer le siphon après la mise en place.

11A. Appliquer le lubrifiant fourni sur le joint statique du siphon et sur la surface extérieure et la surface inférieure de l'orifice de sortie de la cuvette.

14A. Vérifier s'il y a des fuites dans les connexions.

15A. Ouvrir l'arrivée d'eau et ajuster le niveau de l'eau. Passer la chasse et revérifier le niveau de l'eau.

INFORMACIÓN IMPORTANTE

PRECAUCIÓN: Riesgo de lesiones personales. Si no se tapa la abertura de la bride, podrían fugarse gases nocivos. Si el inodoro nuevo no se instala de inmediato, cubra provisionalmente la abertura de la bride con un trapo.

ADVERTENCIA: Riesgo de daños al producto. No utilice productos para limpiar el inodoro que se colocan dentro del tanque. Los productos que contienen cloro (hipoclorito de calcio) pueden dañar las piezas del tanque. Esto puede causar fugas y daños a la propiedad.

1A. Sellador de silicona

1B. Cinta de enmascarar

4A. En pisos de menos de 1-1/2" (38 mm) de grosor, taladre orificios para perno de 5/32". No utilice anclajes.

4B. En pisos de 1-1/2" (38 mm) de grosor o más, taladre orificios para anclajes de 3/8". Inserte los anclajes provistos.

5A. Alinee las ranuras del soporte a los orificios taladrados. Coloque y fije los soportes en los lugares indicados en la plantilla.

7A. Provisionalmente coloque el inodoro, y verifique que los orificios para tornillos queden alineados con los soportes.

9A. Instale los pernos en T. Marque el lugar del orificio guía con la boca de sifón. Taladre el orificio guía.

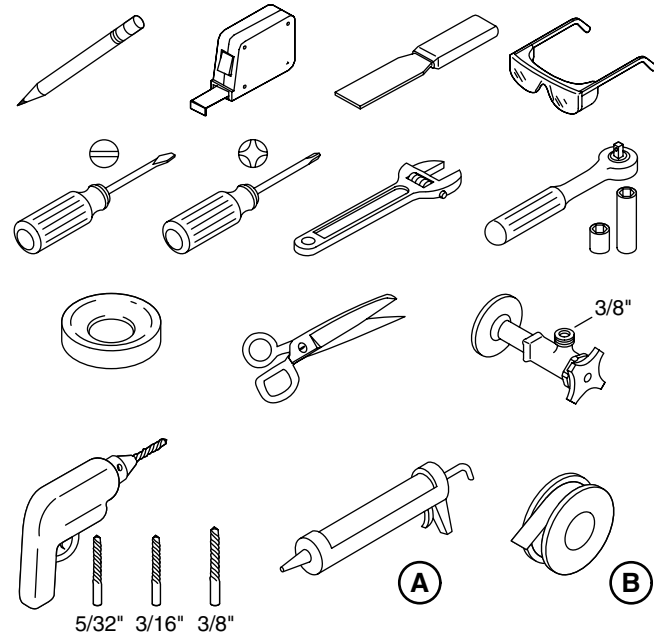
10A. Instale el anillo de cera en la boca de sifón. Fije la boca de sifón a la bride. No levante ni mueva la boca de sifón después de colocarla.

11A. Aplique el lubricante que se incluye al empaque de la boca de sifón y a las superficies exterior e inferior de la salida de la taza.

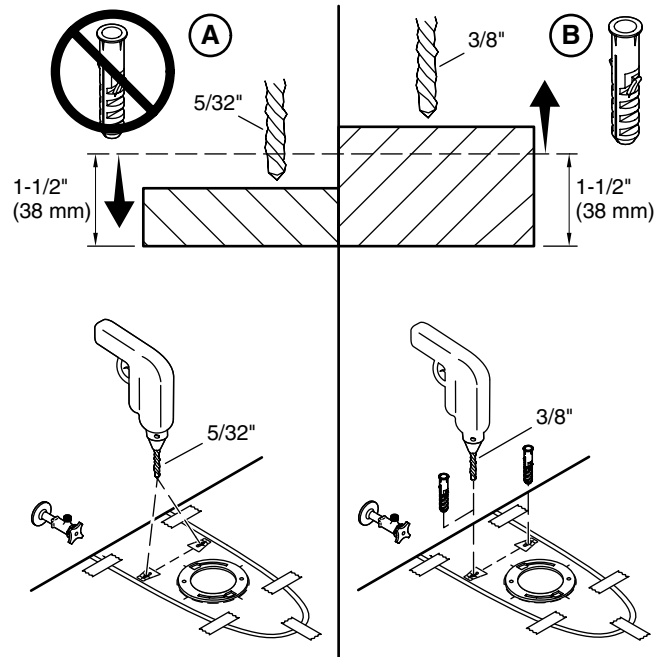
14A. Revise todas las conexiones para asegurarse que no haya fugas.

15A. Abra el suministro de agua y ajuste el nivel de agua. Accione la descarga del inodoro y vuelva a verificar el nivel de agua.

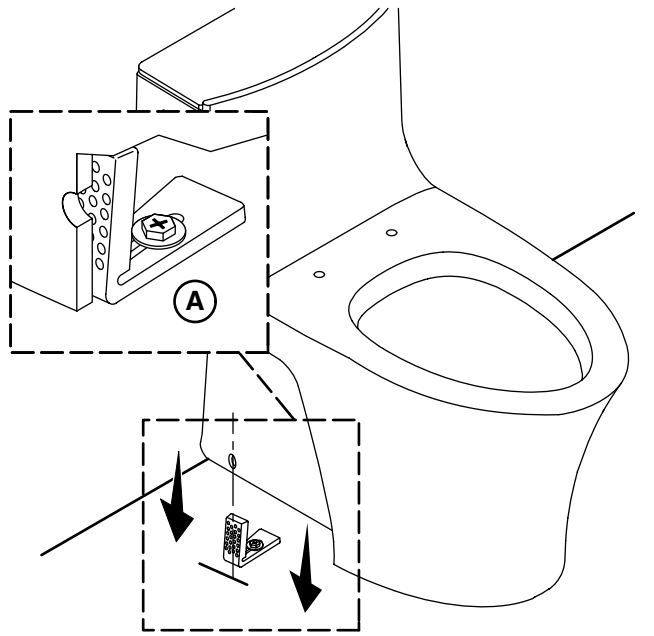
1



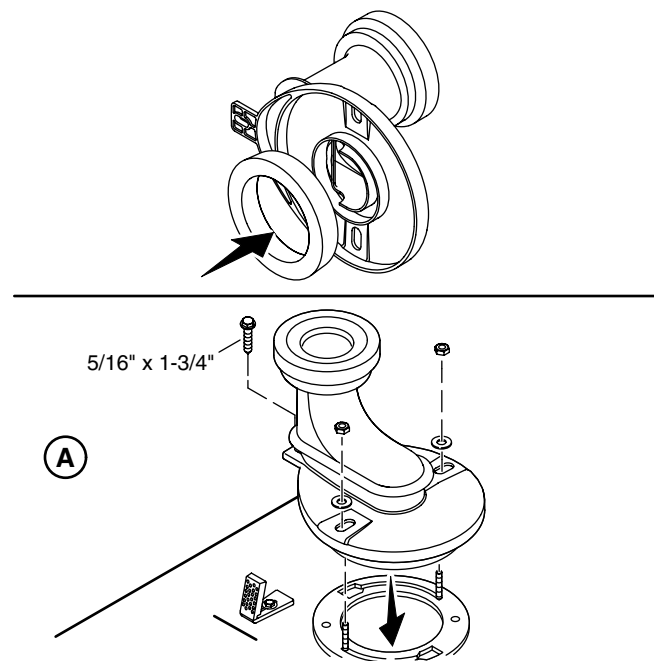
4



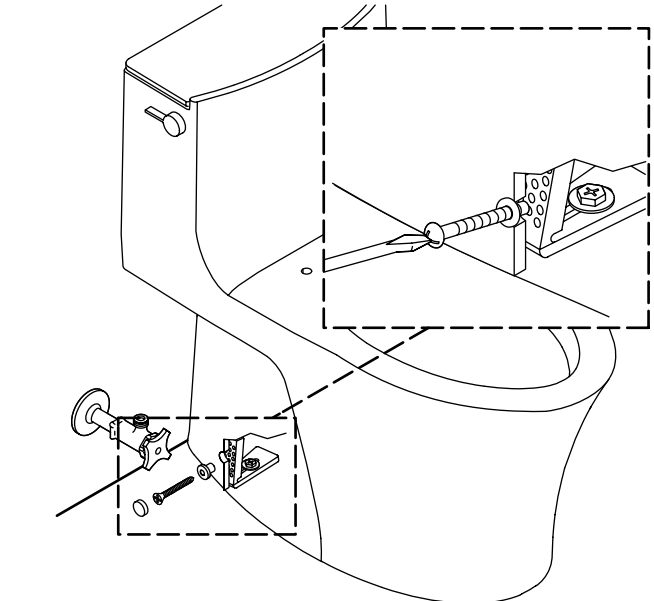
7



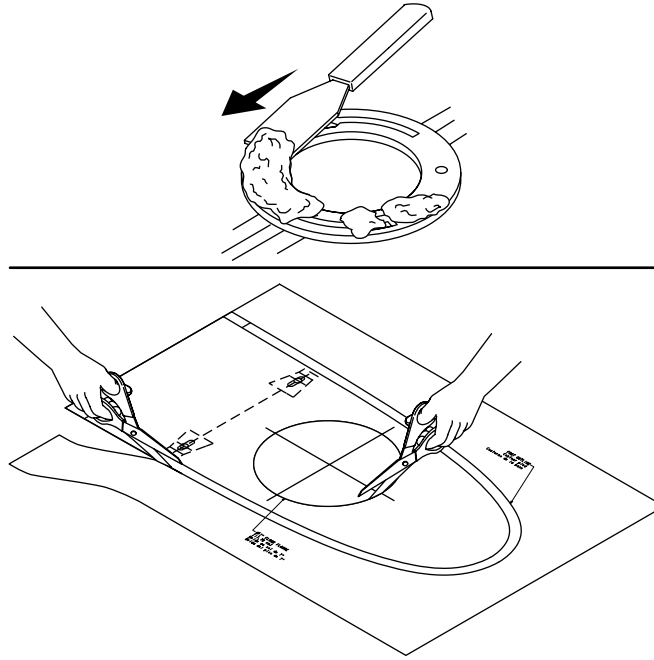
10



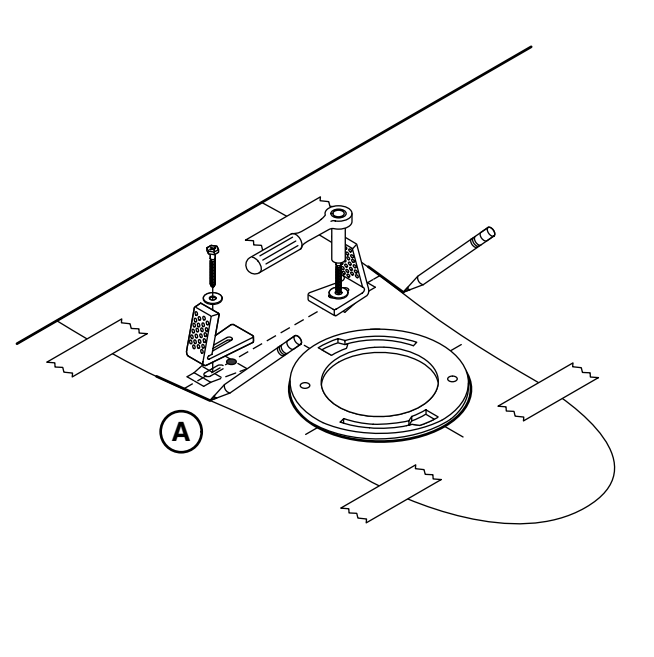
13



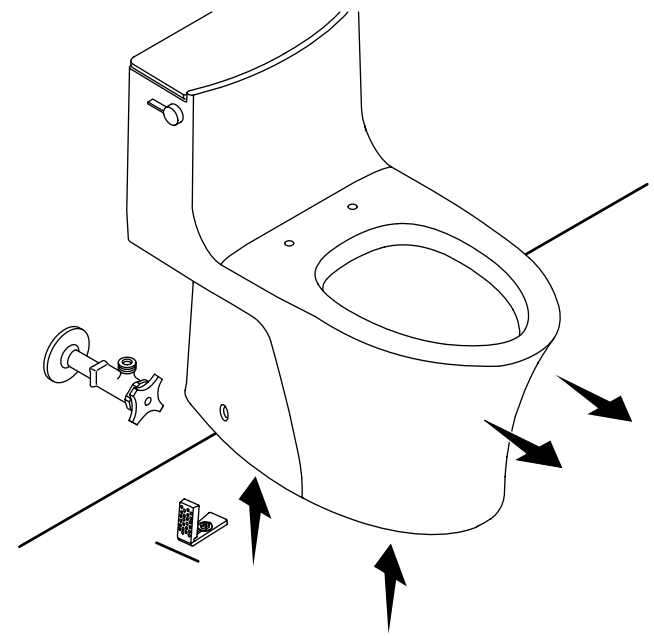
2



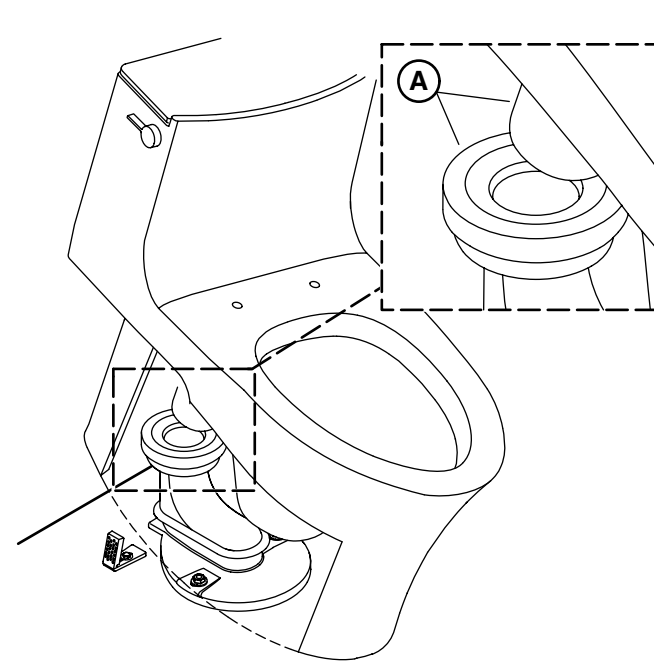
5



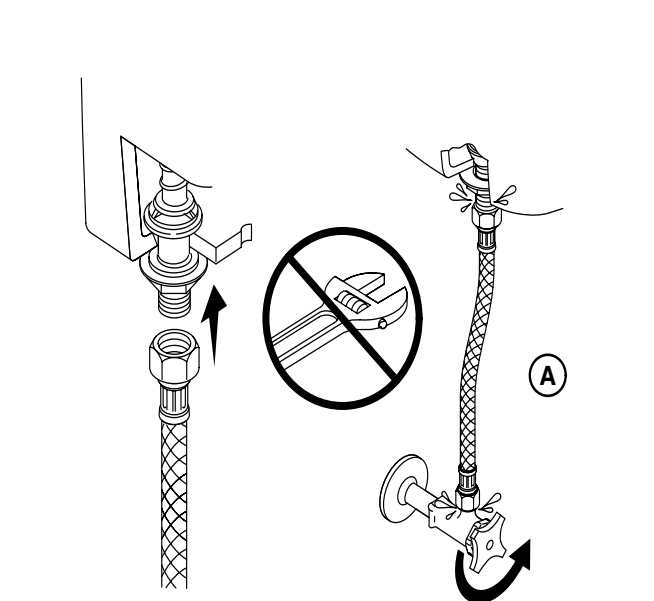
8



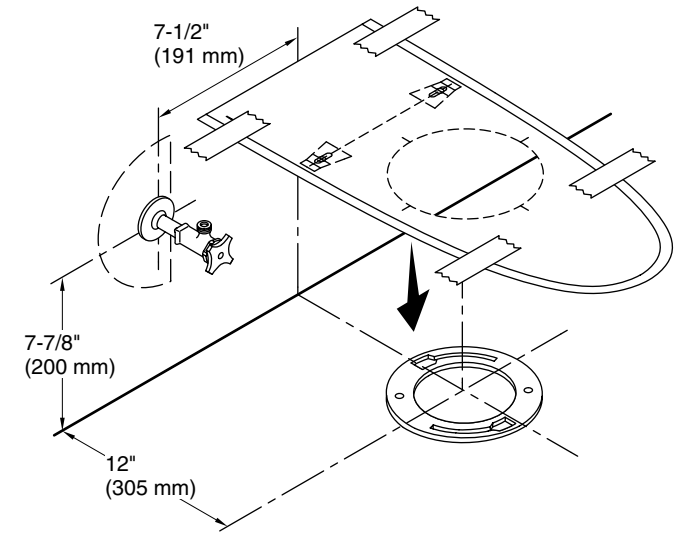
11



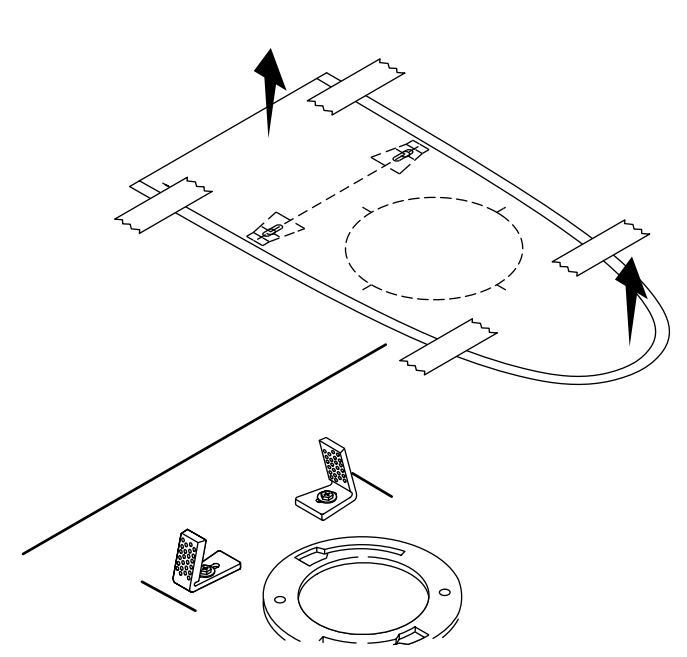
14



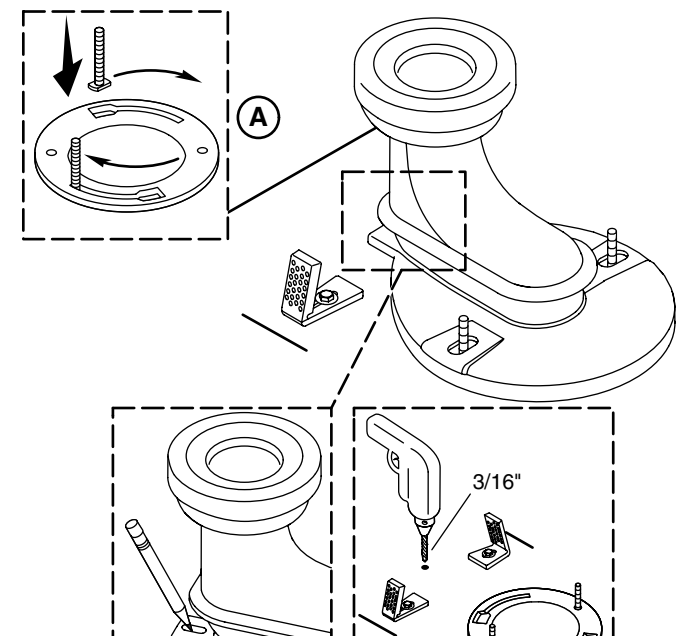
3



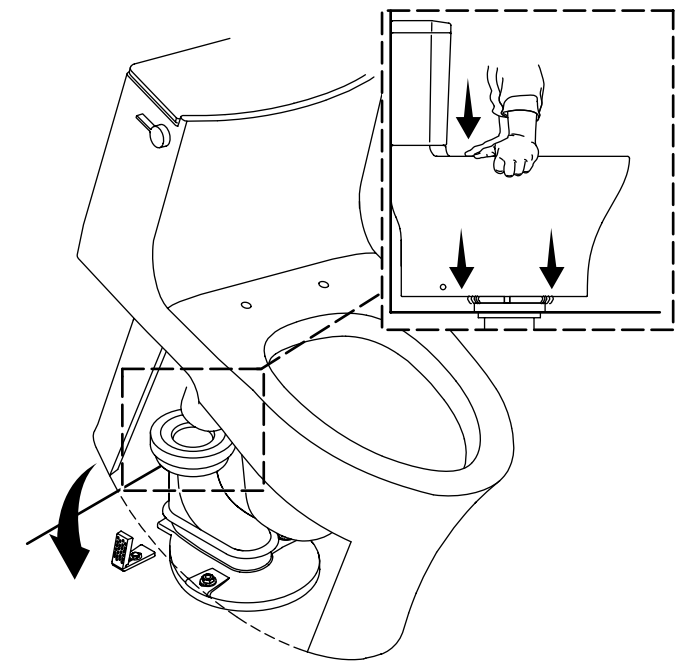
6



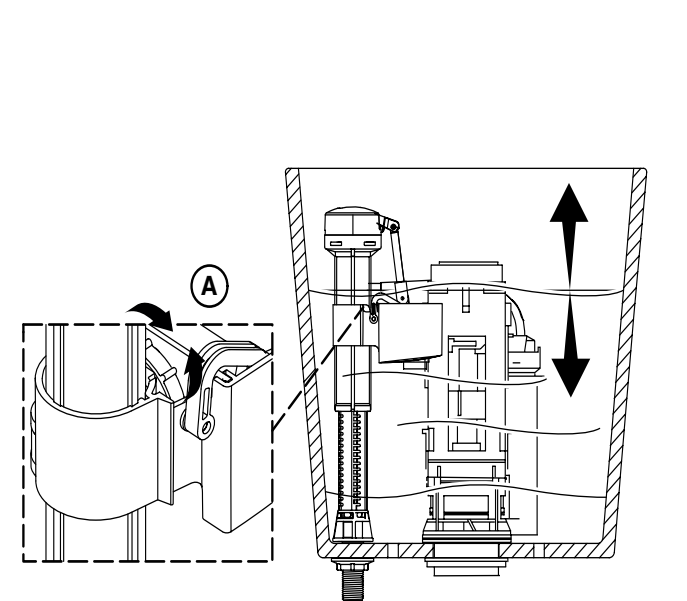
9



12



15



16A. Install the toilet seat according to the instructions included with the seat.

Need help? Contact the KOHLER Customer Care Center at 1-800-4KOHLER (1-800-456-4537).

For care and cleaning and other information, visit kohler.com/clean.

This product is covered under the KOHLER® Warranty:

One-Year Limited Warranty. For a hardcopy of warranty terms, contact the Customer Care Center.

USA/Canada: 1-800-4KOHLER (1-800-456-4537)

Mexico: 001-800-456-4537

kohler.com/warranty

16A. Installer le siège de la toilette en suivant les instructions accompagnant le siège.

Besoin d'aide? Appeler le centre de services à la clientèle de KOHLER au 1-800-4KOHLER (1-800-456-4537).

Pour des renseignements sur l'entretien et le nettoyage et pour d'autres renseignements, visiter kohler.com/clean

Ce produit est couvert sous la garantie KOHLER® :

Garantie limitée d'un an. Pour obtenir une copie imprimée des termes de la garantie, s'adresser au centre de service à la clientèle.

USA/Canada : 1-800-4KOHLER (1-800-456-4537)

Mexique : 001-800-456-4537

kohler.com/warranty

16A. Instale el asiento del inodoro de acuerdo a las instrucciones que se incluyen con el asiento.

¿Necesita ayuda? Comuníquese con el Centro de Atención al Cliente de KOHLER al 1-800-4KOHLER (1-800-456-4537).

Para consultar información de cuidado, limpieza y de otro tipo, visite kohler.com/clean.

Este producto está cubierto bajo la garantía KOHLER®:

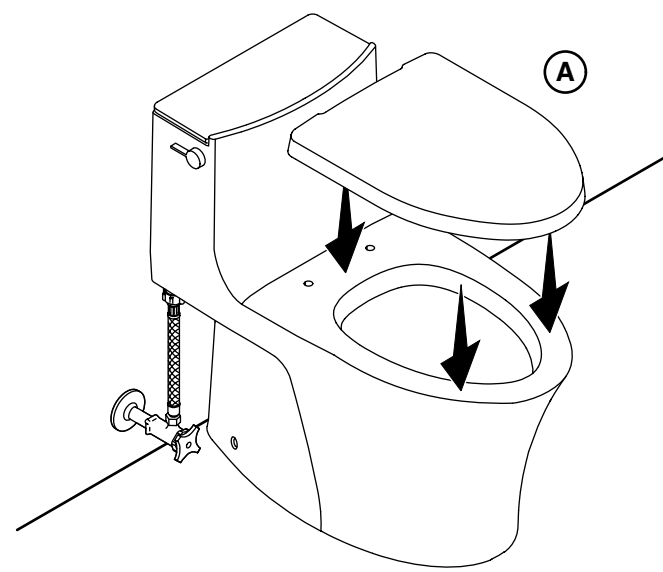
Garantía limitada de un año. Solicite una copia en papel de los términos de la garantía al Centro de Atención al Cliente.

EE.UU./Canadá: 1-800-4KOHLER (1-800-456-4537)

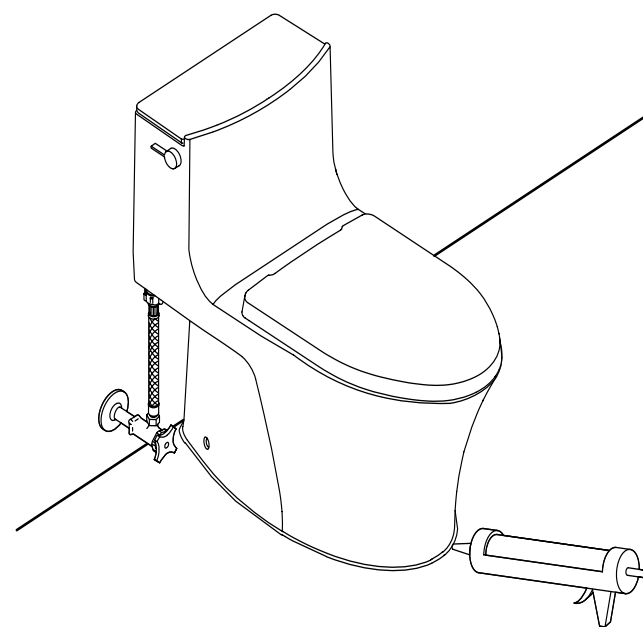
México: 001-800-456-4537

kohler.com/warranty

16



17



Troubleshooting Guide

1. Poor flush.

- Adjust the tank water level to match the waterline.
- Fully open the water supply shut-off valve.
- Clear obstructions from the trapway, jet, or bowl rim holes.
- Clear obstructions in the soil pipe or vent pipe.

2. No flush.

- Make sure the push button rods are in place. Adjust the length as needed.

3. The fill valve turns on/off by itself, or it runs, allowing water to enter the tank.

- Adjust the push button rods for proper slack so the flush valve seal is not held off the flush valve.
- Clean or replace the flush valve seal if it is worn, dirty, or misaligned with the valve seat, or if the flush valve seat is damaged.
- Remove the tank and tighten the flush valve nut if the flush valve gasket is leaking. Do not overtighten. If leakage continues, replace the gasket.
- Clean the fill valve seat/seat washer of debris, or replace the piston/seat washer assembly.
- Replace the fill valve if the valve float sinks.
- Adjust the tank water level if it is too high.

4. Long tank fill cycle.

- Fully open the water supply shut-off valve.
- Clean the valve inlet, valve head, or supply line. Flush the lines.

5. Noisy tank fill cycle.

- Partially close the water supply shut-off valve if the water pressure to the toilet is too high. Check the toilet performance following any such adjustment.
- Remove dirt or obstructions from the valve head. Flush the lines.

Guide de dépannage

1. Chasse médiocre.

- Régler le niveau d'eau du réservoir au niveau de la ligne d'eau.
- Ouvrir complètement le robinet d'arrêt d'alimentation en eau.
- Éliminer les obstructions des trous du siphon, du jet ou du rebord de la cuvette.
- Éliminer les obstructions dans le tuyau d'évacuation ou le tuyau de ventilation.

2. Pas de chasse.

- S'assurer que les tiges du bouton-poussoir sont en place. Ajuster la longueur selon les besoins.

3. La vanne de remplissage se met en marche/s'arrête d'elle-même, ou elle fonctionne en permettant à l'eau d'entrer dans le réservoir.

- Ajuster les tiges du bouton-poussoir au jeu adéquat afin que le joint du robinet de chasse ne soit pas bloqué de ce dernier.
- Nettoyer ou remplacer le joint du robinet de chasse s'il est usé, sale ou mal aligné avec le siège de la vanne ou si le siège du robinet de chasse est endommagé.
- Retirer le réservoir et serrer l'écrou du robinet de chasse si le joint statique de celui-ci présente des fuites. Ne pas trop serrer. Si la fuite continue, remplacer le joint statique.
- Nettoyer la rondelle du siège/le siège de la vanne de remplissage de tous débris, ou remplacer l'ensemble rondelle de siège/piston.
- Remplacer la vanne de remplissage si le flotteur de la vanne coule.
- Ajuster le niveau d'eau du réservoir s'il est trop élevé.

4. Cycle de remplissage long du réservoir.

- Ouvrir complètement le robinet d'arrêt d'alimentation en eau.
- Nettoyer l'entrée de la vanne, la tête de la vanne, ou la ligne d'alimentation. Purger les conduits.

5. Cycle de remplissage du réservoir bruyant.

- Fermer partiellement le robinet d'arrêt d'alimentation en eau si la pression d'eau vers la toilette est trop élevée. Vérifier la performance de la toilette après un tel réglage.
- Retirer toutes les saletés ou obstructions de la tête de la vanne. Purger les conduits.

Guía para resolver problemas

1. Descarga deficiente.

- Ajuste el nivel de agua en el tanque a la línea de agua.
- Abra por completo la llave de paso del suministro de agua.
- Retire las obstrucciones de la boca de sifón, del jet o de los orificios del borde de la taza.
- Elimine las obstrucciones de la tubería de desagüe o del tubo de ventilación.

2. No funciona la descarga.

- Asegúrese de que las varillas de los botones estén en su lugar. Ajuste la longitud según sea necesario.

3. La válvula de llenado se activa o desactiva por sí misma, o funciona, y permite que el agua entre al tanque.

- Ajuste la holgura de las varillas de los botones, de manera que el sello de la válvula de descarga no quede levantado de la válvula de descarga.
- Limpie o cambie el sello de la válvula de descarga si está deteriorado, sucio o desalineado con respecto al asiento de la válvula, o si el asiento de la válvula de descarga está dañado.
- Retire el tanque y apriete la tuerca de la válvula de descarga si el empaque de la válvula de descarga presenta fugas. No apriete demasiado. Si las fugas persisten, cambie el empaque.
- Limpie la suciedad del asiento de la válvula de llenado/arandela del asiento, o cambie el montaje del pistón/arandela del asiento.
- Cambie la válvula de llenado si el flotador de la válvula se hunde.
- Ajuste el nivel de agua en el tanque si está muy alto.

4. El ciclo de llenado del inodoro es prolongado.

- Abra por completo la llave de paso del suministro de agua.
- Limpie la entrada de la válvula, la cabeza de la válvula o la línea de suministro. Haga circular agua por las líneas.

5. El ciclo de llenado del tanque es ruidoso.

- Cierre parcialmente la llave de paso del suministro de agua si la presión de agua al inodoro es muy alta. Verifique el funcionamiento del inodoro después de cada ajuste.
- Elimine la suciedad o las obstrucciones de la cabeza de la válvula. Haga circular agua por las líneas.

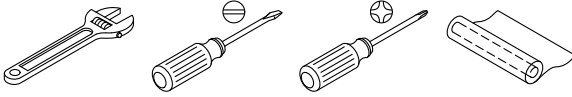
Installation Instructions

Cleansing Seat

Record your model number: _____







KOHLER®

Tools and Materials



Plastic Wrap

Before You Begin

-  **WARNING: Risk of electric shock.** Connect only to a circuit protected by a Class A Ground-Fault Circuit-Interrupter (GFCI)*, which protects against line-to-ground shock hazard. Use 120 V, 60 Hz, 15 A service.
-  **WARNING: Risk of electric shock.** Do not immerse or flush the product with water.
-  **CAUTION: Risk of product damage.** Do not install this product in a location exposed to excessive moisture where condensation might form on the product surface.
-  **CAUTION: Risk of product or property damage.** Pushing or pulling on the water connection may cause water leakage.
-  **CAUTION: Risk of product damage.** Do not supply electrical power to the unit until the plumbing installation work has been completed, as it may cause the product to malfunction.
-  **CAUTION: Risk of property damage.** A single extension cord may be used provided that the cord "Type" begins with "SJ", the cord is a 12 gauge, grounded (12/3), is no longer than 25 feet, and is plugged into a GFCI outlet. Promptly replace any extension cord that exhibits any sign of damage.

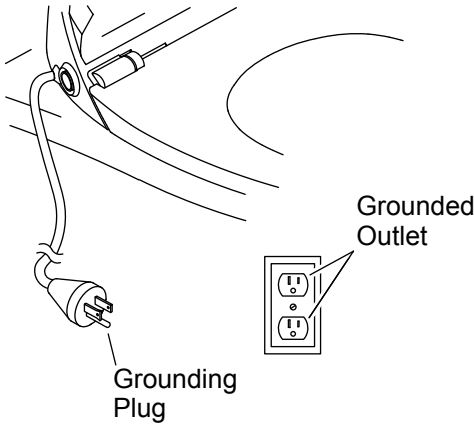
NOTE: The thermal protectors may trip during storage or transportation in warm weather causing the unit to not operate. Allow the unit to cool to room temperature before installation or operation.

Follow all local plumbing and electrical codes.

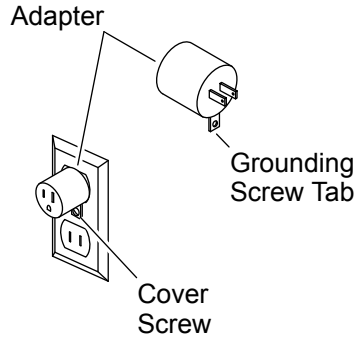
Connect the seat to a cold water supply of drinking quality with a pressure of 20 psi (139 kPa) - 80 psi (551 kPa).

*Outside North America, this may be known as a Residual Current Device (RCD).

Grounding Instructions



Preferred Connection



Temporary Connection

⚠ WARNING: Risk of electric shock. Connect only to a circuit protected by a Class A Ground-Fault Circuit-Interrupter (GFCI)*, which protects against line-to-ground shock hazard. Use 120 V, 60 Hz, 15 A service.

*Outside North America, this may be known as a Residual Current Device (RCD).

This product should be grounded. In the event of an electrical short circuit, grounding reduces the risk of electric shock by providing an escape wire for the electric current. This product is equipped with a cord having a grounding wire with a grounding plug. The plug must be plugged into an outlet that is properly installed and grounded.

⚠ DANGER: Risk of electric shock. Improper use of the grounding plug can result in a risk of electric shock.

If repair or replacement of the cord or plug is necessary, do not connect the grounding wire to either flat blade terminal. The wire with insulation having an outer surface that is green with or without yellow stripes is the grounding wire.

Check with a qualified electrician or service personnel if the grounding instructions are not completely understood, or if in doubt whether the product is properly grounded.



CAUTION: Risk of property damage. A single extension cord may be used provided that the cord "Type" begins with "SJ", the cord is a 12 gauge, grounded (12/3), is no longer than 25 feet, and is plugged into a GFCI outlet. Promptly replace any extension cord that exhibits any sign of damage.

NOTICE: Follow local codes when determining the connection type. The temporary connection may not be permitted by local electrical codes.

NOTICE: To avoid possible product malfunction, do not plug in the seat until instructed.

Preferred Connection

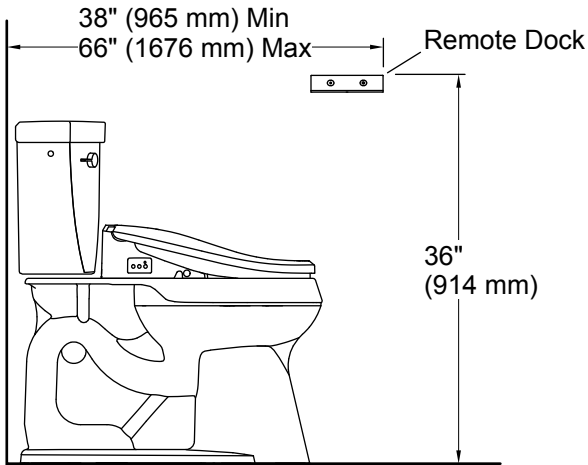
Connect the grounding plug into a grounded outlet that has the same configuration as the plug.

Temporary Connection

NOTICE: Unless the outlet cover screw is grounded through the house wiring, attaching the adapter grounding screw tab to the cover screw will NOT ground the unit. If there is any doubt whether the cover screw is grounded, have it checked by a qualified electrician or service professional.

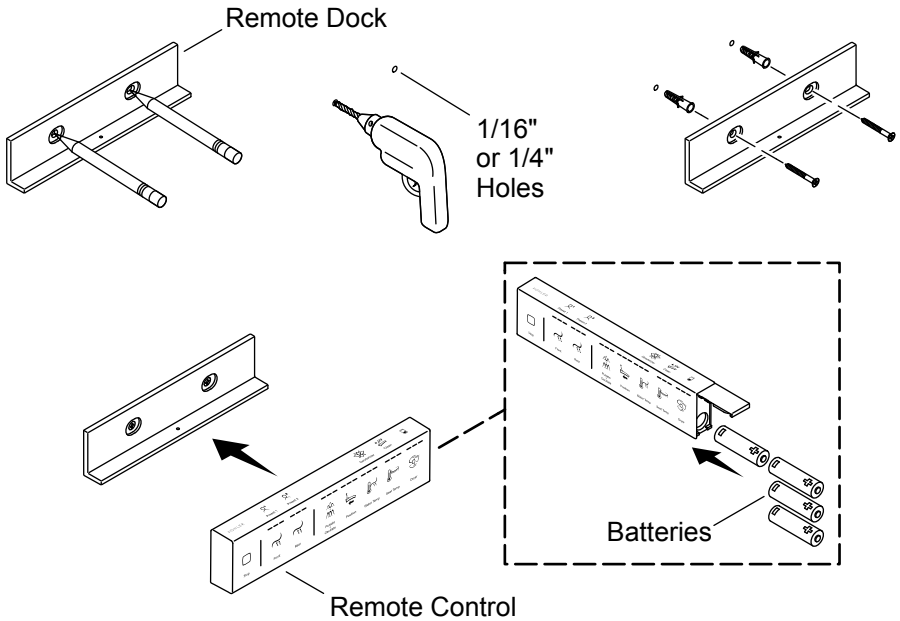
A temporary connection with a two-prong adapter may be used where local codes permit, provided the adapter is grounded.

1. Preparation



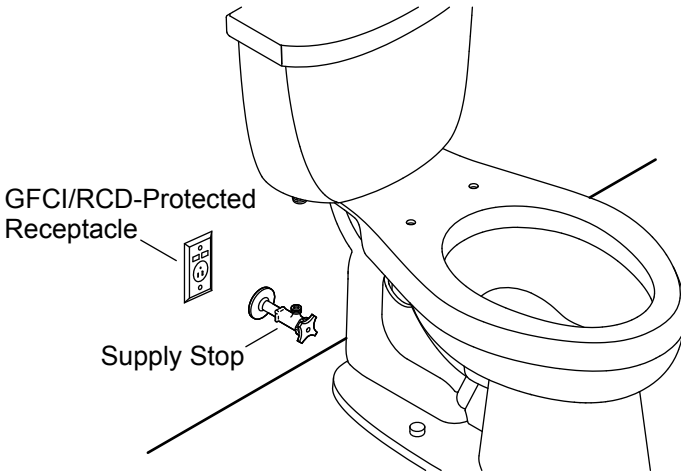
- If applicable, remove the existing toilet seat.
- Turn OFF the water supply to the toilet.
- Flush the toilet to relieve any pressure from the water supply hose.
- Disconnect the water supply hose from the toilet fill valve.
- Determine the installation location for the remote control docking station on the wall.

2. Install the Remote Dock



- Position the remote dock at the desired mounting location.
- Confirm that the remote dock is level.
- Using a pencil, mark the two mounting-hole locations. Set the remote dock aside.
- For installation into a stud or other wood surface:** Drill a $1/16''$ hole at each of the marked locations.
- For installation using wall anchors:** Drill a $1/4''$ hole at each of the marked locations. Install the provided wall anchors into the holes.
- Position the remote dock over the anchors or marks. Secure the remote dock with the provided screws.
- Open the battery compartment on the remote control. Install the four provided AA batteries in the orientation shown.
- Position the remote control on the remote dock.

3. Install an Electrical Outlet

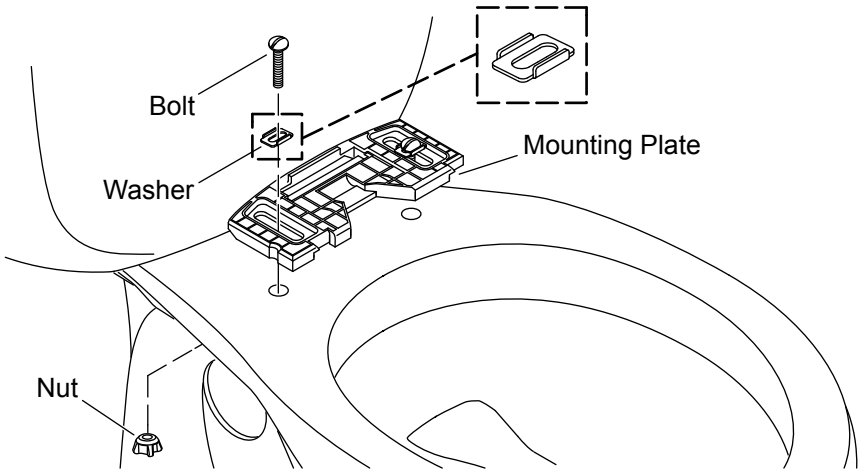


WARNING: Risk of electric shock. Connect only to a circuit protected by a Class A Ground-Fault Circuit-Interrupter (GFCI)*, which protects against line-to-ground shock hazard. Use 120 V, 60 Hz, 15 A service.

*Outside North America, this may be known as a Residual Current Device (RCD).

- NOTICE:** Do not use an extension cord with the product.
- NOTE:** Follow local codes when determining the electrical outlet location.
- Install a 120 V GFCI- or RCD-protected electrical outlet within 32" (813 mm) of the toilet to accommodate the length of the power cord.
- Do not plug in the seat until instructed to do so.

4. Install the Mounting Plate



- Position the mounting plate over the mounting holes on the bowl.
- Position the left and right inserts in the grooves on the mounting plate.

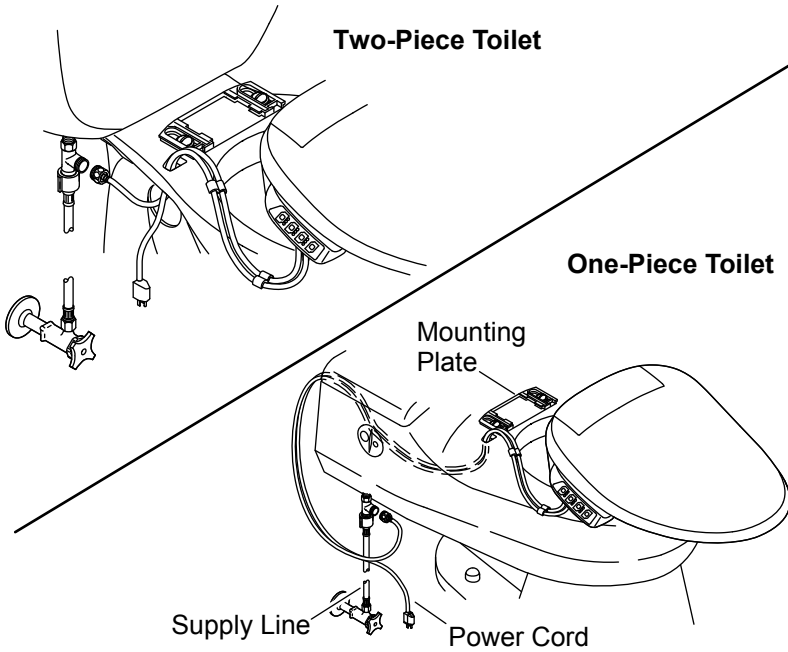
Toilets with Threaded Mounting Holes

- Insert the bolts through the inserts and thread into the mounting holes.
- Do not fully tighten at this time.

All Other Installations

- Insert the bolts through the inserts and into the mounting holes.
- Thread a nut onto each bolt.
- Do not fully tighten at this time.

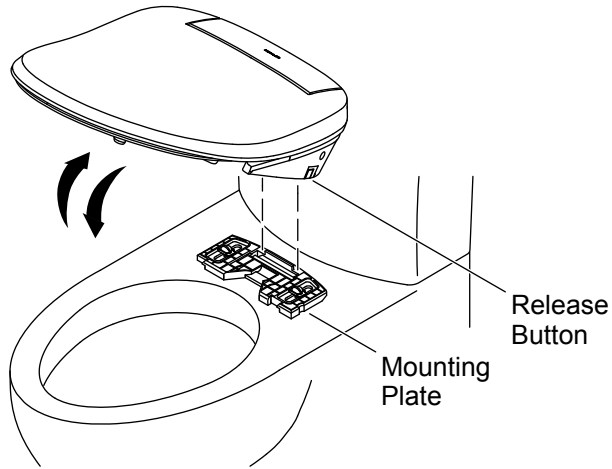
5. Hidden Cord Installations (Optional)



NOTE: Some toilet models have a hidden cord option. If installing a toilet with a hidden cord option, use the water line that is supplied with the toilet.

NOTE: Ensure that the cord routing does not interfere with the fill valve operation. When installing the seat in a hidden cord installation, run the power cord and water line through the opening in the toilet.

6. Install the Seat



Position the Seat

- Engage the rear edge of the seat with the lip on the mounting bracket. Then tilt the seat down to lock into place.
- Check the positioning of the seat. Adjust the position if needed.

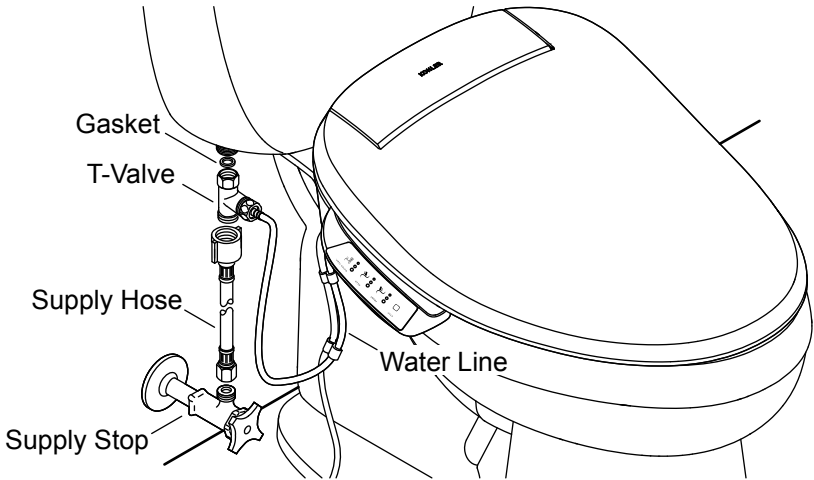
Adjust the Seat

- Press and hold the release button.
- Tilt the seat up and lift to remove. Avoid putting pressure on the hoses.
- Reposition the mounting plate as needed.

Install the Seat

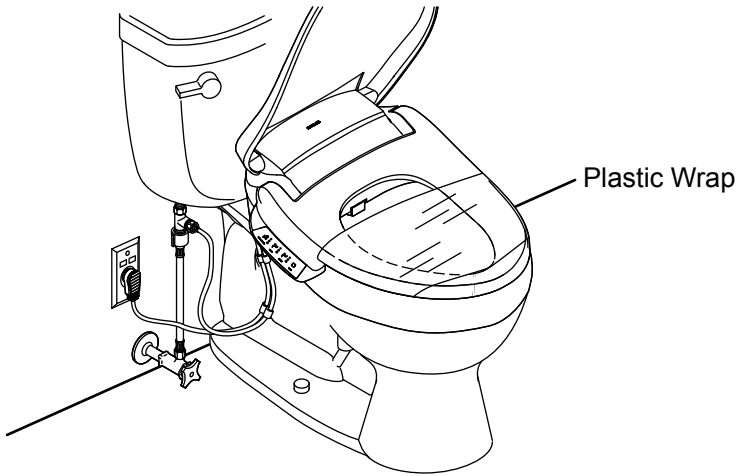
- Securely tighten the mounting plate bolts and nuts.
- Engage the rear edge of the seat with the lip on the mounting bracket. Tilt the seat down to lock in place.

7. Connect the Water Supply



- CAUTION: Risk of product or property damage.** Pushing or pulling on the water connection may cause water leakage.
- NOTICE:** Use care to avoid cross threading or overtightening the connections. Use an adjustable wrench to tighten one-quarter turn past hand-tight.
- Connect the T-valve to the water line.
- If needed, connect the supply hose to the supply stop.
- Connect the supply hose to the T-valve.
- Connect the T-valve to the water inlet on the toilet tank. Verify the gasket is installed inside the T-valve.
- Turn ON the water supply.
- Check all connections for leaks, and make adjustments as needed.

8. Check Installation



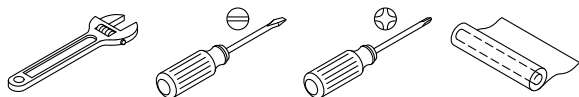
- NOTE:** Covering the seat with plastic wrap is optional. You can test the features while sitting on the cleansing seat or covering the wand with your hand.
- NOTE:** When testing the features, apply pressure to the right side (facing the toilet) of the seat. The features will not activate if there is no pressure on the seat.
- Wrap the seat with plastic wrap. This will prevent water from spraying beyond the toilet while testing.
- Plug the power cord into the electrical outlet. The seat will go through a power-up sequence. The seat will go silent when the power-up is complete.
- Refer to the Homeowners Guide to test the various seat features.

Instructions d'installation

Siège nettoyant







F
R

Outils et matériel



Film plastique étirable

Avant de commencer

-  **AVERTISSEMENT : Risque de choc électrique.** Seulement raccorder à un circuit qui est protégé par un disjoncteur de fuite de terre (GFCI)* de Classe A qui protège contre les risques d'électrocution de tension phase-terre. Utiliser un service de 120 V, 60 Hz, 15 A.
-  **AVERTISSEMENT : Risque de choc électrique.** Ne pas immerger ou purger le produit avec de l'eau.
-  **ATTENTION : Risque d'endommagement du produit.** Ne pas installer ce produit dans un emplacement exposé à un excès d'humidité et où de la condensation pourrait se former sur la surface du produit.
-  **ATTENTION : Risque d'endommagement du produit ou de dommages matériels.** Des fuites d'eau pourraient se produire si l'on pousse ou tire sur le raccord d'alimentation en eau.
-  **ATTENTION : Risque d'endommagement du produit.** Ne pas fournir d'alimentation électrique au dispositif avant d'avoir effectué le travail d'installation de la plomberie, étant donné que cela pourrait créer des problèmes de fonctionnement.
-  **ATTENTION : Risque de dommages matériels.** Il est possible d'utiliser une seule rallonge à condition que le « Type » de rallonge commence avec « SJ », qu'elle soit de calibre 12, qu'elle soit mise à la terre (12/3), qu'elle ne dépasse pas 25 pi, et qu'elle soit branchée dans une prise GFCI. Remplacer immédiatement une rallonge qui exhibe des signes de dommages quelconques.

REMARQUE: Les protecteurs thermiques pourraient se déclencher pendant l'entreposage ou le transport par temps chaud, et le dispositif ne fonctionnera pas.

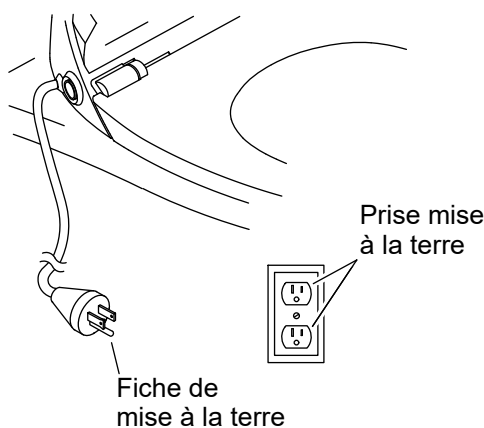
Laisser le dispositif se refroidir à la température ambiante avant de l'installer ou de l'utiliser.

Respecter tous les codes de plomberie et de bâtiment locaux.

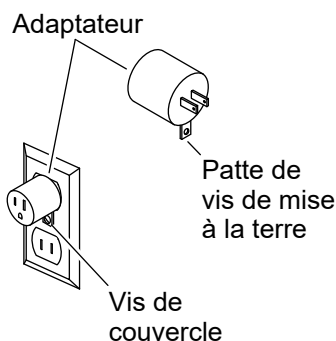
Connecter seulement le siège à une arrivée d'eau froide fournissant de l'eau d'une qualité potable à une pression de 20 (139 kPa) à 80 psi (551 kPa).

*Hors de l'Amérique du Nord, ce dispositif peut être connu sous le nom de dispositif à courant résiduel (RCD).

Instructions de mise à la terre



Connexion préférable



Connexion temporaire

⚠ AVERTISSEMENT: Risque de choc électrique. Seulement raccorder à un circuit qui est protégé par un disjoncteur de fuite de terre (GFCI)* de Classe A qui protège contre les risques d'électrocution de tension phase-terre. Utiliser un service de 120 V, 60 Hz, 15 A.

*Hors de l'Amérique du Nord, ce dispositif peut être connu sous le nom de dispositif à courant résiduel (RCD).

Ce produit doit être mis à la terre. En cas de court-circuit électrique, la mise à la terre réduit le risque de choc électrique en fournissant un câble d'échappement pour le courant électrique. Ce produit est équipé d'un cordon muni d'un câble de mise à la terre avec une fiche de mise à la terre. Cette fiche doit être branchée dans une prise installée et mise à la terre de manière adéquate.

⚠ DANGER: Risque de choc électrique. L'utilisation incorrecte de la fiche de mise à la terre peut résulter en risque de choc électrique.

S'il est nécessaire de remplacer le cordon ou la fiche, ne pas brancher le câble de mise à la terre à l'une des bornes à lame plate. Le câble avec isolation dont l'extérieur est vert avec ou sans rayures jaunes est le câble de mise à la terre.

Vérifier auprès d'un électricien qualifié ou d'un dépanneur si les instructions de mise à la terre ne sont pas bien comprises ou en cas de doute sur la mise à la terre adéquate du produit.



ATTENTION : Risque de dommages matériels. Il est possible d'utiliser une seule rallonge à condition que le « Type » de rallonge commence avec « SJ », qu'elle soit de calibre 12, qu'elle soit mise à la terre (12/3), qu'elle ne dépasse pas 25 pi, et qu'elle soit branchée dans une prise GFCI. Remplacer immédiatement une rallonge qui exhibe des signes de dommages quelconques.

AVIS: Suivre les codes locaux lors de la détermination du type de connexion. La connexion temporaire pourrait ne pas être permise par les codes électriques locaux.

AVIS: Ne pas brancher le siège avant instruction spécifique, afin d'éviter la possibilité d'un mauvais fonctionnement du produit.

Connexion préférable

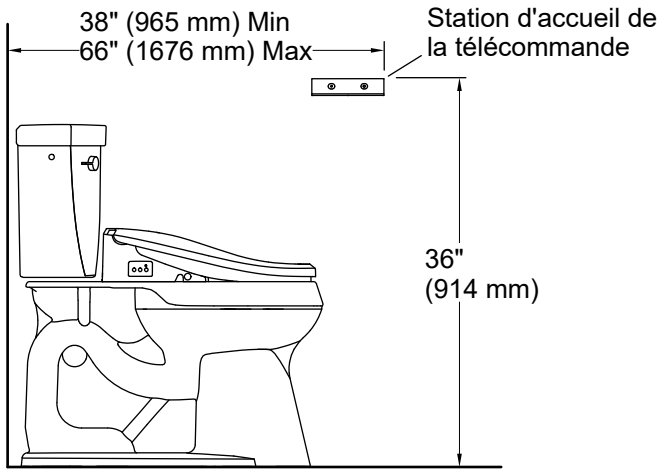
Connecter la fiche de mise à la terre à une prise mise à la terre ayant la même configuration que celle de la fiche.

Connexion temporaire

AVIS: À moins que la vis du couvercle de la prise ne soit mise à la terre à travers le câblage du logement, la fixation de la languette de la vis de mise à la terre de l'adaptateur à la vis du couvercle ne met PAS le dispositif à la terre. En cas de doute quelque quant à la mise à la terre de la vis du couvercle, demander à un électricien qualifié ou à un technicien professionnel de vérifier.

Une connexion temporaire avec un adaptateur à deux broches peut être utilisée là où les codes locaux le permettent, à condition que l'adaptateur soit mis à la terre.

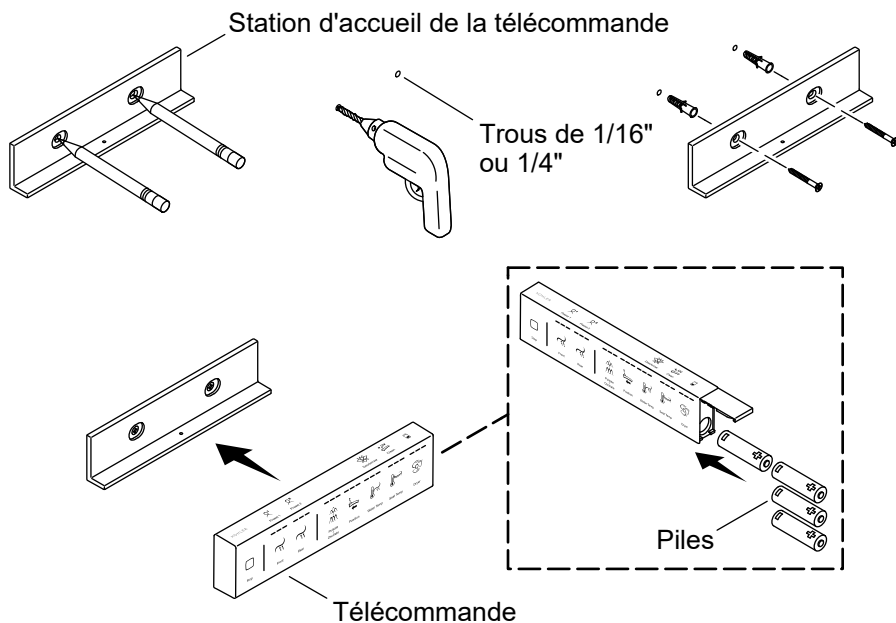
1. Préparation



- Le cas échéant, retirer le siège de toilette existant.
- Couper l'alimentation en eau vers la toilette.
- Passer la chasse pour relâcher toute pression du tuyau d'alimentation en eau.
- Déconnecter le tuyau d'alimentation en eau de la vanne de remplissage de la toilette.
- Déterminer l'emplacement d'installation pour la station d'accueil de la télécommande sur le mur.

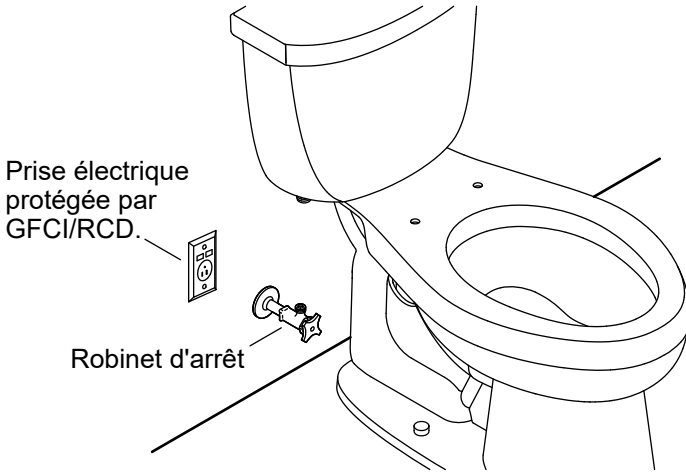
2. Installer la station d'accueil à distance

FR



- Positionner la station d'accueil de la télécommande à l'emplacement de fixation souhaité.
- Vérifier que la station d'accueil de la télécommande est de niveau.
- À l'aide d'un crayon, marquer les deux emplacements des trous de fixation. Mettre la station d'accueil de la télécommande de côté.
- Pour une installation dans un montant ou sur une autre surface en bois:** Percer un trou de 1/16" à chacun des emplacements marqués.
- Pour une installation utilisant des dispositifs d'ancrage muraux:** Percer un trou de 1/4" à chacun des emplacements marqués. Installer les dispositifs d'ancrage fournis dans les trous.
- Positionner la station d'accueil de la télécommande par-dessus les dispositifs d'ancrage ou les repères. Fixer la station d'accueil de la télécommande en place avec les vis fournies.
- Ouvrir le compartiment à piles sur la télécommande. Installer les quatre piles AA fournies en respectant l'orientation indiquée sur l'illustration.
- Positionner la télécommande sur la station d'accueil de la télécommande.

3. Installer une prise de courant



AVERTISSEMENT: Risque de choc électrique. Seulement raccorder à un circuit qui est protégé par un disjoncteur de fuite de terre (GFCI)* de Classe A qui protège contre les risques d'électrocution de tension phase-terre. Utiliser un service de 120 V, 60 Hz, 15 A.

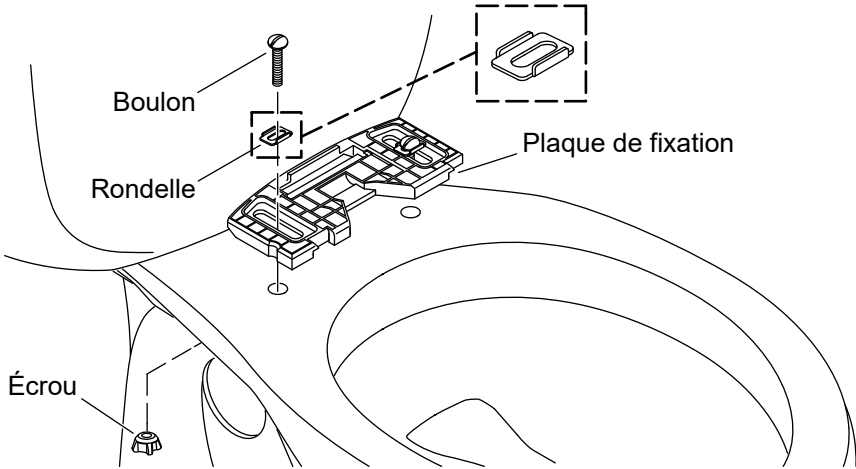
*Hors de l'Amérique du Nord, ce dispositif peut être connu sous le nom de dispositif à courant résiduel (RCD).

AVIS: Ne pas utiliser de cordon de rallonge avec le produit.

REMARQUE: Suivre les codes locaux lors de la détermination de l'emplacement de la prise électrique.

- Installer une prise électrique protégée par un dispositif GFCI ou RCD de 120 V dans un rayon de 32" (813 mm) de la toilette pour accommoder la longueur du cordon d'alimentation.
- Ne pas brancher le siège avant instruction spécifique.

4. Installer la plaque de fixation



- Positionner la plaque de fixation par-dessus les trous de fixation sur la cuvette.
- Positionner les pièces d'insertion de gauche et de droite dans les rainures se trouvant sur la plaque de fixation.

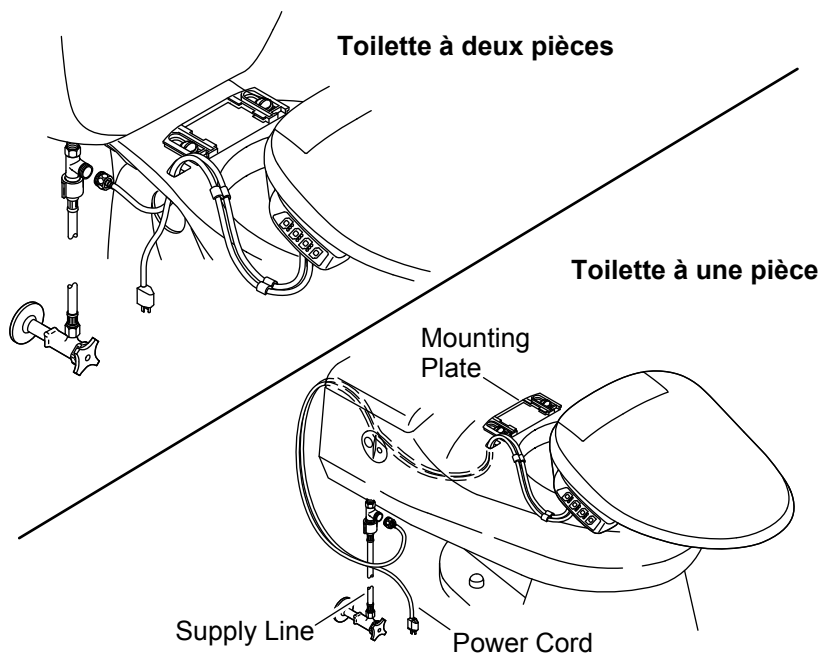
Toilettes munies de trous de fixation fileté

- Insérer les boulons dans les pièces d'insertion et les enfiler dans les trous de fixation.
- Ne pas serrer entièrement à ce point.

Toutes les autres installations

- Insérer les boulons dans les pièces d'insertion et dans les trous de fixation.
- Enfiler un écrou sur chaque boulon.
- Ne pas serrer entièrement à ce point.

5. Installations de cordon caché (optionnel)

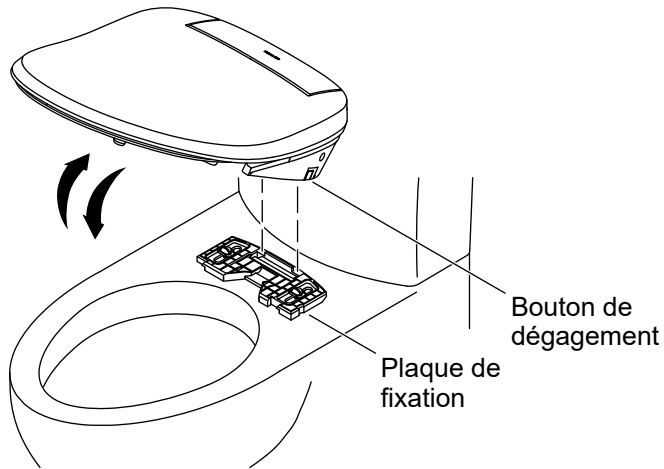


REMARQUE : Certains modèles de toilette disposent d'une option de cordon caché. Lors de l'installation d'une toilette disposant de l'option de cordon caché, utiliser la conduite d'eau qui est fournie avec la toilette.

REMARQUE : S'assurer que l'acheminement du cordon n'interfère pas avec le fonctionnement de la vanne de remplissage.

Lors de l'installation du siège dans une installation avec cordon caché, faire passer le cordon d'alimentation et la conduite d'eau par l'ouverture dans la toilette.

6. Installer le siège



Positionner le siège

- Engager le bord arrière du siège avec la lèvre sur le support de fixation. Basculer ensuite le siège vers le bas pour le verrouiller en place.
- Vérifier le positionnement du siège. Ajuster la position si nécessaire.

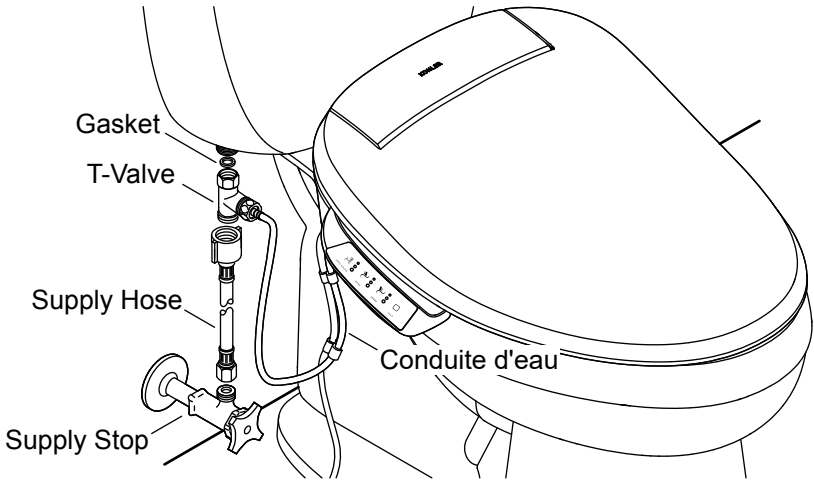
Ajuster le siège

- Appuyer et continuer à appuyer sur le bouton de dégagement.
- Basculer le siège vers le haut et le soulever pour le retirer. Éviter d'exercer une pression sur les tuyaux.
- Repositionner la plaque de fixation selon les besoins.

Installer le siège

- Bien serrer les boulons et les écrous de la plaque de fixation.
- Engager le bord arrière du siège avec la lèvre sur le support de fixation. Basculer ensuite le siège vers le bas pour le verrouiller en place.

7. Connecter l'alimentation en eau



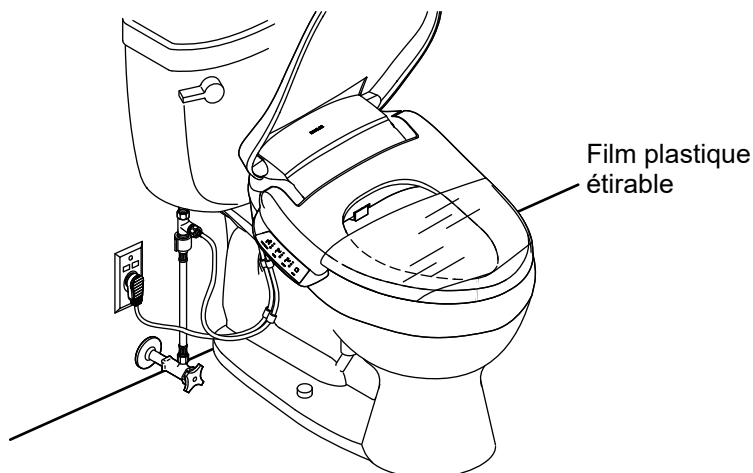
ATTENTION: Risque d'endommagement du produit ou de dommages matériels. Des fuites d'eau pourraient se produire si l'on pousse ou tire sur le raccord d'eau.

AVIS: Procéder avec soin afin d'éviter de fausser le filtag ou de serrer les connexions excessivement. Utiliser une clé à molif pour serrer d'un quart de tour au-delà du serrage à la main.

- Connecter la vanne en T à la conduite d'eau.
- Si nécessaire, connecter le tuyau d'alimentation au robinet d'arrêt d'alimentation.
- Connecter le tuyau d'alimentation à la vanne en T.
- Connecter la vanne en T à l'orifice d'entrée d'eau sur le réservoir de la toilette. Vérifier que le joint est installé dans la vanne en T.
- Ouvrir l'alimentation en eau.
- Inspecter tous les raccords pour y rechercher des fuites éventuelles effectuer des ajustements au besoin.

8. Vérifier l'installation

F
R



REMARQUE : Il est également possible de recouvrir le siège avec un film plastique étirable. Les fonctions peuvent être testées pendant que l'on est assis sur le siège nettoyant ou que l'on couvre la baguette avec la main.

REMARQUE : Lors du test des fonctions, appliquer une pression sur le côté droit (face à la toilette) du siège. Les fonctions ne s'activent pas si aucune pression n'est exercée sur le siège.

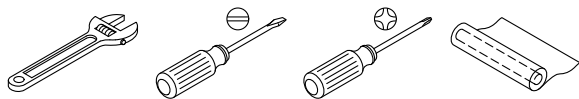
- Envelopper le siège avec du film plastique étirable. Cela empêchera l'eau de jaillir au-delà de la toilette pendant les tests.
- Brancher le cordon d'alimentation dans la prise électrique. Le siège passera par une séquence de mise sous tension. Le siège ne fait plus de bruit lorsque la mise en marche est terminée.
- Consulter le guide du propriétaire pour tester les diverses fonctionnalités du siège.

Instrucciones de instalación

Asiento de limpieza







E
S

Herramientas y materiales



Envoltura de plástico

Antes de comenzar

-  **ADVERTENCIA: Riesgo de sacudidas eléctricas.** Conecte solo a un circuito protegido por un interruptor de circuito con pérdida a tierra (GFCI)* clase A, que proteja contra peligros de sacudida eléctrica de línea a tierra. Utilice un servicio de 120 V, 60 Hz, 15 A.
-  **ADVERTENCIA: Riesgo de sacudidas eléctricas.** No sumerja ni lave el producto con agua.
-  **PRECAUCIÓN: Riesgo de daños al producto.** No instale este producto en un lugar donde quede expuesto a humedad excesiva, donde pudiera formarse condensación en la superficie del producto.
-  **PRECAUCIÓN: Riesgo de daños al producto o a la propiedad.** Si se empuja o si se tira de la conexión de agua podrían ocasionarse fugas de agua.
-  **PRECAUCIÓN: Riesgo de daños al producto.** No suministre corriente eléctrica a la unidad mientras no se haya completado la instalación de la plomería, ya que esto podría causar que el producto no funcionara bien.
-  **PRECAUCIÓN: Riesgo de daños a la propiedad.** Se puede usar un cable de extensión siempre que su tipo comience con las letras "SJ", que sea de calibre 12, que tenga conexión a tierra (calibre 12/3 alambres), que no sea más largo de 25 pies, y que quede conectado a un tomacorriente con protección GFCI. Reemplace con urgencia cualquier cable de extensión que parezca estar dañado.

NOTA: En climas cálidos los protectores térmicos podrían activarse durante el almacenamiento o el transporte, lo que causaría que la unidad no funcionara. Antes de instalar la unidad o ponerla en funcionamiento, deje que se enfríe hasta la temperatura ambiente.

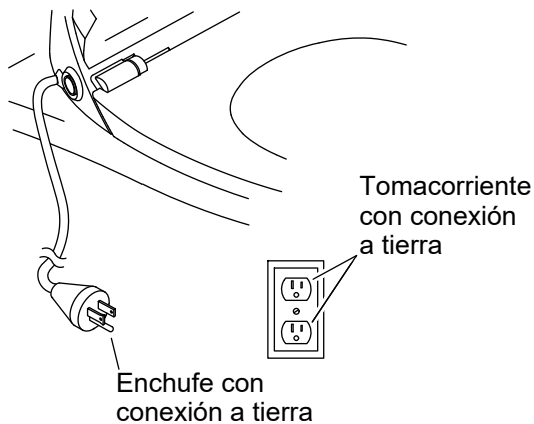
Cumpla todos los códigos locales de plomería y construcción.

Conecte el asiento solamente a un suministro de agua fría potable, a una presión entre 20 psi (139 kPa) y 80 psi (551 kPa).

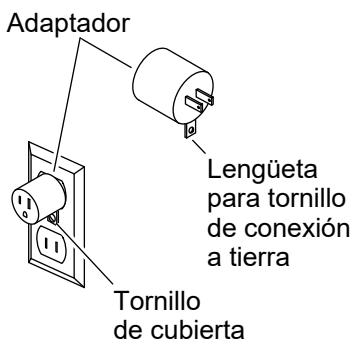
*Fuera de Estados Unidos es posible que este dispositivo se conozca como dispositivo de corriente residual (RCD, por sus siglas en inglés).

Instrucciones de conexión a tierra

ES



Conexión de preferencia



Conexión provisional



ADVERTENCIA: Riesgo de sacudidas eléctricas. Conecte solo a un circuito protegido por un interruptor de circuito con pérdida a tierra (GFCI)* clase A, que proteja contra peligros de sacudida eléctrica de línea a tierra. Utilice un servicio de 120 V, 60 Hz, 15 A.

*Fuera de Estados Unidos es posible que este dispositivo se conozca como dispositivo de corriente residual (RCD, por sus siglas en inglés).

Este producto se debe conectar a tierra. En caso de que haya un corto en el circuito eléctrico, la conexión a tierra reduce el riesgo de sacudida eléctrica ya que proporciona un alambre de escape para la corriente eléctrica. Este producto está equipado con un cable que tiene un alambre de conexión a tierra y un enchufe con conexión a tierra. El enchufe debe estar enchufado en un tomacorriente bien instalado y conectado a tierra.



PELIGRO: Riesgo de sacudidas eléctricas. El uso incorrecto del enchufe con conexión a tierra puede ocasionar un riesgo de sacudida eléctrica.

Si es necesario reparar o cambiar el cable o el enchufe, no conecte el alambre de conexión a tierra a ninguno de los terminales de hoja plana. El alambre con aislamiento con superficie exterior verde, con o sin rayas amarillas, es el alambre de conexión a tierra.

Si tiene alguna duda de si el producto está bien conectado a tierra o si las instrucciones de conexión a tierra no están completamente claras, solicite la verificación de un electricista calificado o de personal de servicio.



PRECAUCIÓN: Riesgo de daños a la propiedad. Se puede usar un cable de extensión siempre que su tipo comience con las letras "SJ", que sea de calibre 12, que tenga conexión a tierra (calibre 12/3 alambres), que no sea más largo de 25 pies, y que quede conectado a un tomacorriente con protección GFCI. Reemplace con urgencia cualquier cable de extensión que parezca estar dañado.

AVISO: Cumpla los códigos locales cuando determine el tipo de conexión. Es posible que los códigos eléctricos locales no permitan la conexión provisional.

AVISO: Para evitar el posible mal funcionamiento del producto, no enchufe el asiento mientras no se le indique hacerlo.

Conexión de preferencia

Conecte el enchufe con conexión a tierra en un tomacorriente conectado a tierra que tenga la misma configuración que el enchufe.

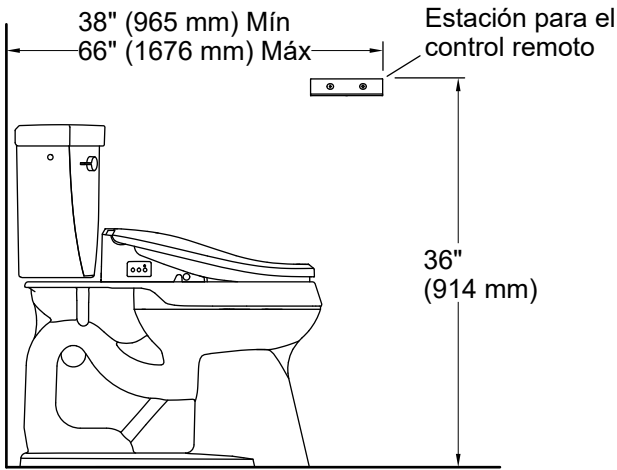
Conexión provisional

AVISO: A menos que el tornillo de la tapa del tomacorriente tenga conexión a tierra a través del cableado de la casa, fijar la lengüeta del tornillo de conexión a tierra del adaptador al tornillo de la tapa NO conecta la unidad a tierra. Si tiene alguna duda de que el tornillo de la tapa esté conectado a tierra, solicite la verificación de un electricista calificado o profesional de servicio.

Donde los códigos locales lo permitan es posible hacer una conexión provisional con un adaptador de dos clavijas, siempre y cuando el adaptador tenga conexión a tierra.

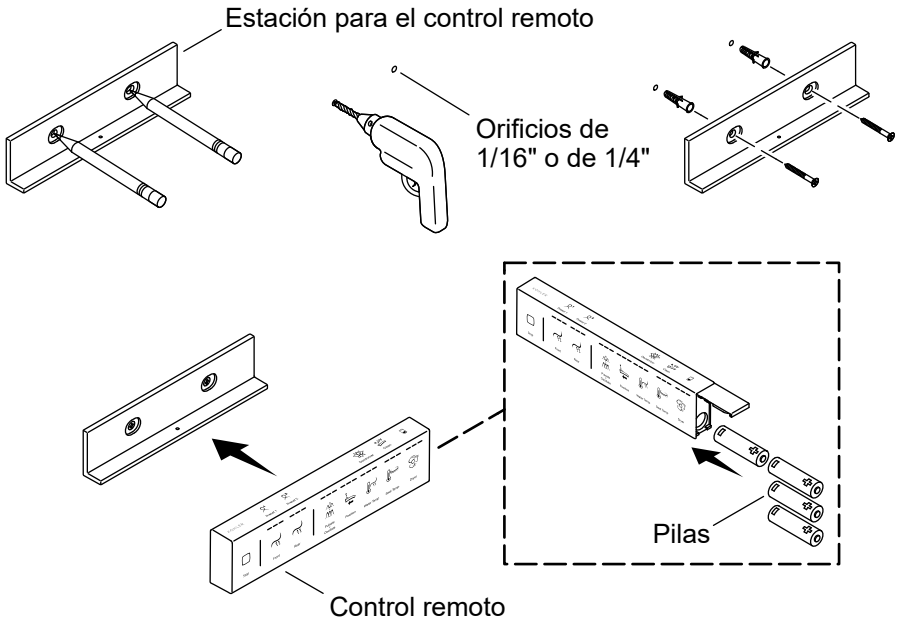
1. Preparación

ES



- Si corresponde, retire el asiento que actualmente tiene el inodoro.
- Cierre el suministro de agua al inodoro.
- Accione la descarga del inodoro para eliminar la presión que pueda haber en la manguera de suministro de agua.
- Desconecte la manguera de suministro de agua de la válvula de llenado del inodoro.
- Determine el lugar de instalación en la pared para la estación para el control remoto.

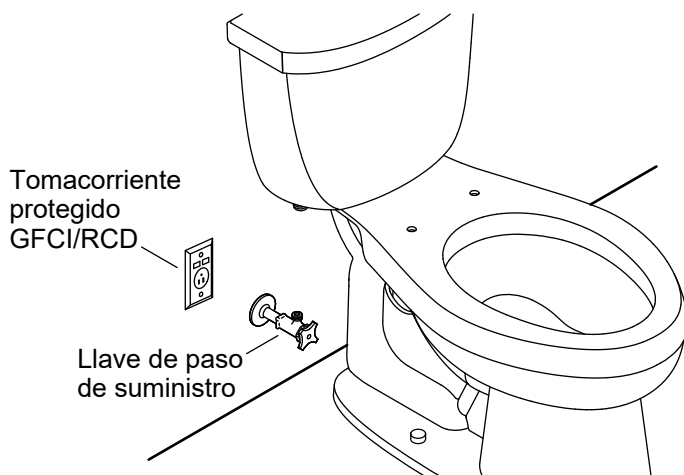
2. Instale la estación para el control remoto



- Coloque la estación para el control remoto en el lugar deseado de montaje.
- Confirme que la estación para el control remoto esté nivelada.
- Marque con un lápiz los lugares de los dos orificios de montaje. Coloque la estación para el control remoto a un lado.
- Para instalación a un poste u otra superficie de madera: Taladre un orificio de 1/16" en cada lugar marcado.
- Para la instalación utilizando anclajes de pared: Taladre un orificio de 1/4" en cada lugar marcado. Instale los anclajes de pared, que se incluyen, en los orificios.
- Coloque la estación para el control remoto sobre los anclajes o las marcas. Fije la estación para el control remoto con los tornillos que se incluye.
- Abra el compartimento de pilas en el control remoto. Instale las 4 pilas AA que se incluyen en la orientación ilustrada.
- Coloque el control remoto en la estación para el control remoto.

3. Instale un tomacorriente

ES



⚠ ADVERTENCIA: Riesgo de sacudidas eléctricas. Conecte solo a un circuito protegido por un interruptor de circuito con pérdida a tierra (GFCI)* clase A, que proteja contra peligros de sacudida eléctrica de línea a tierra. Utilice un servicio de 120 V, 60 Hz, 15 A.

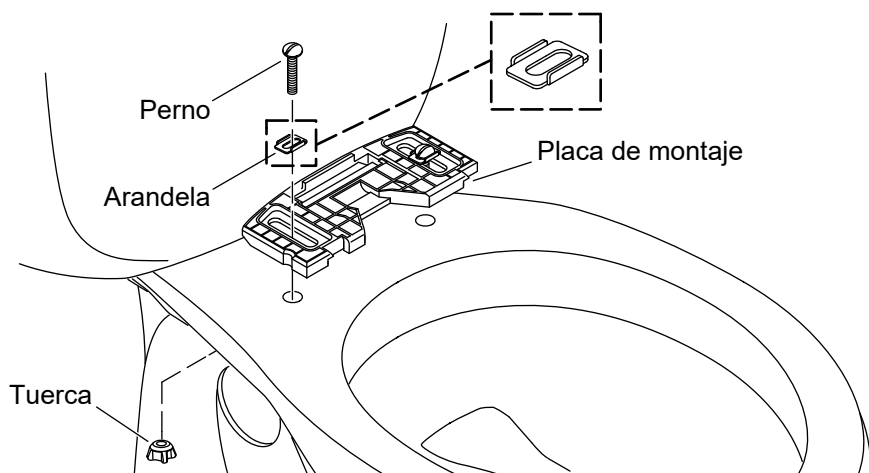
*Fuera de Estados Unidos es posible que este dispositivo se conozca como dispositivo de corriente residual (RCD, por sus siglas en inglés).

AVISO: No utilice un cable de extensión con el producto.

NOTA: Cumpla los códigos locales cuando determine la ubicación del tomacorriente.

- Instale un tomacorriente protegido por un GFCI o por un RCD de 120 V a menos de 32" (813 mm) del inodoro para ajustarse a la longitud del cable de suministro eléctrico.
- No enchufe el asiento hasta que se le indique.

4. Instale la placa de montaje



E
S

- Coloque la placa de montaje sobre los orificios de montaje en la taza del inodoro.
- Coloque los insertos izquierdo y derecho en las ranuras en la placa de montaje.

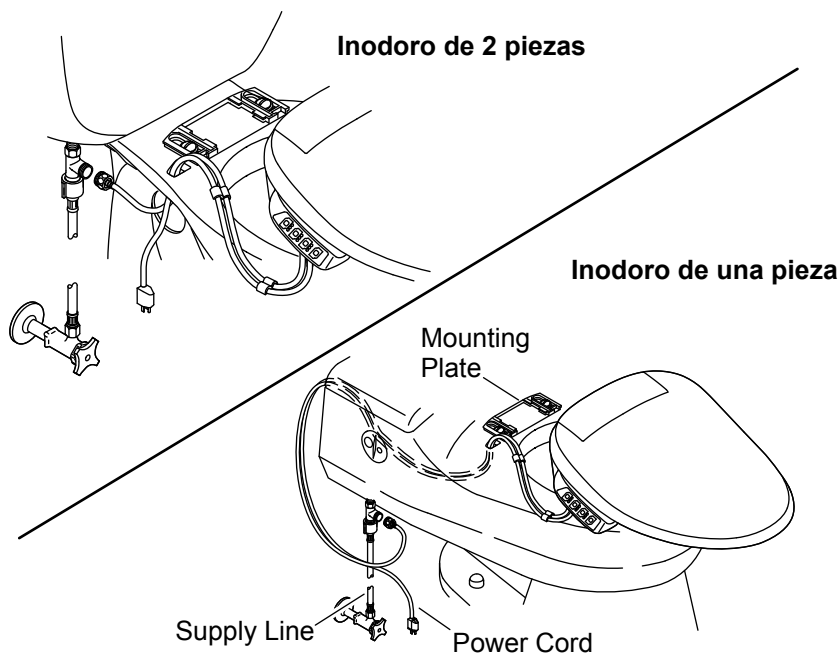
Inodoros con orificios de montaje roscados

- Introduzca cada uno de los pernos a través de los insertos, y enrósquelos en los orificios de montaje.
- No apriete por completo en este momento.

En el resto de las instalaciones

- Introduzca cada uno de los pernos a través de los insertos y dentro de los orificios de montaje.
- Enrosque una tuerca en cada perno.
- No apriete por completo en este momento.

5. Instalaciones de cables ocultos (opcional)

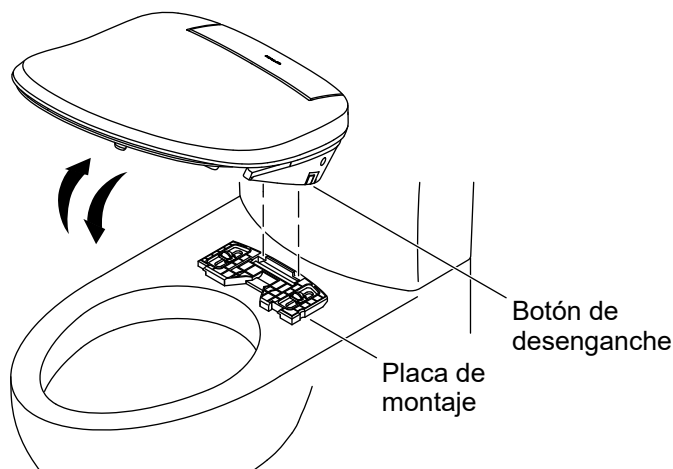


NOTA: Algunos modelos de inodoros tienen la opción de tener cables ocultos. Al instalar un inodoro con la opción de cables ocultos, use la línea de suministro de agua que se incluye con el inodoro.

NOTA: Asegúrese de que los cables tendidos no interfieran con el funcionamiento de la válvula de llenado.

Al instalar el asiento en una instalación de cables ocultos, tienda el cable de suministro eléctrico y la línea de suministro de agua a través de la abertura en el inodoro.

6. Instale el asiento



Coloque el asiento

- Enganche el borde posterior del asiento con el labio en el soporte de montaje. Luego incline el asiento hacia abajo para bloquearlo en su lugar.
- Revise la posición del asiento. Ajuste la posición, si es necesario.

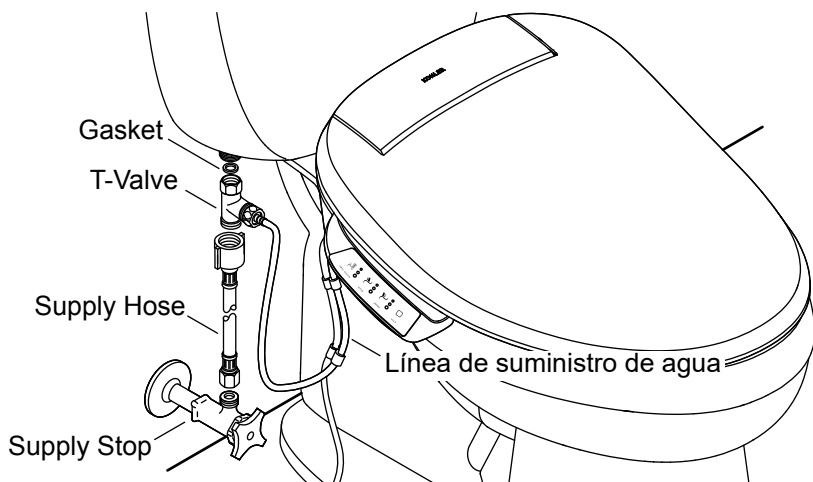
Ajuste el asiento

- Oprima y sostenga oprimido el botón de desenganche.
- Incline el asiento hacia arriba y levántelo para retirarlo. Evite ejercer presión en las mangueras.
- Cambie la posición de la placa de montaje lo que sea necesario.

Instale el asiento

- Apriete con firmeza los pernos y las tuercas en la placa de montaje.
- Enganche el borde posterior del asiento con el labio en el soporte de montaje. Luego incline el asiento hacia abajo para bloquearlo en su lugar.

7. Conecte el suministro de agua

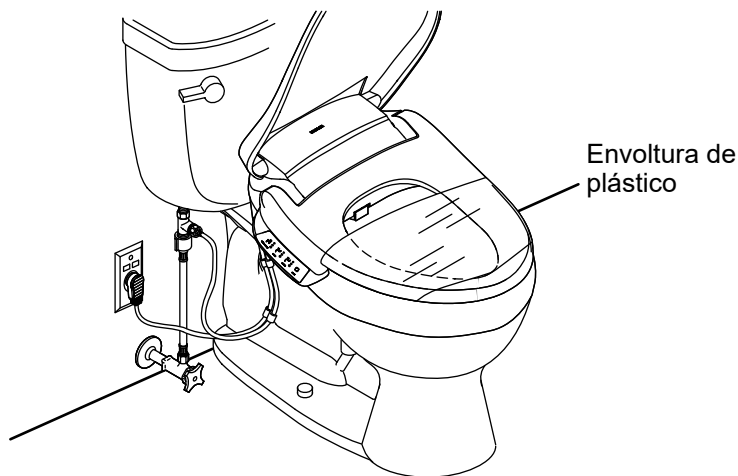


PRECAUCIÓN: Riesgo de daños a la propiedad. No empuje ni jale la conexión de agua entre el asiento y la llave de paso del suministro de agua. Así se evitan las fugas de agua.

AVISO: Tenga cuidado para evitar dañar las roscas o apretar demasiado las conexiones. Con una llave de apriete ajustable, apriete un cuarto de vuelta adicional después de apretar a mano.

- Conecte la válvula en T a la línea de suministro de agua.
- De ser necesario, conecte la manguera de suministro a la llave de paso de suministro.
- Conecte la manguera de suministro a la válvula en T.
- Conecte la válvula en T a la entrada de agua en el tanque del inodoro.
- Abra el suministro de agua.
- Revise todas las conexiones para asegurarse de que no haya fugas, y haga los ajustes necesarios.

8. Revise la instalación



E
S

NOTA: Cubrir el asiento con envoltura de plástico es opcional. También puede comprobar las funciones estando sentado en el asiento de limpieza o cubriendo la varilla con la mano.

NOTA: Al probar las funciones, aplique presión al lado derecho (de cara al inodoro) del asiento. Las funciones no se activan si no hay presión en el asiento.

- Envuelva el asiento con envoltura de plástico. Esto evita que el agua salpique más allá del inodoro durante las pruebas.
- Enchufe el cable eléctrico al tomacorriente. El asiento pasa por una secuencia de encendido. El asiento queda en silencio al completarse la secuencia de encendido.
- Consulte la Guía del propietario para probar las distintas funciones del asiento.

USA/Canada: 1-800-4KOHLER (1-800-456-4537)
Mexico: 001-800-456-4537
kohler.com

THE BOLD LOOK
OF **KOHLER**®

©2020 Kohler Co.



1354689-2

1354689-2-B