



Irvine™ Comfort Height® elongated toilet bowl with skirted trapway K-20485

Features

- Elongated bowl offers added room and comfort.
- Skirted trapway simplifies cleaning.
- Revolution 360® swirl flushing technology generates a forceful swirling motion to keep the bowl cleaner, longer.
- Comfort Height® feature offers chair-height seating that makes sitting down and standing up easier for most adults.
- 2-1/8" fully glazed trapway.
- CleanCoat™ technology inhibits the growth of water scale and mineral stains for improved ease of cleaning.
- Combines with the K-20205/-RA or K-90098 tank to create a complete K-20450/-RA Irvine™ or K-90097 Irvine™ ContinuousClean toilet.

Installation

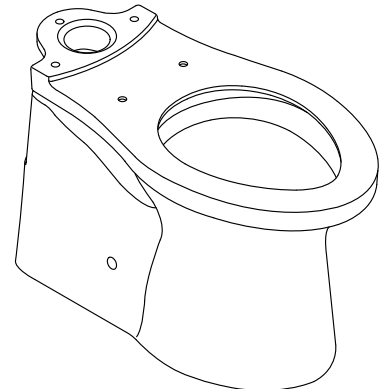
- Standard 12" rough-in.
- 10" and 14" rough-in kits are also available.
- Seat not included.
- Patented ReadyLock™ installation system is a simple solution for skirted toilets that saves time, hassle and eliminates the need to drill into the floor for a standard 12" rough-in.

Recommended Products/Accessories

K-20203 toilet tank
K-20203-RA toilet tank
K-90098

Included Components

Additional Components:
ReadyLock™ installation system



Codes/Standards

ASME A112.19.2/CSA B45.1

KOHLER® One-Year Limited Warranty

See website for detailed warranty information.



Irvine™ Comfort Height®
elongated toilet bowl with skirted trapway
K-20485

No image available.

This product is a component and not intended to be a standalone installation.

Technical Information

All product dimensions are nominal.

Toilet type:	Two-piece, Floor-mount
Waste Outlet:	Floor
Bowl shape:	Elongated
Water Consumption	
Full:	1.28 gpf (4.8 lpf)
Water surface size:	9-3/8" x 7-3/16" (238 mm x 183 mm)
Rough-in:	12

Fixture Supply Requirements

Min static pressure:	15 psi (103.4 kPa)
Max static pressure:	80 psi (551.6 kPa)

Notes

Install this product according to the installation instructions.

Features

- 1.28 gallons per flush (gpf).
- Standard left-hand Polished Chrome trip lever included.
- Supply line not included.
- Combines with the K-20485 bowl to create a complete K-20450 Irvine™ toilet.

Technology

- Single-flush gravity uses the force of gravity and a precision-engineered tank, bowl and trapway to create a strong siphon during flushing.
- AquaPiston® canister allows water to flow out of the tank from all sides (360 degrees), increasing the power and effectiveness of the flush.
- Flush valve's 3:2 ratio harnesses the natural force of gravity and optimizes flush performance.
- Durable canister design has 90% less exposed seal material than a 3" flapper, for leak-free performance.
- Light-touch canister flush requires a lower actuation force than a flapper.

Recommended Products/Accessories

K-20485 elongated toilet bowl with skirted trapway



Codes/Standards

ASME A112.19.2/CSA B45.1

KOHLER® One-Year Limited Warranty

See website for detailed warranty information.

No image available.

This product is a component and not intended to be a standalone installation.

Technical Information

All product dimensions are nominal.

Toilet type:	Two-piece, Floor-mount
Waste Outlet:	Floor
Flush type:	Gravity siphon jet
Water Consumption	
Full:	1.28 gpf (4.8 lpf)
Rough-in:	12

Fixture Supply Requirements

Min static pressure:	15 psi (103.4 kPa)
Max static pressure:	80 psi (551.6 kPa)

Notes

Install this product according to the installation instructions.

Features

- Hybrid heater provides continuously heated water for consistent comfort.
- Heated seat with five temperature settings.
- Stainless steel wand with automatic UV-light self-sanitization.
- LED lighting illuminates the bowl to serve as a night-light.
- Sleek, handheld remote control with two programmable user presets.
- Front and Rear Wash modes provide warm water for cleansing.
- Adjustable water temperature and water pressure.
- Choose oscillating or pulsating spray.
- Warm-air drying system with adjustable air speed and temperature.
- Automatic deodorization with carbon filter for odor control.
- Quiet-Close™ lid closes slowly and quietly without slamming.
- Quick-Release™ hinges allow seat to be unlatched from toilet for easy removal and convenient cleaning; no tools required.
- Grip-Tight bumpers add stability and prevent shifting.
- Ergonomically designed for comfortable seating.

Material

- Plastic

Installation

- Requires connection to toilet water supply line. All hoses and connections are included.
- Requires Phillips screwdriver and adjustable wrench for installation.
- Dedicated electrical GFCI circuit required (120V, 15A, 60Hz, 1800W).
- Fits most elongated toilets.

Components

Additional included component/s: T-fitting, Inlet water supply hose, and Seat mounting bracket.



Codes/Standards

ASME A112.4.2/CSA B45.16
UL 1431
CSA C22.2 No. 64
CSA C22.2 No. 68

KOHLER® Intelligent Toilet and C3® Cleansing Seat Three-Year Limited Warranty

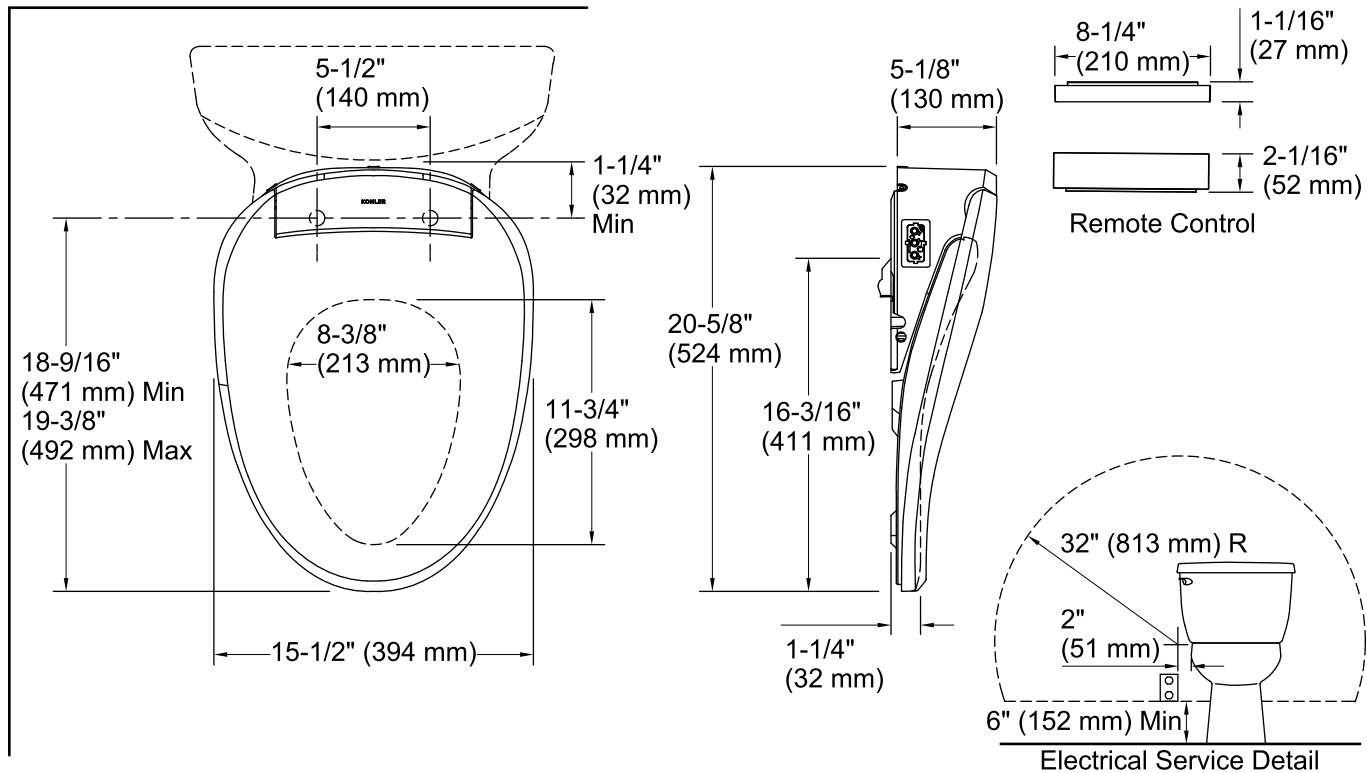
See website for detailed warranty information.

Available Color/Finishes

Color tiles intended for reference only.

Color	Code	Description
-------	------	-------------

	0	White
--	---	-------



Required Electrical Service

One circuit required, protected with Class A Ground-Fault Circuit-Interrupter (GFCI) or Residual Current Device (RCD).

120 V, 15 A, 60 Hz

Technical Information

All product dimensions are nominal.

Seat shape type: Elongated
 Seat front type: Closed-front
 Seat-mounting holes: 5-1/2" (140 mm)
 Power cord length: 43" (1092 mm)

Notes

Install this product according to the installation instructions.

Connect the seat to a cold water supply of drinking quality water at a pressure of 20 psi - 80 psi (139 kPa - 551 kPa).

Do not install this seat in a location where: (1) water might be splashed on the product or (2) excessive moisture, high humidity levels, or condensation is present. This will avoid damage to the electronic components.

Do not use an extension cord with this product.

To avoid possible product malfunction, do not plug in the seat until instructed to do so.

Locate the receptacle at least 6" (152 mm) above the floor, and within a 32" (813 mm) radius measured 2" (51 mm) from the bowl ledge.