



Cimarron®
 The Complete Solution® two-piece elongated toilet,
 1.28 gpf
K-31626-DRY

Features

- Two-piece design
- Elongated bowl offers added room and comfort
- Comfort Height® feature offers chair-height seating that makes sitting down and standing up easier for most adults
- 1.28 gpf (4.8 lpf)
- Left-hand Polished Chrome trip lever
- 2-1/8" (54 mm) fully glazed trapway
- Revolution 360® flushing technology generates a forceful swirling motion to keep the bowl clean longer
- The Complete Solution toilets provide everything you need, including bowl, tank, seat, wax ring, and hardware
- Combination consists of K-31588-0 bowl, K-31615-DRY tank, and K-20110 seat
- Quiet-Close® lid and seat prevents slamming
- Grip-Tight bumpers hold seat firmly in place
- Precision-engineered tank, bowl, and trapway create strong siphon during flushing
- CleanCoat™ surface treatment inhibits the growth of water scale and mineral stains for improved ease of cleaning
- AquaPiston® canister optimizes the flow out of the tank, harnessing gravity and the natural powerful reducing cascade of water to increase the power and effectiveness of the flush
- Easy-to-flush canister design requires less force to actuate than a 3" (76 mm) flapper, and has 90% less exposed seal material which resists conditions that cause wear, tear, shrinkage and swelling

Installation

- DryLock® system saves installation time and helps prevent water leakage
- Standard 12" (305 mm) rough-in
- Supply line sold separately

Included Components

- K-20110 Brevia™ Quiet-Close™ elongated toilet seat
- K-31588 Elongated toilet bowl
- K-31615-DRY Toilet tank, 1.28 gpf



ADA **CSA B651** **OBC**

Codes/Standards

- ASME A112.19.2/CSA B45.1
- DOE - Energy Policy Act 1992
- EPA WaterSense®
- California Energy Commission (CEC)
- ADA
- ICC/ANSI A117.1
- CSA B651
- OBC
- IAPMO Certification

KOHLER® Toilets and Seats Limited Warranty

See website for detailed warranty information.

Available Colors/Finishes

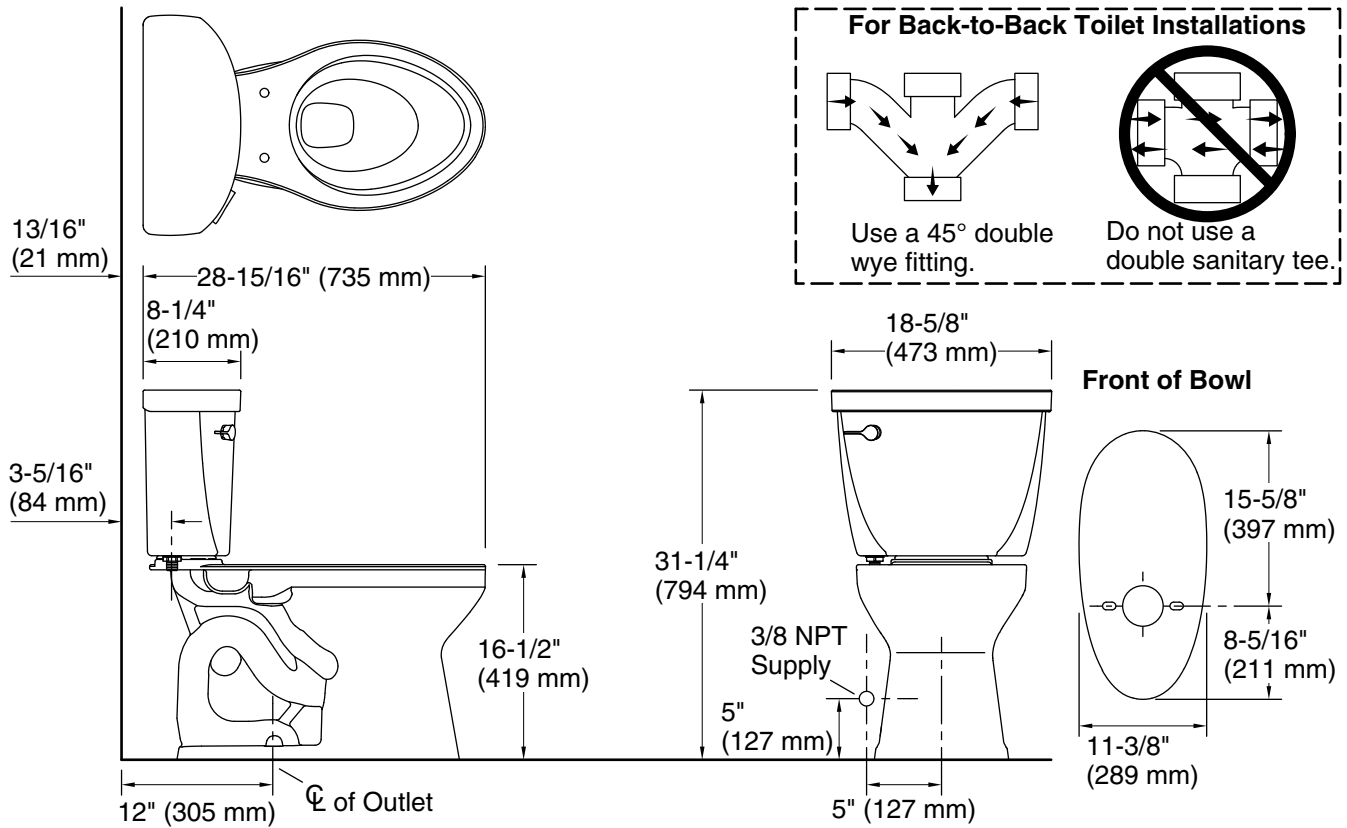
Color tiles intended for reference only.

Color Code Description

■ 0 White

KOHLER®

Cimarron®
The Complete Solution® two-piece elongated toilet,
1.28 gpf
K-31626-DRY



Technical Information

All product dimensions are nominal.

Toilet type:	Floor-mount
Waste Outlet:	Floor
Flush type:	AquaPiston, Revolution 360
Trap passageway:	2-1/8" (54 mm)
Water surface size:	10-3/8" x 8-1/8" (264 mm x 206 mm)
Rim to water surface:	6-1/2" (166 mm)
Rough-in:	12" (305 mm)
Seat-mounting holes:	5-1/2" (140 mm)

Notes

Install this product according to the installation instructions.

ADA, OBC, CSA B651 compliant when installed to the specific requirements of these regulations.

Plumbing codes may require elongated toilets and elongated, open-front seats in public bathrooms.

Accessibility standards may require controls to be located on the open side of the toilet.

1-800-4KOHLER (1-800-456-4537)

Kohler Co. reserves the right to make revisions without notice to product specifications.

For the most current Specification Sheet, go to www.kohler.com USA or www.kohler.ca Canada

8-8-2024 20:34 - US/CA

THE BOLD LOOK
OF **KOHLER®**