

## Features

- A single handle controls both on/off activation and temperature setting
- Coordinates with other products in the Buckley collection

## Installation

- Trim only; requires valve to complete installation (sold separately)

## Required Products/Accessories

For wall-mount installation

K-8300 Series Rite-Temp® Valve Body Rough-ins

K-8305 Series Rite-Temp® Cartridges

## Adapters, Rough-in and Extension Kits

8304-K-NA

Range: 2-3/16" (56 mm) -  
2-15/16" (75 mm)



ADA

CSA B651

OBC

## Codes/Standards

ASME A112.18.1/CSA B125.1

ADA

ICC/ANSI A117.1

CSA B651




OBC

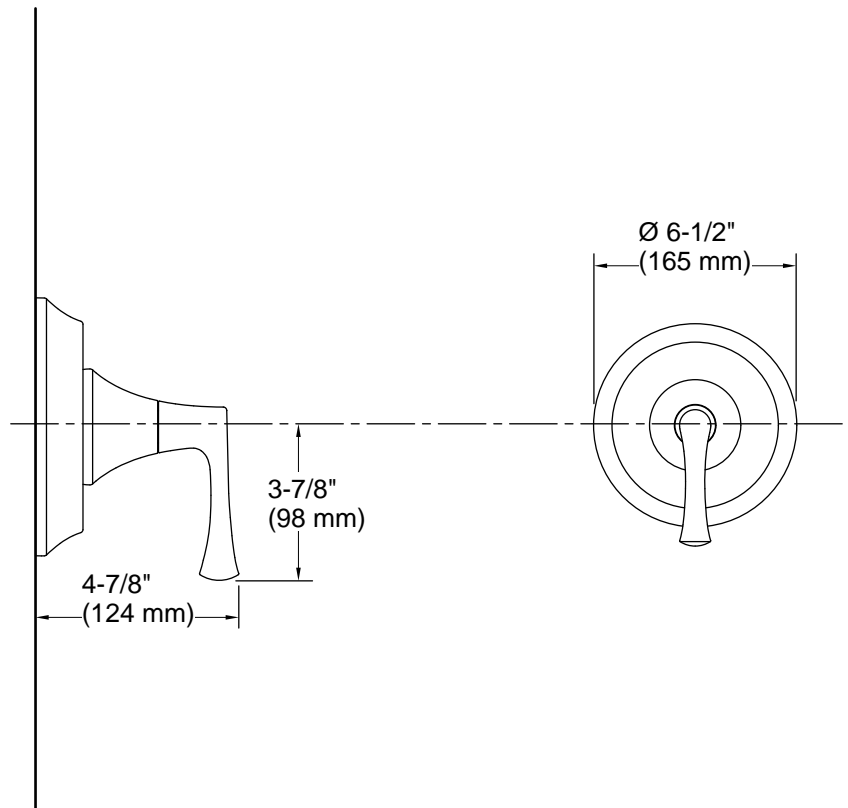
## KOHLER® Faucet Lifetime Limited Warranty

See website for detailed warranty information.

## Available Colors/Finishes

*Color tiles intended for reference only.*

Color	Code	Description
	CP	Polished Chrome
	BN	Vibrant® Brushed Nickel
	BL	Matte Black



## Technical Information

All product dimensions are nominal.

Drain included: No

### Spout:

### Handshower:

Rated maximum flow: 0 gal/min (0 l/min)

## Notes

Install this product according to the installation guide.

ADA, OBC, CSA B651 compliant when installed to the specific requirements of these regulations.