

Features

- A single handle controls both on/off activation and temperature setting
- Coordinates with other products in the Buckley collection

Installation

- Trim only; requires valve to complete installation (sold separately)

Required Products/Accessories

For wall-mount installation

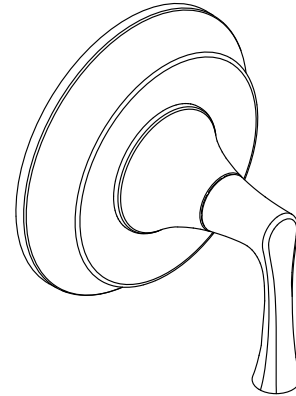
K-8300 Series Rite-Temp® Valve Body Rough-ins

K-8305 Series Rite-Temp® Cartridges

Adapters, Rough-in and Extension Kits

8304-K-NA

Range: 2-3/16" (56 mm) -
2-15/16" (75 mm)



ADA

CSA B651

OBC

Codes/Standards

ASME A112.18.1/CSA B125.1

ADA

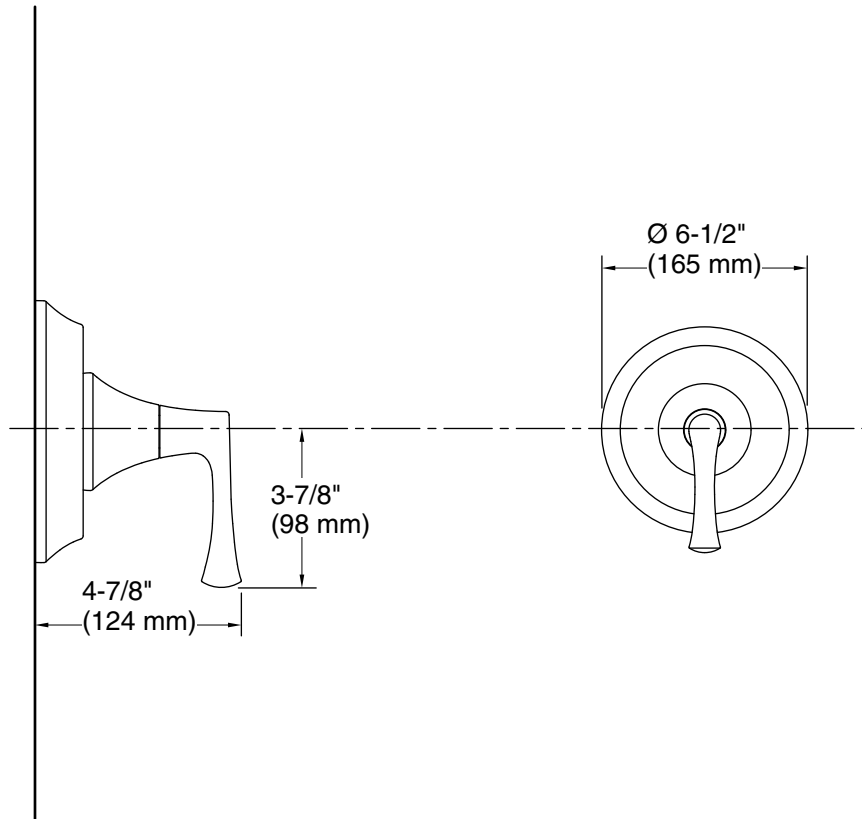
ICC/ANSI A117.1

CSA B651

OBC

KOHLER® Faucet Lifetime Limited Warranty

See website for detailed warranty information.



Technical Information

All product dimensions are nominal.

Drain included: No

Notes

Install this product according to the installation guide.

ADA, OBC, CSA B651 compliant when installed to the specific requirements of these regulations.