

Features

- Single-function 1.5 gpm (5.7 lpm) showerhead
- A single handle controls both on/off activation and temperature setting
- MasterClean™ sprayface features an easy-to-clean surface that withstands mineral buildup and maximizes spray performance
- Box includes: Showerhead, shower arm and flange, faceplate with lever handle
- Coordinates with other products in the Buckley collection
- This product can help a building earn Water Efficiency points in LEED® Green Building Rating System

Material

- Premium material construction with metal handle ensures reliability and durability
- KOHLER® finishes resist corrosion and tarnishing

Installation

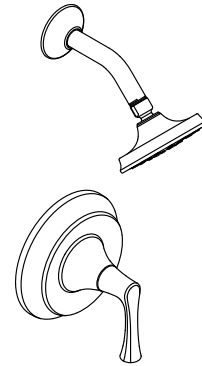
- Trim only; requires valve to complete installation (sold separately)

Required Products/Accessories

K-8304 Series Rite-Temp® Valve & Cartridge Kits

or

K-8300 Series Rite-Temp® Valve Body Rough-ins



Certified by IAPMO R&T

Codes/Standards

ASME A112.18.1/CSA B125.1

DOE - Energy Policy Act 1992

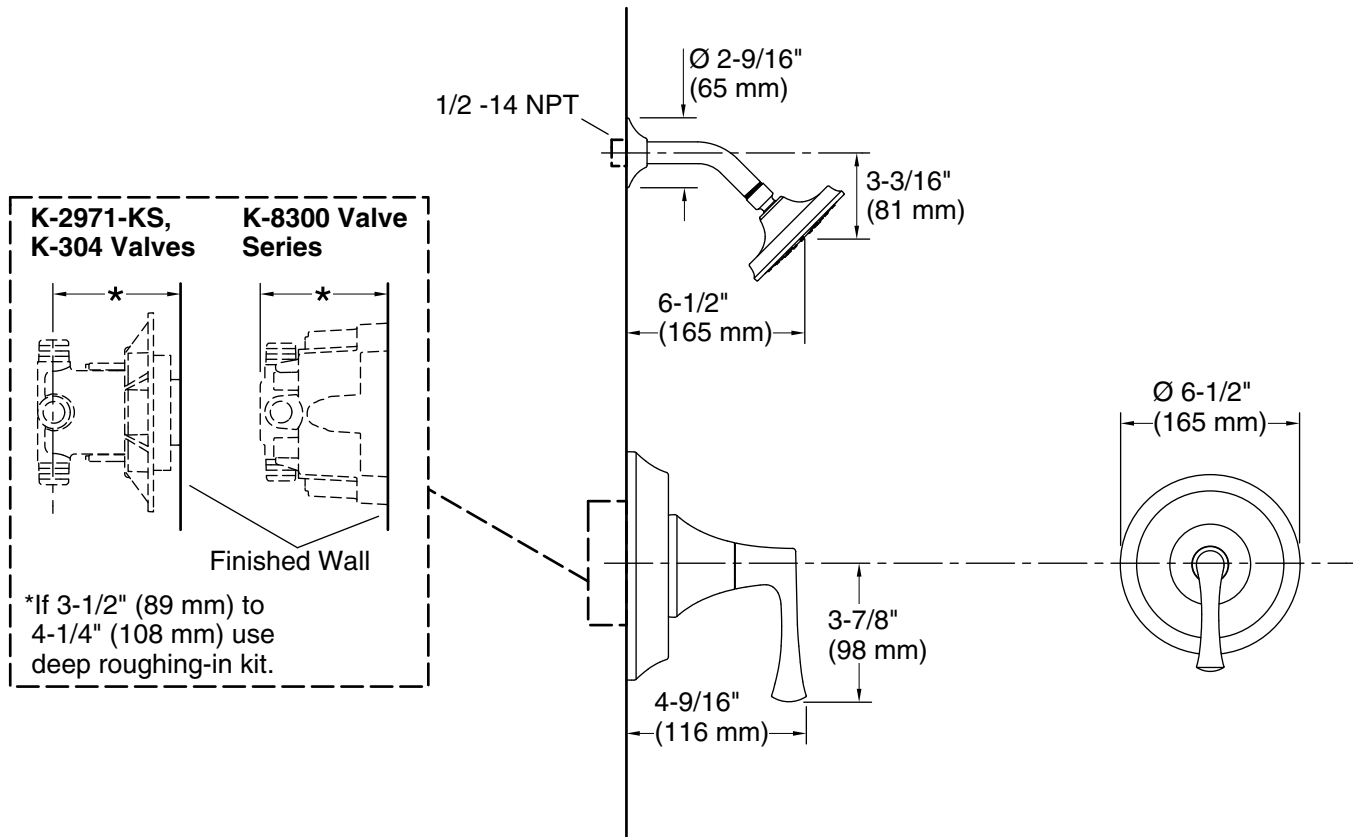
EPA WaterSense®

California Energy Commission (CEC)

IAPMO Certification

KOHLER® Faucet Lifetime Limited Warranty

See website for detailed warranty information.



Technical Information

All product dimensions are nominal.

Drain included: No

Showerhead/Body Spray:

Rated maximum flow: 1.5 gal/min (5.7 l/min)

Pressure: 60 psi (4.1 bar)

Notes

Install the product according to the installation guide.

NOTICE: Risk of product damage. Long screws, for installing trim, can damage the K-2971-KS valve. Consult the trim installation guide to verify if the thin wall installation kit (88526) is needed.