

## Features

- A single handle controls both on/off activation and temperature setting
- 5-1/16" (129 mm) diverter bath spout with slip-fit connection
- Box includes: Shower arm and flange, faceplate with lever handle, diverter bath spout with 1/2" slip-fit connection
- Showerhead sold separately
- Coordinates with other products in the Buckley collection

## Material

- Premium material construction with metal handle ensures reliability and durability
- KOHLER® finishes resist corrosion and tarnishing

## Installation

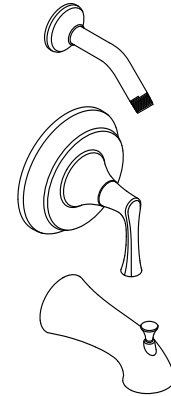
- Trim only; requires valve to complete installation (sold separately)

## Required Products/Accessories

K-8304 Series Rite-Temp® Valve & Cartridge Kits

or

K-8300 Series Rite-Temp® Valve Body Rough-ins

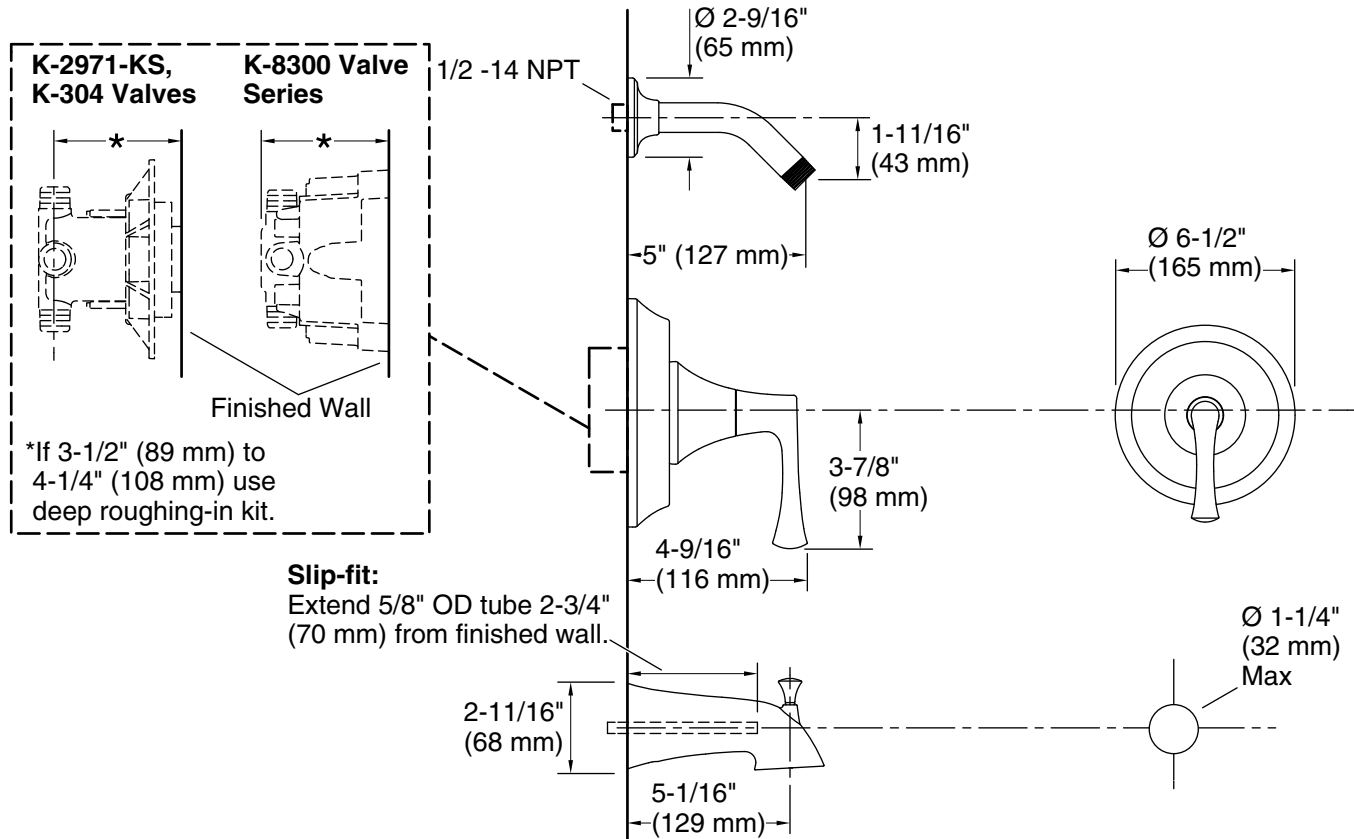


## Codes/Standards

ASME A112.18.1/CSA B125.1  
California Energy Commission (CEC)  
IAPMO Certification

## KOHLER® Faucet Lifetime Limited Warranty

See website for detailed warranty information.



## Technical Information

All product dimensions are nominal.

Drain included: No

### Spout:

Spout reach: 5-1/16" (128 mm)

## Notes

Install this product according to the installation guide.

Install straight pipe or tube drop of 7" (178 mm) to 18" (457 mm) with single elbow between the valve and the wall-mount spout.

**NOTICE:** Risk of product damage. Long screws, for installing trim, can damage the K-2971-KS valve. Consult the trim installation guide to verify if the thin wall installation kit (88526) is needed.