

# KOHLER® Faucets

Rite-Temp® bath and shower trim kit with push-button diverter, 2.5 gpm  
**K-T35944-4Y**

## Features

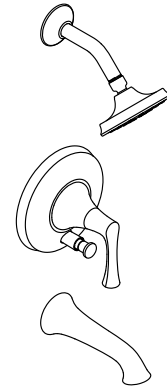
- Single-function 2.5 gpm (9.5 lpm) showerhead
- MasterClean™ sprayface features an easy-to-clean surface that withstands mineral buildup and maximizes spray performance
- A single handle controls both on/off activation and temperature setting
- 6-3/8" (162 mm) non-diverter bath spout with slip-fit connection
- Box includes: Showerhead, faceplate with lever handle and diverter, shower arm with flange, bath spout
- Requires valve (sold separately)
- Coordinates with other products in the Buckley collection

## Material

- Premium material construction with metal handle ensures reliability and durability
- KOHLER® finishes resist corrosion and tarnishing

## Required Products/Accessories

For wall-mount installation  
K-11748 Series Rite-Temp® Valves (Qty 2)



## Codes/Standards

ASME A112.18.1/CSA B125.1  
DOE - Energy Policy Act 1992  
IAPMO Certification

## KOHLER® Faucet Lifetime Limited Warranty

See website for detailed warranty information.

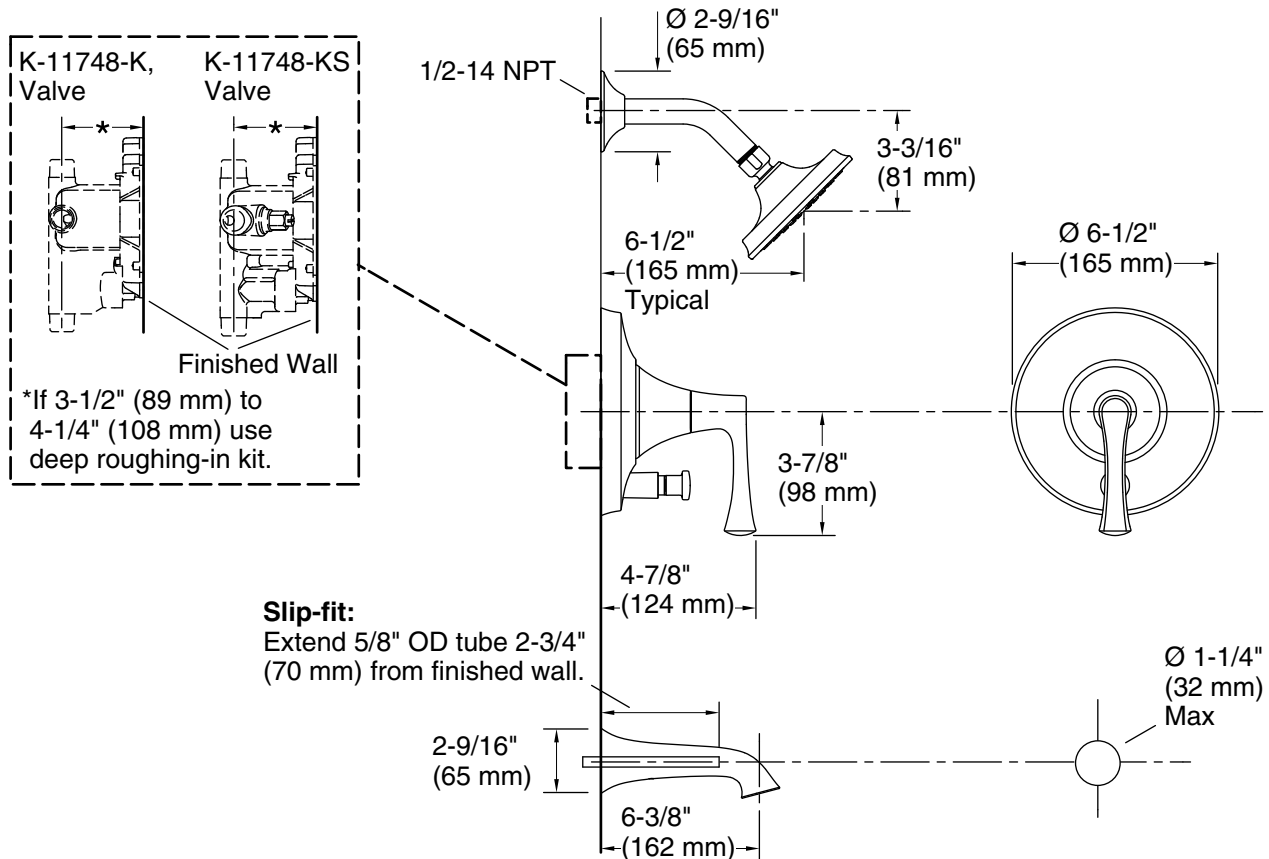
1-800-4KOHLER (1-800-456-4537)

Kohler Co. reserves the right to make revisions without notice to product specifications.

For the most current Specification Sheet, go to [www.kohler.com](http://www.kohler.com) USA or [www.kohler.ca](http://www.kohler.ca) Canada

6-26-2024 10:00 - US

THE BOLD LOOK  
OF **KOHLER**®



### Technical Information

All product dimensions are nominal.

Drain included: No

### Spout:

Spout reach: 6-3/8" (163 mm)

### Showerhead/Body Spray:

Rated maximum flow: 2.5 gal/min (9.5 l/min)

Pressure: 60 psi (4.1 bar)

### Notes

Install this product according to the installation guide.

Install straight pipe or tube drop of 7" (178 mm) to 18" (457 mm) with single elbow between the valve and the wall-mount spout.