

## Features

- A single handle controls both on/off activation and temperature setting
- Includes faceplate with lever handle and push-button diverter
- Coordinates with other products in the Buckley collection

## Material

- Premium material construction with metal handle ensures reliability and durability
- KOHLER finishes resist corrosion and tarnishing

## Installation

- Wall-mount
- Trim only; requires valve to complete installation (sold separately)

## Required Products/Accessories

For wall-mount installation  
K-11748 Series Rite-Temp® Valves (Qty 2)



ADA

CSA B651

OBC

## Codes/Standards



ASME A112.18.1/CSA B125.1  
ADA  
ICC/ANSI A117.1  
CSA B651  
OBC

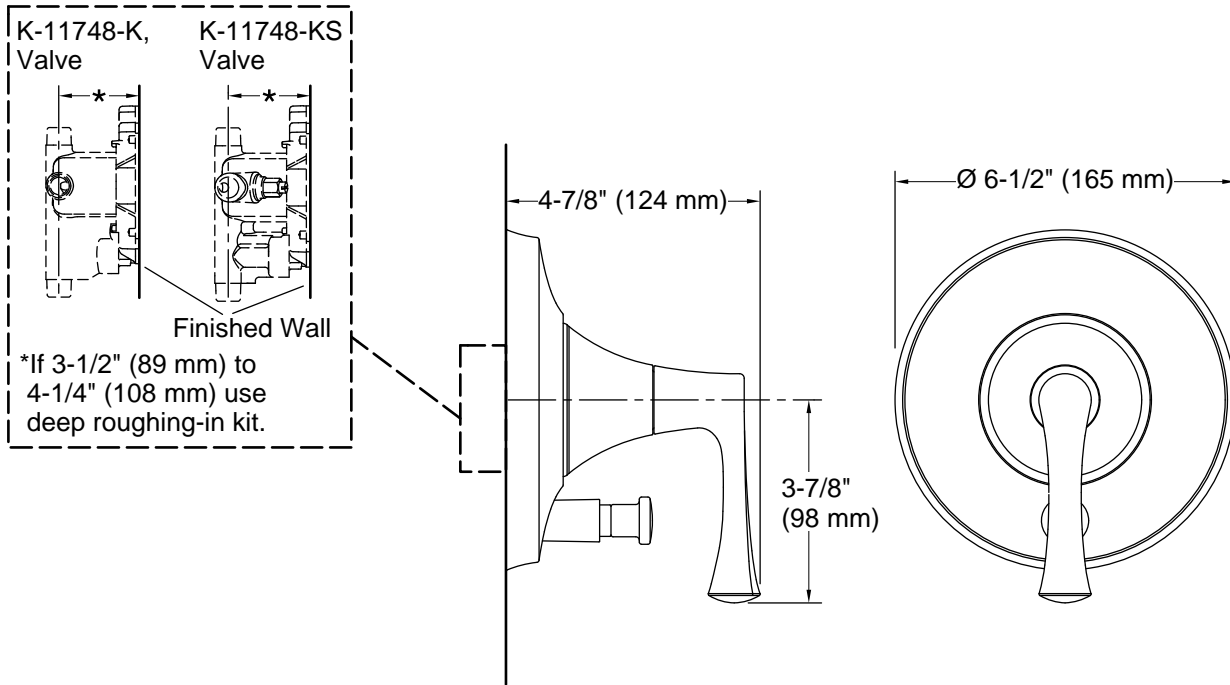
## KOHLER® Faucet Lifetime Limited Warranty

See website for detailed warranty information.

## Available Colors/Finishes

*Color tiles intended for reference only.*

Color	Code	Description
	CP	Polished Chrome
	BN	Vibrant® Brushed Nickel
	BL	Matte Black



**Technical Information**

All product dimensions are nominal.

Drain included:            No

**Spout:**

**Handshower:**

Rated maximum            0 gal/min (0 l/min)  
 flow:

**Notes**

Install this product according to the installation guide.

ADA, OBC, CSA B651 compliant when installed to the specific requirements of these regulations.