

## Features

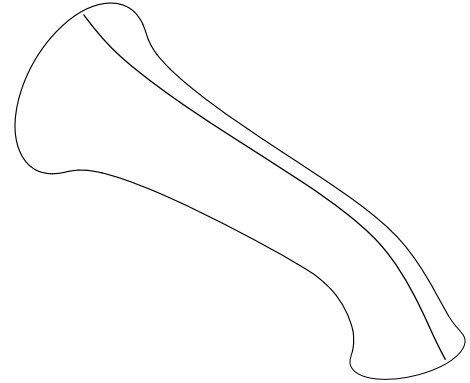
- 6-3/8" (162 mm) non-diverter bath spout with slip-fit connection
- Coordinates with other products in the Buckley collection

## Material

- Premium metal construction for durability and reliability
- KOHLER® finishes resist corrosion and tarnishing

## Installation

- Wall-mount

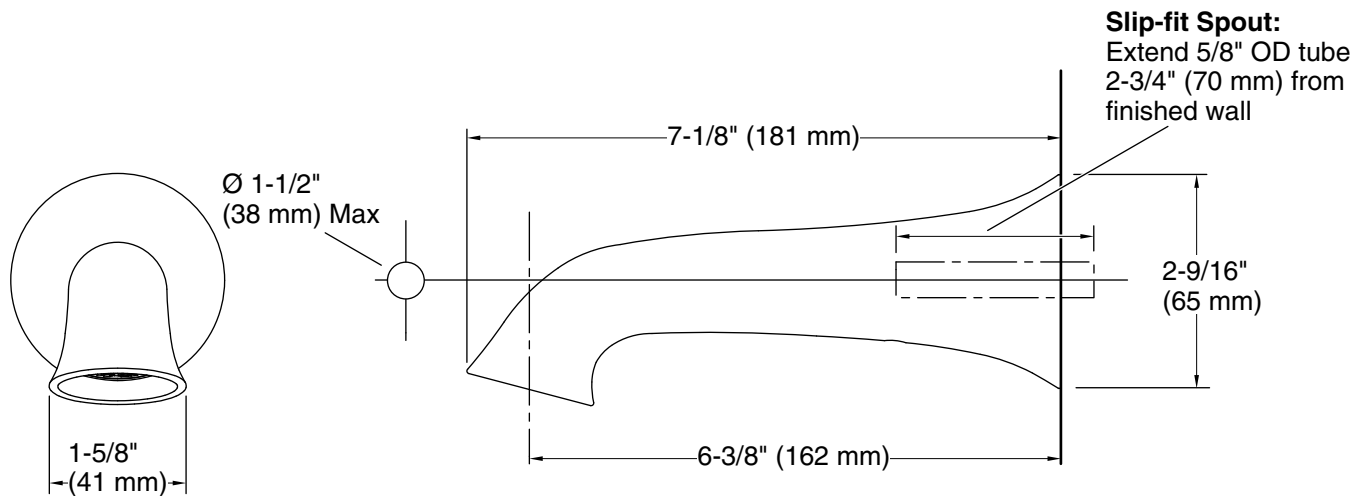


## Codes/Standards

ASME A112.18.1/CSA B125.1

## KOHLER® Faucet Lifetime Limited Warranty

See website for detailed warranty information.



### Technical Information

All product dimensions are nominal.

Drain included: No

### Spout:

Spout reach: 6-3/8" (163 mm)

### Notes

Install this product according to the installation guide.