



Iron Plains®

18-1/2" rectangular vessel bathroom sink
K-5400-PFG

Features

- Rectangular basin
- No faucet holes; requires wall- or counter-mount faucet
- With overflow
- Enameled Fresh Green interior and painted Fresh Green underside

Material

- KOHLER® enameled cast iron
- Acid-resistant enamel finish

Installation

- Vessel

Recommended Products/Accessories

- K-23726 Drain treatment
- K-23725 Cast iron cleaner

Optional Products/Accessories

- 52047 Clamp Accessory Pack, 4 Ea.

Included Components

- 1193643 Basin clamps



ADA

CSA B651

Codes/Standards

ASME A112.19.1/CSA B45.2
ADA
ICC/ANSI A117.1
CSA B651
IAPMO Certification

KOHLER® Enameled Cast Iron Kitchen and Bathroom Sink Lifetime Limited Warranty

See website for detailed warranty information.

Available Colors/Finishes

Color tiles intended for reference only.

Color Code Description

	34	Fresh Green
-------------------------------------------------------------------------------------	----	-------------

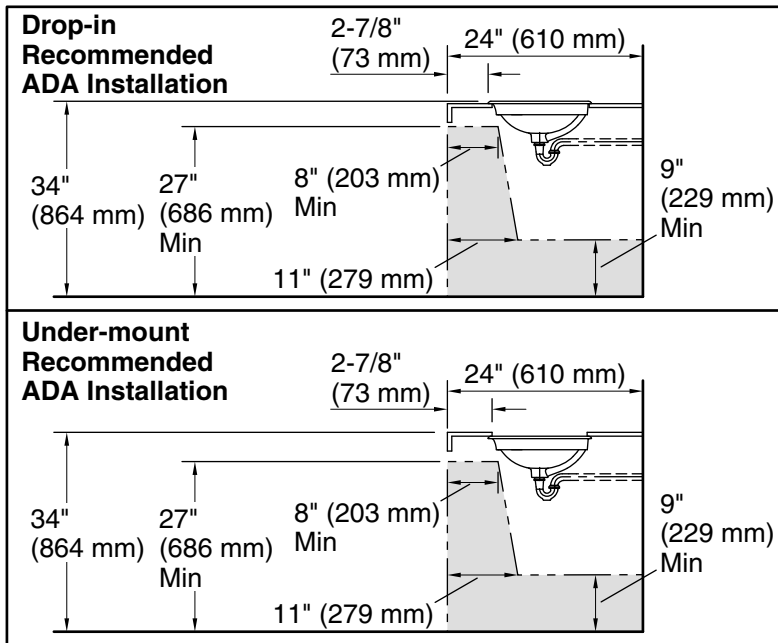
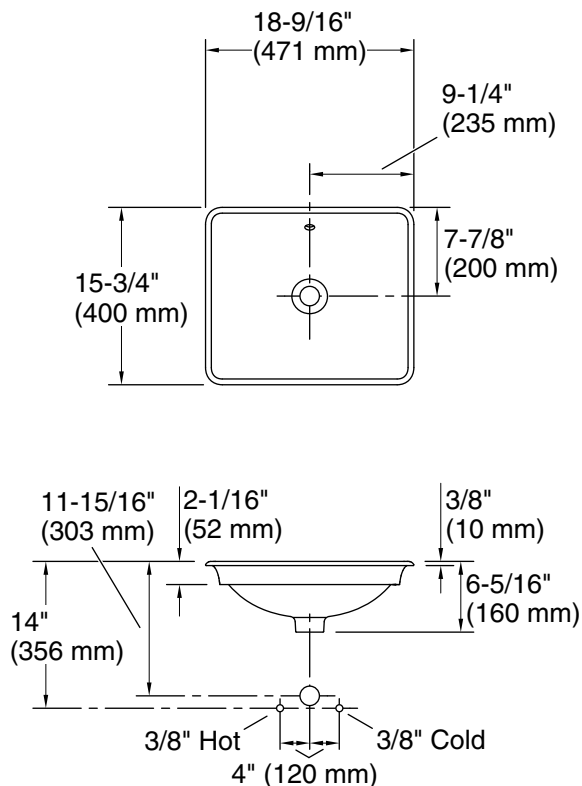
1-800-4KOHLER (1-800-456-4537)

Kohler Co. reserves the right to make revisions without notice to product specifications.

For the most current Specification Sheet, go to www.kohler.com USA or www.kohler.ca Canada

2-22-2024 10:29 - US

THE BOLD LOOK
OF **KOHLER**®



Technical Information

All product dimensions are nominal.

Bowl configuration:	Single
Bowl area (Only):	Length: 17-1/2" (445 mm) Width: 14-3/4" (375 mm) Bowl depth: 4-9/16" (116 mm) Water depth: 2-15/16" (74 mm)
With overflow:	Yes
Drain hole:	1-3/4" (45 mm)
Template:	1222632-7, required, included

Notes

Install this product according to the installation instructions.

NOTICE: Countertop manufacturer or cutter must use the cut-out template provided with the product, or a current one provided by Kohler Co. (call 1-800-4KOHLER). Kohler Co. is not responsible for cutout errors when the incorrect cut-out template is used.

ADA, CSA B651 compliant when installed to the specific requirements of these regulations.