



Artifacts™

66-1/8" x 32-1/2" freestanding bath
K-21000-PFG

Features

- Freestanding design creates a striking focal point in your bathing area
- Integral lumbar support on both ends
- Safeguard® slip-resistant surface provides excellent traction underfoot
- Painted exterior in Fresh Green
- Coordinates with other products in the Artifacts collection

Material

- KOHLER® enameled cast iron

Installation

- Freestanding
- Requires K-7159 drain (sold separately)
- Requires K-204 ball-and-claw feet (sold separately)

Required Products/Accessories

- K-204 ball-and-claw feet
- K-7159 1-1/2" pop-up bath drain for freestanding baths

Recommended Products/Accessories

- K-23725 Cast iron cleaner
- K-23726 Drain treatment



Codes/Standards



ASME A112.19.1/CSA B45.2
ASTM F462
IAPMO Certification

KOHLER® Enameled Cast Iron Bath and Shower Base Lifetime Limited Warranty

See website for detailed warranty information.

Available Colors/Finishes

Color tiles intended for reference only.

| Color | Code | Description |
|---|------|-------------|
|  | 0 | White |
|  | 34 | Fresh Green |

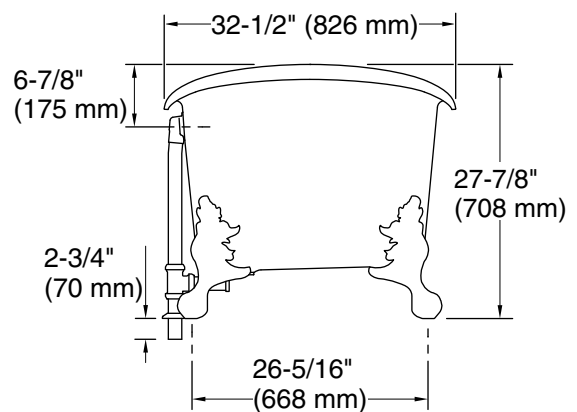
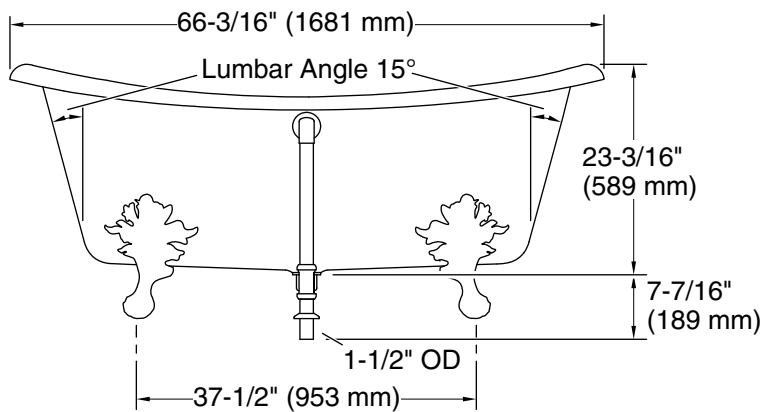
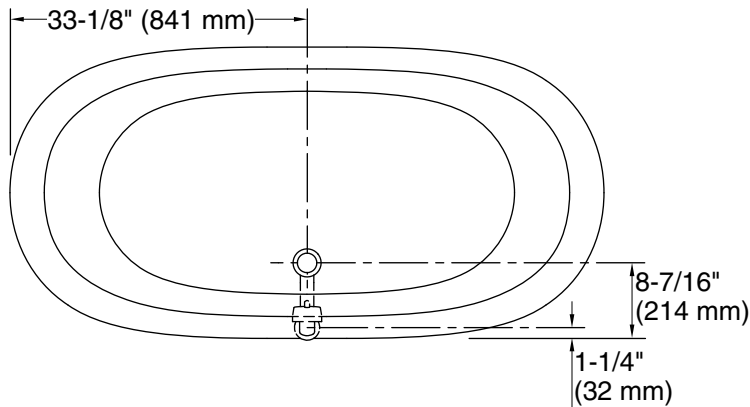
1-800-4KOHLER (1-800-456-4537)

Kohler Co. reserves the right to make revisions without notice to product specifications.

For the most current Specification Sheet, go to www.kohler.com USA or www.kohler.ca Canada

2-22-2024 09:42 - US

THE BOLD LOOK
OF **KOHLER**®



Technical Information

All product dimensions are nominal.

| | |
|---------------------|---|
| Drain location: | Center |
| Basin area, bottom: | 48-15/16" x 24-3/4" (1243 mm x 629 mm) |
| Basin area, top: | 58-11/16" x 27-13/16" (1491 mm x 706 mm) |
| Weight: | 396.2 lbs (179.7 kg) |
| Minimum floor load: | 90 lbs/ft ² (439.4 kg/m ²) |
| Water depth: | 14-3/8" (366 mm) |
| Water capacity: | 69 gal (261.2 L) |
| Template: | 1344921-7, not required, not included |

Notes

Measure your actual product for rough-in details.

Install this product according to the installation instructions.

The hot water supply should be 70% of the capacity of the bath or greater. Installations will vary.