



Iron Plains®

30" rectangular drop-in / undermount / vessel
bathroom sink
K-20212-PFG

Features

- Large rectangular basin
- No faucet holes; requires wall- or counter-mount faucet
- With overflow
- Enameled Fresh Green interior and painted Fresh Green underside

Material

- KOHLER® enameled cast iron
- Acid-resistant enamel finish

Installation

- Vessel, drop-in, or undermount

Recommended Products/Accessories

- K-23726 Drain treatment
- K-23725 Cast iron cleaner

Included Components

- 1193643 Basin clamps



ADA

CSA B651

Codes/Standards

ASME A112.19.1/CSA B45.2
ADA
ICC/ANSI A117.1
CSA B651
IAPMO Certification

KOHLER® Enameled Cast Iron Kitchen and Bathroom Sink Lifetime Limited Warranty

See website for detailed warranty information.

Available Colors/Finishes

Color tiles intended for reference only.

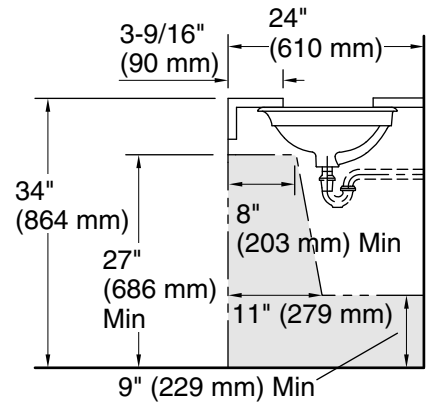
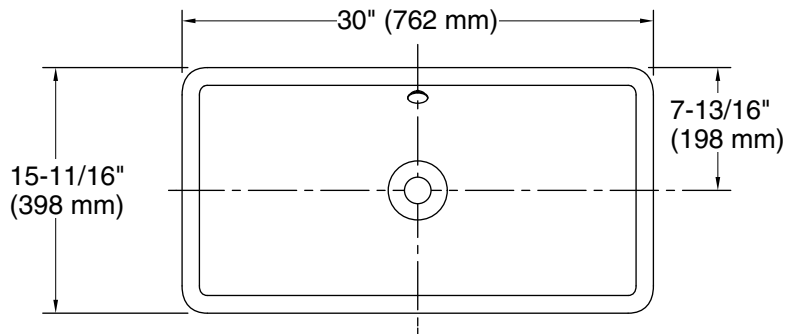
Color	Code	Description
-------	------	-------------

	34	Fresh Green
---	----	-------------

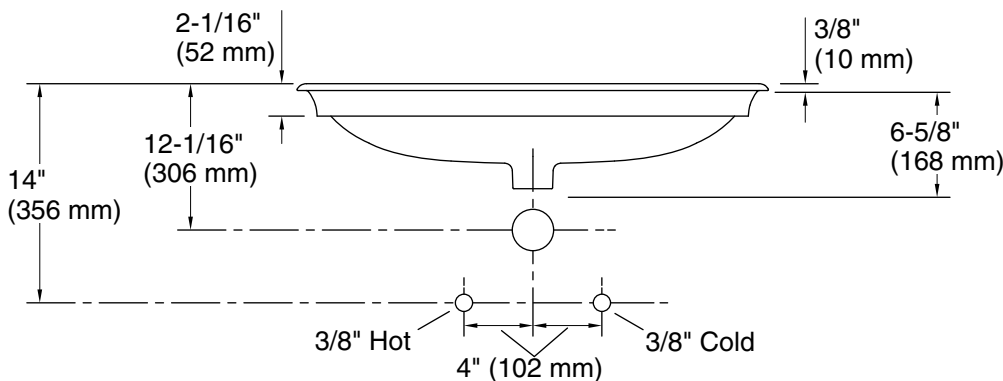


Iron Plains®

30" rectangular drop-in / undermount / vessel
bathroom sink
K-20212-PFG



Recommended ADA Installation



Technical Information

All product dimensions are nominal.

Bowl configuration: Single

Bowl area (Only): Length: 28-13/16" (732 mm)
Width: 14-7/16" (367 mm)
Bowl depth: 4-3/4" (121 mm)
Water depth: 3-5/16" (84 mm)

With overflow: Yes

Drain hole: 1-3/4" (44 mm)

Template: 1319048-7, required, included

Notes

Install this product according to the installation instructions.

NOTICE: Countertop manufacturer or cutter must use the current product template available at www.kohler.com or by calling 1-800-4KOHLER. Kohler Co. is not responsible for cutout errors when the incorrect cut-out template is used.

ADA, CSA B651 compliant when installed to the specific requirements of these regulations.