

ISO 9001
KOHLER®
NATIONALLY REGISTERED



The Kohler® Advantage

- **High Quality Power**
Kohler home generators provide advanced voltage and frequency regulation along with ultra-low levels of harmonic distortion for excellent generator power quality to protect your valuable electronics.
- **Premium 5-yr/2000-hr Limited Warranty Included**
Kohler is known for extraordinary reliability and performance. Kohler's premium limited warranty covers parts, labor, and travel for the full warranty period.
- **Powerful Performance**
Exclusive Powerboost™ technology provides excellent starting power. §
- **Aluminum Enclosure**
 - Attractive aluminum enclosure allows installation as close as 18 inches from your home or small business. †
 - Enclosure panels can be removed without tools to allow easy access for maintenance and service.
- **Camouflage Enclosures** are available for single-phase units (optional). Go to KohlerGenerators.com/MossyOak to view the available patterns.

Mossy Oak is a trademark used under license from Haas Outdoors, Inc., by Kohler Co.

Standard Features

- **RDC2 Controller**
 - One digital controller manages both the generator set and transfer switch functions (with optional Model RXT).
 - Electronic speed control responds quickly to varying demand.
 - OnCue® Plus Generator Management System for remote monitoring is included with the generator.
- **Kohler Command PRO Engine Features**
 - Kohler Command PRO® OHV engine with hydraulic valve lifters for reliable performance without routine valve adjustment or lengthy break-in requirements.
- **Designed for Easy Installation**
 - Sturdy aluminum base can be mounted on gravel or a concrete mounting pad.
 - Fuel and electrical connections through the enclosure wall eliminate the need for stub-ups through the base.
 - Customer connection terminal block located near the controller allows easy access for field wiring.
 - Designed for outdoor installation only.
 - Approved for stationary standby applications in locations served by a reliable utility source (on-grid).
- **Certifications**
 - Meets emission regulations for U.S. Environmental Protection Agency (EPA) with both natural gas and LPG.
 - UL 2200/cUL listed.
 - Accepted by the Massachusetts Board of Registration of Plumbers and Gas Fitters.
 - Meets 181 mph wind rating.
- **Exercise Modes**
 - 90-second EcoExercise, unloaded, with system diagnostics. Reduces fuel costs and minimizes sound disruption.
 - Unloaded weekly exercise with complete system diagnostics (20 minutes)
 - Unloaded full-speed exercise (20 minutes)
 - Loaded full-speed exercise (20 minutes; Model RXT ATS required)
 - Weekly, bi-weekly, or new monthly exercise intervals.
- Model 26RCAL includes a model RXT automatic transfer switch. See last page for more details.

Generator Ratings

Model	Alt	Voltage	Ph	Hz	Standby Ratings				Line Circuit Breaker	
					Natural Gas		LPG		Amps	Poles
					kW/kVA	Amps	kW/kVA	Amps		
26RCA 26RCAL	2F8	120/240	1	60	24/24	100	26/26	109	125	2
		120/208	3	60	22/27	77	22/27	77	80	3
26RCA	2G8	120/240	3	60	22/27	67	22/27	67	80	3
		277/480	3	60	22/27	34	22/27	34	40	3

Note: The line circuit breaker is automatically selected based on the generator set model and voltage configuration.

RATINGS: Standby ratings apply to installations served by a reliable utility source. All single-phase units are rated at 1.0 power factor. The standby rating is applicable to variable loads with an average load factor of 80% for the duration of the power outage. No overload capacity is specified at this rating. Ratings are in accordance with ISO-3046/1, BS5514, AS2789, and DIN 6271. **GENERAL GUIDELINES FOR DERATING:** **ALTITUDE:** Derate 4% per 305 m (1000 ft.) elevation above 153 m (500 ft.). **TEMPERATURE:** Derate 2% per 5.5°C (10°F) temperature increase above 16°C (60°F). Availability is subject to change without notice. The generator set manufacturer reserves the right to change the design or specifications without notice and without any obligation or liability whatsoever. Contact your local Kohler Co. generator dealer for availability.

§ Check the appliance manufacturer's specifications for actual power requirements. Consult a Kohler® Power Systems professional to calculate your exact residential power system requirements.

† Meets NFPA guidelines for 18 inch clearance to combustible materials. Check state and local codes for minimum distance required from a structure.

Alternator Specifications

Alternator Specifications

Specifications	Alternator
Manufacturer	Kohler
Type	2-Pole, Rotating Field
Leads, quantity	
2F8	4
2G8	12
Voltage regulator	Digital
Insulation:	NEMA MG1-1.66
Material	Class H
Temperature rise	130°C Standby
Bearing: quantity, type	1, Sealed
Coupling	Direct
Amortisseur windings	Full
Voltage regulation, no-load to full-load RMS	±1.0%
One-step load acceptance	100% of Rating
Peak motor starting kVA: (35% dip for voltages below)	
240 V, 1 ph	2F8 (4 lead) 39 (60 Hz)
240 or 480 V, 3 ph	2G8 (12 lead) 63 (60 Hz)

Alternator Features

- Compliance with NEMA, IEEE, and ANSI standards for temperature rise.
- Self-ventilated and drip-proof construction.
- Windings are vacuum-impregnated with epoxy varnish for dependability and long life.
- Superior voltage waveform and minimum harmonic distortion from skewed alternator construction.
- Digital voltage regulator with ±1.0% no-load to full-load RMS regulation.
- Rotating-field alternator with static exciter for excellent load response.
- Total harmonic distortion (THD) from no load to full load with a linear load is less than 5%.

Application Data

Engine

Engine Specifications	
Manufacturer	Kohler
Engine: model, type	CH1006 4-Cycle
Cylinder arrangement	V-2
Displacement, cm ³ (cu. in.)	999 (61)
Bore and stroke, mm (in.)	90 x 78.5 (3.54 x 3.1)
Compression ratio	10.5:1
Main bearings: quantity, type	2, Heavy-Duty Sleeve Bearings
Rated RPM	3600
Max. engine power at rated rpm, kW (HP)	
LPG	26.1 (36.4)
Natural gas	24.5 (33.0)
Cylinder head material	Aluminum
Valve material	Steel/Stellite®
Piston type and material	Aluminum Alloy
Crankshaft material	Heat Treated, Ductile Iron
Governor: type	Electronic
Frequency regulation, no load to full load	Isochronous
Frequency regulation, steady state	±0.5%
Air cleaner type	Dry

Engine Electrical

Engine Electrical System	
Ignition system	Electronic, Capacitive Discharge
Starter motor rated voltage (DC)	12
Battery (purchased separately):	
Ground	Negative
Volts (DC)	12
Battery quantity	1
Recommended cold cranking amps: (CCA) rating for -18°C (0°F)	500
Group size	51

Exhaust

Exhaust System	
Exhaust temperature exiting the enclosure at rated kW, dry, °C (°F)	260 (500)

Lubrication

Lubricating System	
Type	Full Pressure
Oil capacity (with filter), L (qt.) §	1.9 (2.0)
Oil filter: quantity, type §	1, Cartridge
Oil cooler	Integral
§ Kohler recommends the use of Kohler Genuine oil and filters.	

Fuel Requirements

Fuel System	
Fuel types	Natural Gas or LPG
Fuel supply inlet	3/4 NPT
Fuel supply pressure, kPa (in. H ₂ O):	
Natural gas	0.9- 2.7 (3.5-11)
LP	1.7- 2.7 (7-11)

Fuel Composition Limits *	Nat. Gas	LPG
Methane, % by volume (minimum)	90 min.	—
Ethane, % by volume (maximum)	4.0 max.	—
Propane, % by volume	1.0 max.	85 min.
Propene, % by volume (maximum)	0.1 max.	5.0 max.
C ₄ and higher, % by volume	0.3 max.	2.5 max.
Sulfur, ppm mass (maximum)	25 max.	
Lower heating value, MJ/m ³ (Btu/ft ³), (minimum)	33.2 (890)	84.2 (2260)

* Contact your local dealer for suitability and rating derates based on fuel compositions outside these limits.

Fuel Pipe Size

Minimum Gas Pipe Size Recommendation, in. NPT		
Pipe Length, m (ft.)	Natural Gas 290,000 Btu/hr.	LPG 322,500 Btu/hr.
8 (25)	1	3/4
15 (50)	1 1/4	1
30 (100)	1 1/4	1
46 (150)	1 1/4	1
61 (200)	1 1/2	1 1/4

Generator Set Sound Data

Model 26RCA sound levels are 56 dB(A) during engine exercise and 67 dB(A) during full-speed generator diagnostics and normal operation.*

All sound levels are measured at 7 meters with no load.

* Lowest of 8 points measured around the generator. Sound levels at other points around generator may vary depending on installation parameters.

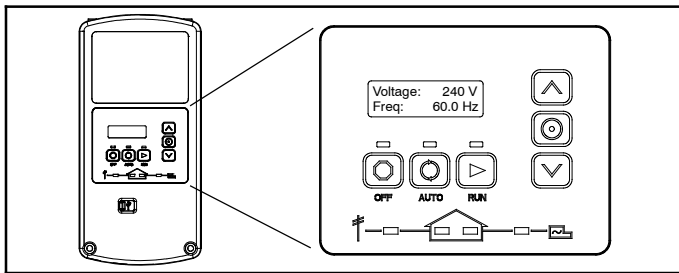
Operation Requirements

Fuel Consumption, m ³ /hr. (cfh) @ 60Hz			
% Load	Natural Gas		LPG
100	8.2	(290)	3.6 (129)
75	6.7	(238)	3.1 (111)
50	5.1	(180)	2.4 (85)
25	3.9	(137)	1.8 (64)
Exercise	1.9	(67)	0.9 (31)

Nominal fuel rating: Natural gas: 37 MJ/m³ (1000 Btu/ft.³)
LPG: 93 MJ/m³ (2500 Btu/ft.³)

LPG conversion factors: 8.58 ft.³ = 1 lb.
0.535 m³ = 1 kg
36.39 ft.³ = 1 gal.

RDC2 Controller Features



The RDC2 controller provides integrated control for the generator set, Kohler® Model RXT transfer switch, programmable interface module (PIM), and load shed kit.

- Membrane keypad:
 - OFF, AUTO, and RUN pushbuttons
 - Select and arrow buttons for access to system configuration and adjustment menus
- LED indicators for OFF, AUTO, and RUN modes
- LED indicators for utility power and generator set source availability and ATS position (Model RXT transfer switch required)
- LCD display:
 - Two lines x 16 characters per line
 - Backlit display with adjustable contrast for excellent visibility in all lighting conditions
- Scrolling system status display:
 - Generator set status
 - Voltage and frequency
 - Engine temperature
 - Oil pressure
 - Battery voltage
 - Engine runtime hours
- Date and time displays
- Smart engine cooldown senses engine temperature
- Digital isochronous governor maintains steady-state speed at all loads
- Digital voltage regulation: ± 1.0% RMS no-load to full-load
- Automatic start with programmed cranking cycle
- Built-in 2.5 amp battery charger
- Programmable exerciser can be set to start automatically on any future day and time
- Exercise modes:
 - New 90-second Eco Exercise with complete system diagnostics (factory default setting)
 - Lowers fuel cost
 - Minimizes sound disruption
 - In cold temperatures, limits condensation build-up in the crankcase
 - Unloaded weekly 20-minute exercise with complete system diagnostics
 - Unloaded 20-minute full-speed exercise
 - Loaded 20-minute full-speed exercise (Model RXT ATS required)
- Weekly, bi-weekly, or new monthly exercise intervals
- Front-access mini USB connector for SiteTech™ or USB Utility connection
- Integral Ethernet connector for Kohler® OnCue® Plus
- Remote two-wire start/stop capability for optional connection of a Model RDT transfer switch
- Diagnostic messages: Displays diagnostic messages for the engine, generator, Model RXT transfer switch, programmable interface module (PIM), and load management device.
- Maintenance reminders
- System settings:
 - System voltage, frequency, and phase
 - Voltage adjustment
 - Measurement system, English or metric
- ATS status (Model RXT ATS required):
 - Source availability
 - ATS position (normal/utility or emergency/generator)
 - Source voltage and frequency
- ATS control (Model RXT ATS required):
 - Source voltage and frequency settings
 - Engine start time delay
 - Transfer time delays
 - Voltage calibration
 - Fixed pickup and dropout settings
- Programmable Interface Module (PIM) status displays:
 - Input status (active/inactive)
 - Output status (active/inactive)
- Load control menus:
 - Load status
 - Test function

Generator Set Standard Features

- Aluminum sound enclosure
- Battery cables
- Critical silencer
- EPA certified fuel system
- Field-connection terminal block
- Fuel solenoid valve and secondary regulator
- Line circuit breaker
- Multi-fuel system, LPG/natural gas, field-convertible
- Oil drain extension with shutoff valve
- Oil level sensor
- Oil pressure sensor
- OnCue® Plus Generator Management System
- Premium 5-year/2000 hour limited standby warranty. Covers parts, labor, and travel for the entire warranty period
- RDC2 generator set/ATS controller
- Rodent-resistant construction
- Sound-deadening, flame-retardant foam per UL 94, class HF-1

Available Options

Concrete Mounting Pads

- Concrete mounting pad, 3 in. thick
- Concrete mounting pad, 4 in. thick (recommended for storm-prone areas)

Electrical Accessories

- Battery
- Battery heater, 120 VAC *
- Carburetor heater, 120 VAC ‡
- Cold weather kit, 120 VAC †
 - Includes fuel regulator heater, oil and breather tube heaters.
 - QS model with factory-installed kit is available.

- Emergency stop kit
- Programmable interface module (PIM) (provides 2 digital inputs and 6 relay outputs)

* Battery heater is recommended below - 17°C (0°F).
 ‡ Do not use a carburetor heater with a cold weather kit.
 † Cold weather kit is recommended below 0°C (32°F).

Enclosure Options (single-phase only)

- Mossy Oak® camouflage enclosures available. Go to KohlerGenerators.com/MossyOak to see available patterns.

Mossy Oak is a trademark used under license from Haas Outdoors, Inc., by Kohler Co.

Fuel System Accessories

- Flexible fuel line (included on QS models)

Literature

- General maintenance literature kit
- Overhaul literature kit
- Production literature kit

Maintenance

- Maintenance kit (includes air filter, oil, oil filter, and spark plugs)
- Premium 300 hour/2 year oil for fewer oil changes

26RCAL Model Package

- 26RCAL with 200 amp service entrance-rated Model RXT with combined interface/load management board and corrosion-resistant NEMA 3R aluminum enclosure

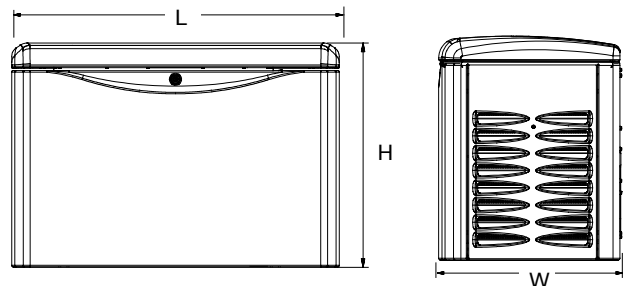
Warranty

- 7- Year Limited Warranty
 - 10- Year Limited Warranty
- Warranties cover parts, labor, and travel for the entire warranty period.

Generator Set Dimensions and Weights

Generator Set Size, L x W x H: 1193 x 660 x 820 mm
 (47 x 26.0 x 32.3 in.)

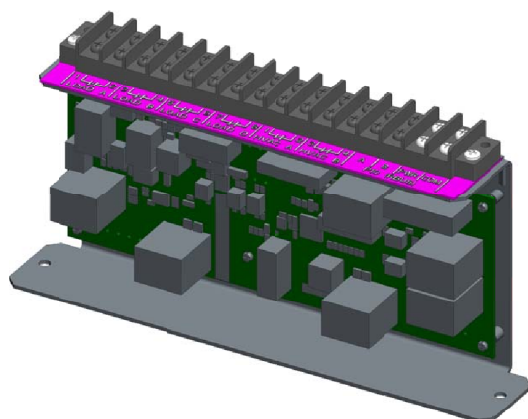
Shipping Weights:
 26RCA Generator Set: 283 kg (625 lb.)
 26RCAL with 200 A RXT SE ATS: 304 kg (670 lb.)



NOTE: Dimensions are provided for reference only and should not be used for planning installation. Contact your local dealer for more detailed information.

DISTRIBUTED BY:

ISO 9001
KOHLER
POWER SYSTEMS
NATIONALLY REGISTERED



Load Shed Assembly

Applicable Models

- RXT Automatic Transfer Switch (without load center)
- RDT Automatic Transfer Switch (without load center)
- RDT 200 amp service entrance rated transfer switch with 42-circuit load center
- A Kohler® single-phase generator set equipped with the RDC2 or DC2 controller is required. The load shed kit operates with the following generator set models: *
 - 14RESA and 14RESAL
 - 20RESA and 20RESAL
 - 38RCL
 - 48RCL

Standard Features

- Automatically manages up to six residential loads:
 - Four customer-provided power relays can be connected for management of non-essential secondary loads.
 - Two HVAC relays to control two independent air conditioner loads are included.
- Current transformer for load monitoring is provided.
- The load shed kit mounts inside the enclosure on Kohler® Model RXT and RDT automatic transfer switches.

Load Management

- The load shed kit disconnects non-critical loads to prevent generator overload, in compliance with NEC 2008.
- The load shed kit monitors generator current and frequency to determine when to shed loads. This monitoring prevents frequency drops that can damage valuable electronics like computers and televisions.
- Load management with the load shed kit allows the use of a smaller generator set.

Priority Setting

- Loads are added and shed according to their priority. Load 1 is the top priority, which is added first and shed last. Load 6 is the lowest priority.
- Less critical loads can be turned off automatically when essential appliances are running.
- Load priorities are hard-wired at installation.

* Information available at time of publication.

Operation

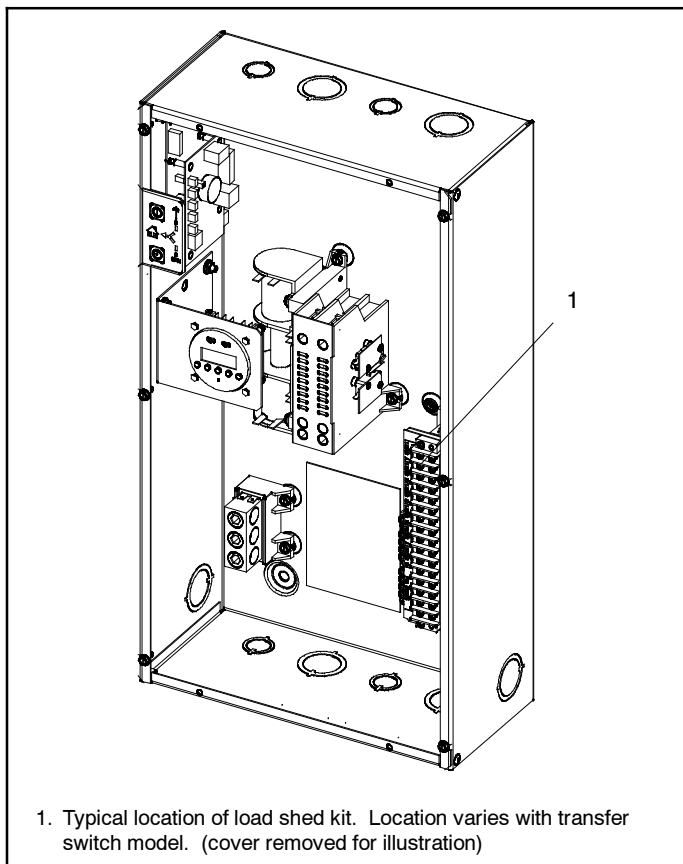
- Loads are automatically added or disconnected based on generator capacity.
- The Kohler-patented load control system uses dynamic logic to prevent shedding important loads unnecessarily when air conditioning, refrigerator, or water pump motors start.
- The load shed kit and generator communicate to provide smart power management. The time to shed loads decreases as each load is shed to quickly adapt to critical power requirements.
- Load shed power level and frequency setpoint adjustments are possible only by using Kohler® SiteTech™ software, available to Kohler-authorized distributors and dealers.

Specifications

Connection	Rating	Connection
Pilot Relays* and HVAC Relays (qty. 2)	125VAC, 10 A (general purpose) 120VAC, 125VA (pilot duty)	Connect to #6 screw on terminal block
RBUS Communication and Power Connections to the RDC2/DC2 controller	0.5 A @ 12 VDC	Use Belden #9402 or equivalent 20 AWG shielded, twisted-pair communications cable †

* Four (4) pilot relays are provided for customer-supplied load-switching contactors/relays.
 † For long distances, use an equivalent shielded, twisted pair cable for RBUS connections and individual 12-20 AWG wires (qty. 2) for power connections. A communication harness for the Model RXT transfer switch is included with the load shed kit. See TT-1609, Load Shed Kit Installation Instructions, for details.

Location Inside ATS Enclosure



Current Transformer

The load shed kit includes a current transformer (CT) for load monitoring. If the application requires cables that are too large for the inner diameter (I.D.) of the CT provided, order current transformer GM17250, or obtain a CT that meets the specifications shown below.

CT Specifications	GM83929 (provided)	GM17250 *
Primary Rating	400 Amps	400 Amps
Secondary Rating	3 VAC	3 VAC
Burden Resistor	16 Ohms	16 Ohms
Burden Resistor Location	Internal	Internal
Inner Diameter (I.D.)	28.7 mm (1.13 in.)	57.2 mm (2.25 in.)

* Order GM17250 for applications that use larger cables.

DISTRIBUTED BY:

Availability is subject to change without notice. Kohler Co. reserves the right to change the design or specifications without notice and without any obligation or liability whatsoever. Contact your local Kohler® generator distributor for availability.

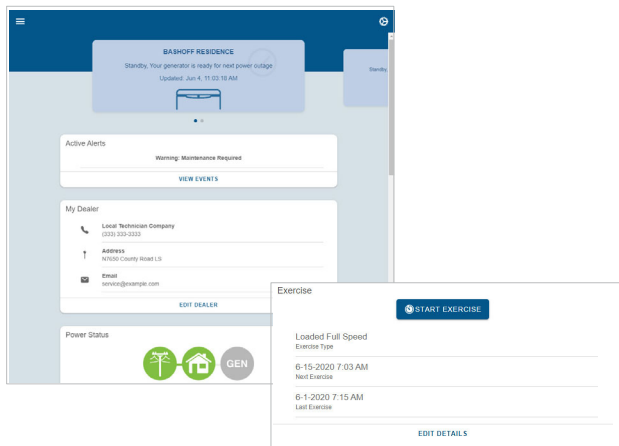
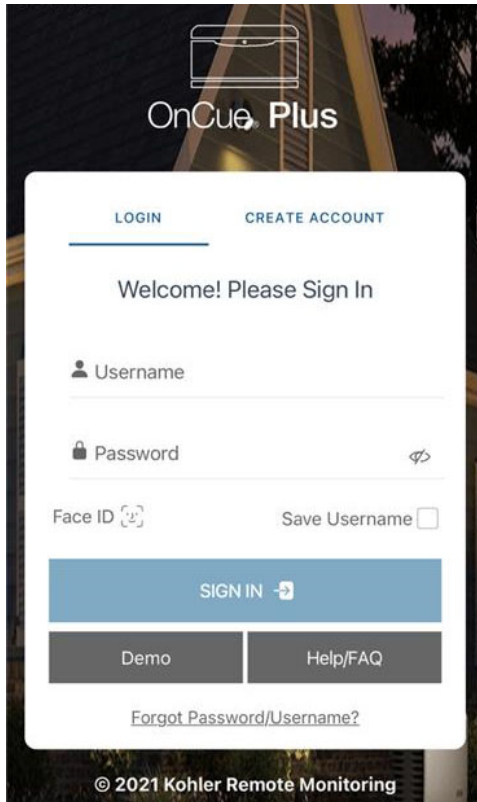
© 2013 by Kohler Co. All rights reserved.

Residential/Light Commercial Generator Accessories

KOHLER®

Kohler® OnCue® Plus Generator Management System

ISO 9001
KOHLER
POWER SYSTEMS
NATIONALLY REGISTERED



OnCue® Plus is a remote monitoring application that is included with Residential and Light Commercial generators equipped with the controllers listed below. It allows you to access your generator from a computer or smart device anytime, anywhere. You can easily monitor and control your generator set using this application.

Applicable Models

OnCue Plus can be used with Kohler Residential and Light Commercial generator sets equipped with the following controllers:

- RDC2 or DC2 Controller
- RDC or DC Controller
- VSC Controller (6VSG variable-speed DC generator set)

The optional OnCue Plus wireless kit is available for generator sets equipped with the following controllers:

- RDC2 or DC2 Controller
- VSC Controller (6VSG variable-speed DC generator set)

OnCue Plus Features

- Simple activation, required just once for each generator.
- Monitor your complete Kohler power system, including the generator, RXT automatic transfer switch, Load Control Module (LCM)*, and Programmable Interface Module (PIM)†.
- Control home automation when the generator set is paired with a Programmable Interface Module (PIM)†. Remote control features:
 - Remotely turn appliances, outdoor lighting, storm shutters, or other electrical equipment on or off.
 - The generator does not need to be running in order to use OnCue Plus for remote control of circuits connected to the PIM.
- Monitor total generator power and percent of generator's rated power on models equipped with a model RXT transfer switch and load shed accessory. *
- Monitor multiple generator sets on one account.
- View time- and date-stamped event history listing generator set starting and stopping, faults, and notifications. (RDC2)
- Receive generator alerts by email, text message, or push notifications on your mobile device or PC. Customize messages by selecting the events that will prompt a notification to be sent to each recipient.
- Start and stop generator exercises from your computer or mobile device, or using the OnCue Plus action/skill on Google Assistant or Amazon Alexa.
- Controller password and generator set serial number protect against access by unauthorized users.

Apple, the Apple logo, iPhone and iPad are registered trademarks of Apple Inc., registered in the U.S. and other countries. App Store is a service mark of Apple Inc.

Alexa and all related marks are trademarks of Amazon.com, Inc or its affiliates.

Android, Google and Google Play are trademarks of Google LLC.

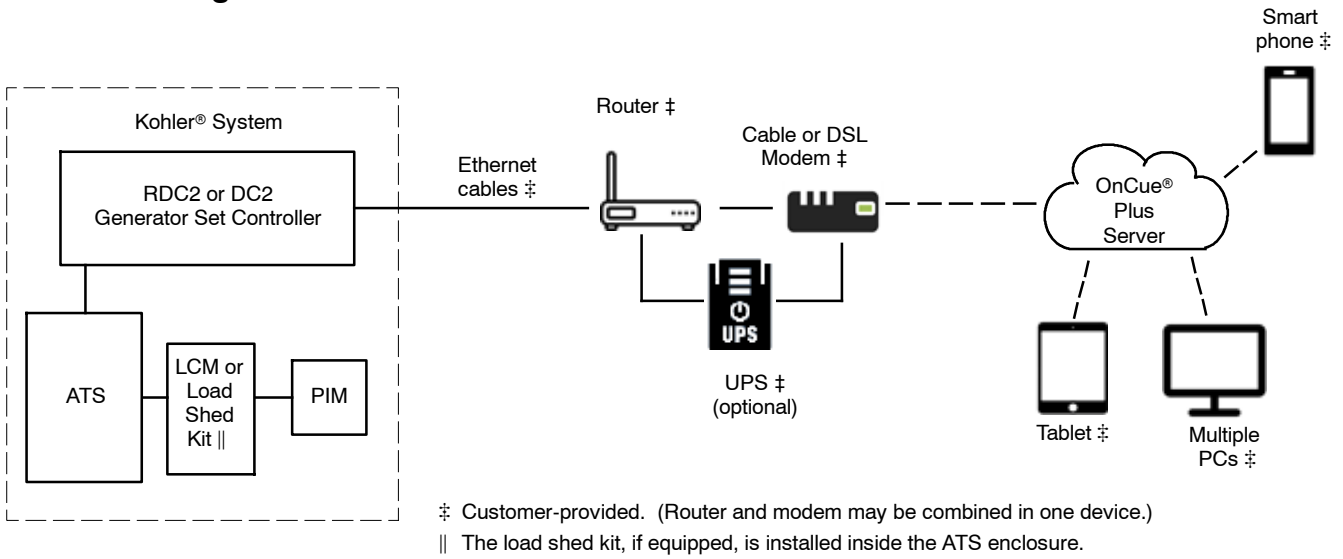
* Model RXT automatic transfer switch and LCM can be used with generator sets equipped with the RDC2 or DC2 controller.

† PIM can be used with generator sets equipped with the RDC2, DC2, or VSC controller.

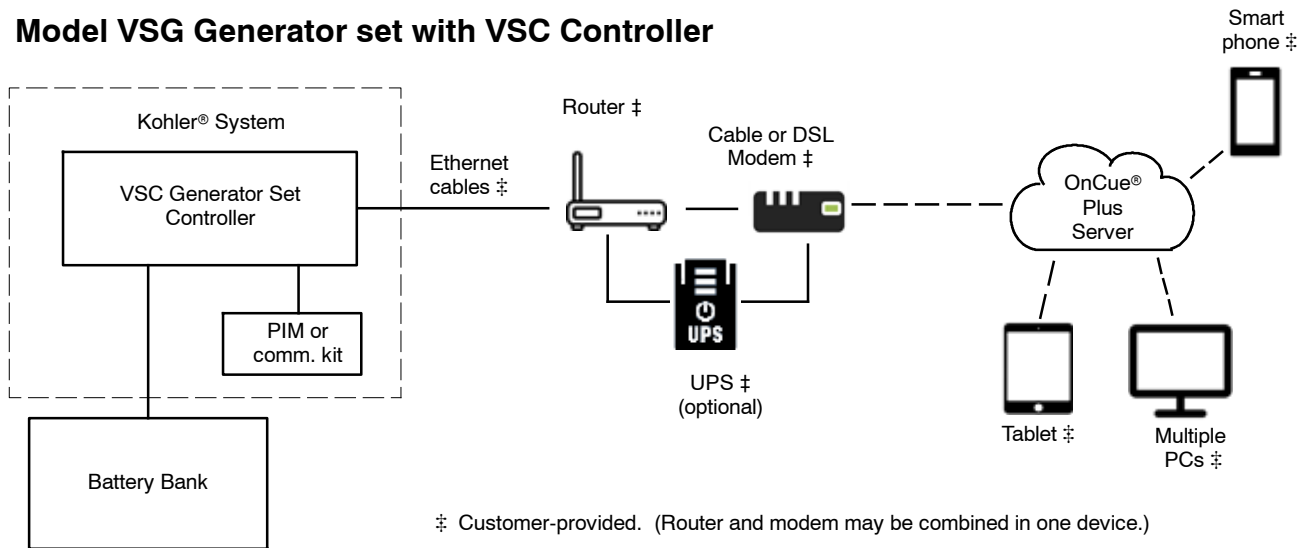
Note: Views shown in this document are samples. Actual views may vary based on customer application and OnCue Plus program updates.

Typical Connections (using cables)

Residential/Light Commercial Generator Set with RDC2 or DC2 Controller

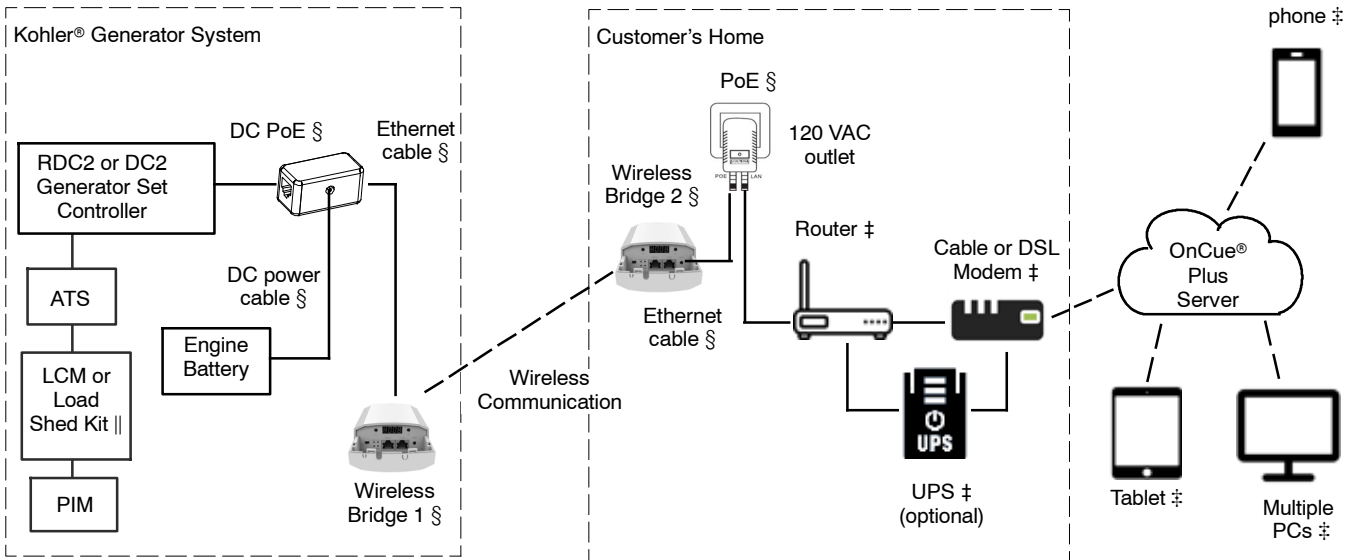


Model VSG Generator set with VSC Controller



Typical Connections (using wireless kit)

Residential/Light Commercial Generator Set with RDC2 or DC2 Controller

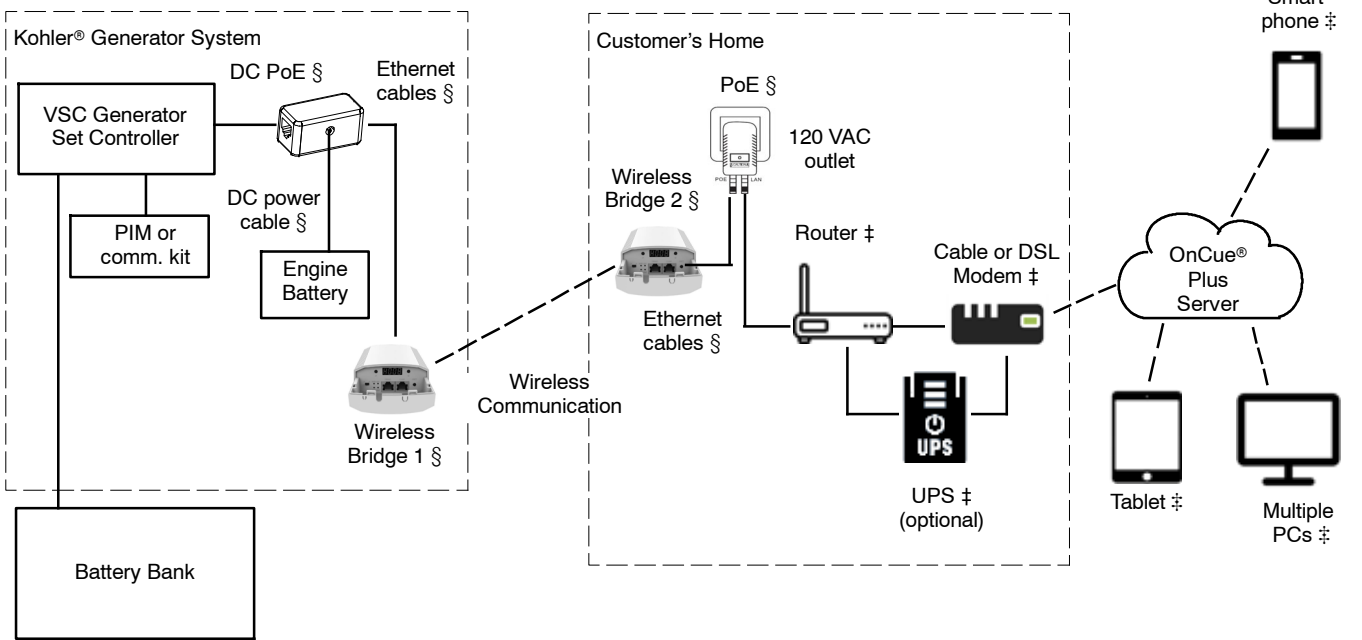


‡ Customer-provided. (Router and modem may be combined in one device.)

§ Provided in the Kohler wireless kit. (Two Ethernet cables for connecting the bridge to the Power over Ethernet [PoE] ports are provided.)

|| The load shed kit, if equipped, is installed inside the ATS enclosure.

Model VSG Generator Set with VSC Controller



‡ Customer-provided. (Router and modem may be combined in one device.)

§ Provided in the Kohler wireless kit. (Two Ethernet cables for connecting the bridge to the Power over Ethernet [PoE] ports are provided.)

System Requirements

- Personal computer (PC) requires one of these Internet browsers:
 - Google Chrome
 - Apple Safari
 - Microsoft Edge 79+
 - Firefox
- Mobile devices require Android™ 5.0 or higher or iOS 11.0 or higher
- Always-on Internet access for the generator (for example, cable, DSL, or phone line modem connected 24 hours a day)
- Amazon Alexa or Google Assistant application on smart devices to access voice control (optional)
- OnCue Plus wireless kit (optional)
- Uninterruptible power supply (UPS) for modem and router (optional)
- See the connection diagrams for customer-provided cables and equipment

Wireless Bridge Specifications

- Environmental specifications:
 - Operating temperature: -30 to 55°C (-22 to 131°F)
 - Storage temperature: -40 to 70°C (-40 to 158°F)
 - Humidity: 5% to 95% (typical)
 - Waterproof level IP65
- Dimensions. L x W x H: 168 x 88 x 48 mm (6.6 x 3.5 x 1.9 in.)
- RF Frequency: 5.150-5.850 GHz
- Regulatory Compliance:
 - CE-LVD
 - EN 60950-1:2006 + A1: 2009 + A1: 2010 + A12: 2011 + A2: 2013
 - IEC 60950-1: 2005 + A1: 2009 + A2: 2013
- Protocol/Standard
 - IEEE 802.3 (Ethernet)
 - IEEE 802.3u (Fast Ethernet)
 - IEEE 802.11b/g/n/ac
- Power Specification:
 - DC PoE: 24 VDC @ 0.5A
- Wireless Bridge Operating Specifications:
 - Voltage 100-240 VAC
 - Frequency 50-60 Hz
 - Input current 300 mA max. @ 90 VAC min.
- LEDs for power and network connection status

View System Operation Data

Generator Set

- Home is powered by the generator or utility power
- Generator set status: running, standby, shutdown, or off
- Active fault indication
- Generator voltage
- Engine starting battery voltage, VDC
- Frequency, Hz
- Generator event history
- Event details, including description, time, and date
- Exercise type
- Next scheduled exercise date and time (estimated based on last exercise date and time)
- Over 20 different parameters
- Generator power, in kW (LCM required*)
- Engine hours
- Last exercise date and time
- Exercise interval, duration and mode

Load Management *

- Loads are added or shed automatically based on generator load
- View connected loads
- On/Off indicators for each circuit indicate status (powered or shed)
- Change load labels to identify the connected circuits

Programmable Interface Module (PIM) †

- View relay status
- On/Off indicators show connected circuits
- Change input and output labels to identify connected circuits

6VSG Communications Kit

- View input and output status
- On/Off indicators show connected circuits

* Model RXT automatic transfer switch and Load Control Module (LCM), load shed kit, or combined interface/load management board can be used with generator sets equipped with the RDC2 or DC2 controller.

† PIM can be used with generator sets equipped with the RDC2, DC2, or VSC controller.

Voice Activation

- Use Google Assistant or Amazon Alexa to control your generator by using your voice.
- Easy setup:
 - Confirm the setup of your OnCue Plus account.
 - Search for OnCue Plus action/skill on the Google Assistant or Amazon Alexa app and follow the simple step-by-step guide to link the accounts.
 - Start talking to your Kohler generator(s) by saying, "Hey Google, ask OnCue Plus," or "Alexa, ask OnCue Plus."
- Sample voice commands:
 - What is the status of my generator?
 - Does my generator have any active alerts?
 - What's the battery voltage?
 - What's the oil temperature?
 - What's the engine temperature?
 - When was my last exercise?
 - Start an exercise.
 - Stop an exercise.
 - Change my exercise details.

Notifications

Email, text messages, and push notifications are sent for the following events. Notifications for selected events can be turned off or on for different recipients. Push notifications can be turned on or off using a smart phone or tablet, and then viewed on a smart phone, tablet, or personal computer.

- Exercise Start
- Exercise Ended
- Generator Running
- Generator Stopped
- Generator Not in Auto/ In Auto
- Utility Loss/ Restored
- Communication Loss/ Restored
- Warnings Active/Cleared (includes maintenance reminders)
- Shutdowns Active/Reset

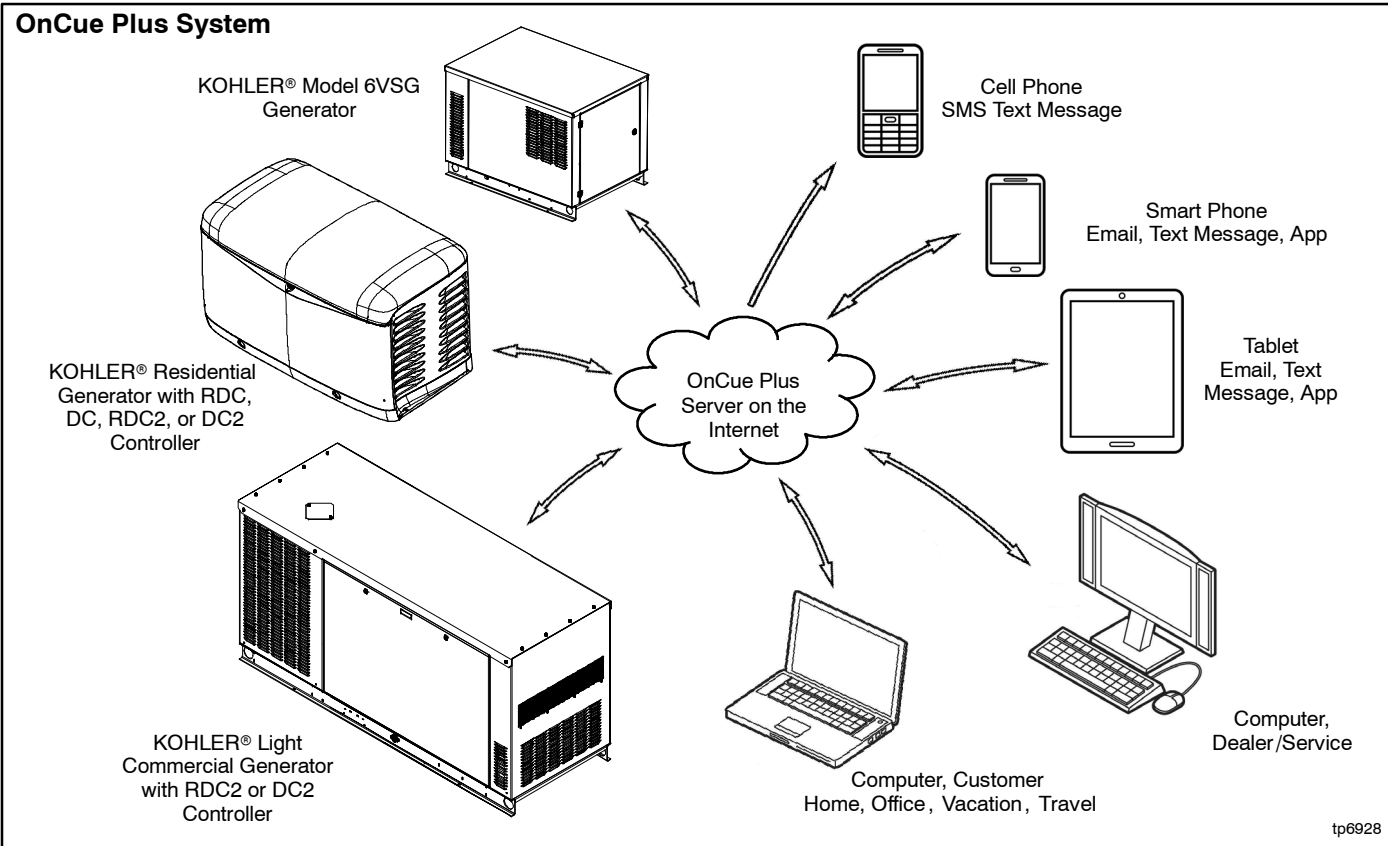
Remote Control/Home Automation

Generator Set

- Start/stop exercises remotely
- Manage exercise interval, duration and mode

Programmable Interface Module (PIM)‡

- Allows remote control of appliances and other electrical devices in your home
- Use your PC or mobile device to turn your lights or appliances on and off from any location with Internet access
- The generator does not need to be running in order to use OnCue Plus for remote control of circuits connected to the PIM.



OnCue® Plus System Kit

Included with every Residential and Light Commercial generator set that is equipped with the RDC2 or VSG controller.

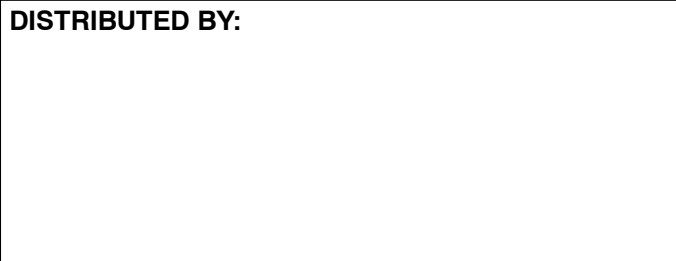
- Activation code decal
- Ethernet connector
- User manual
- Technical Manual

OnCue® Plus Wireless Kit

Optional kit provides wireless connectivity between the generator controller and the homeowner's router.

- Wireless bridges (quantity 2)
- AC power over Ethernet port
- DC power over Ethernet port
- DC power cable
- Ethernet cables (quantity 2 for power over Ethernet connection to wireless bridges)
- Installation instructions with connection diagrams

DISTRIBUTED BY:



Availability is subject to change without notice. Kohler Co. reserves the right to change the design or specifications without notice and without any obligation or liability whatsoever. Contact your local Kohler® generator distributor for availability.

© 2021 Kohler Co. All rights reserved.

Concrete Mounting Pads



RCA mounting pads are similar to this illustration.

Applicable Models

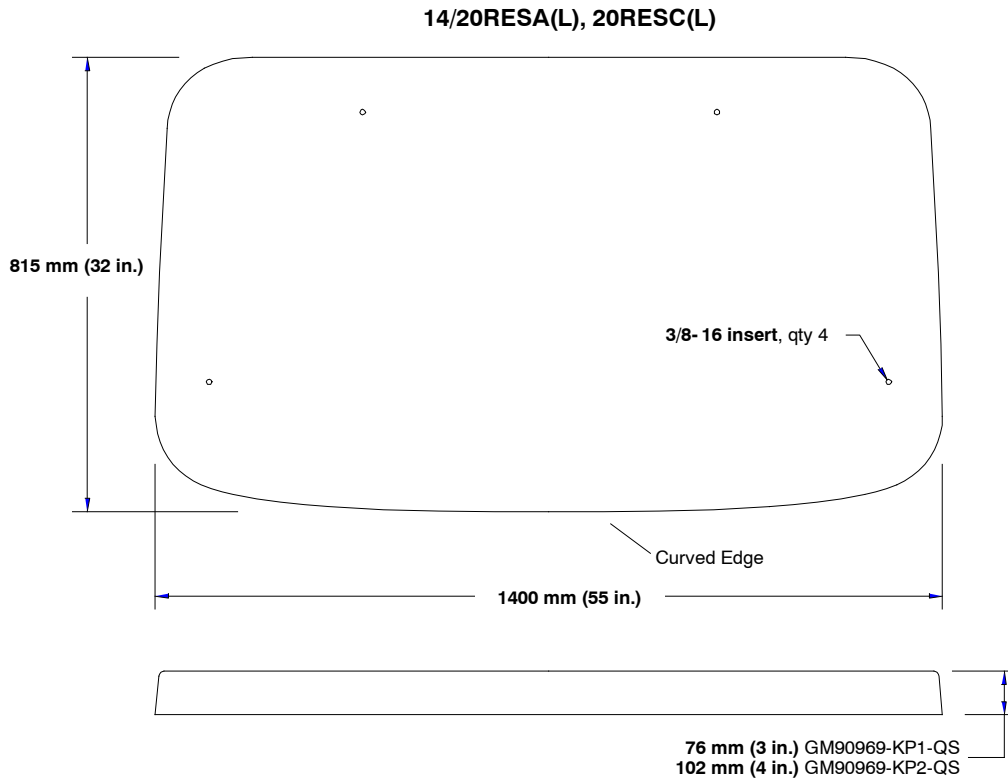
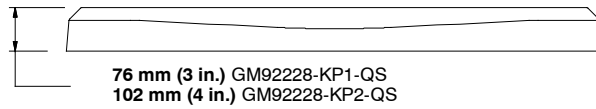
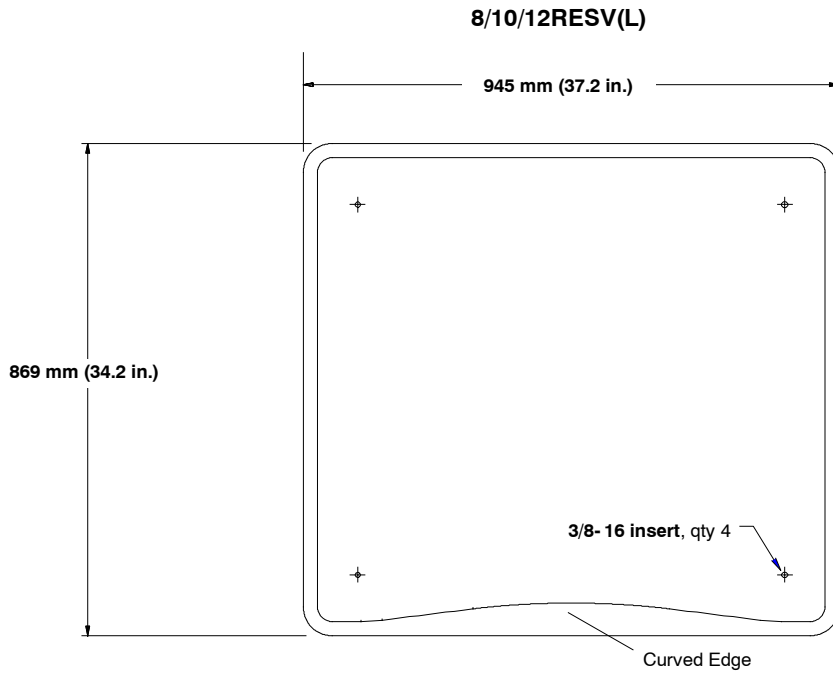
- 8RESV/RESVL
- 10RESV/RESVL
- 12RESV/RESVL
- 14RCA/RCAL
- 14RESA/RESAL
- 20RCA/RCAL
- 20RESA/RESAL
- 20RESC/RESCL

Description

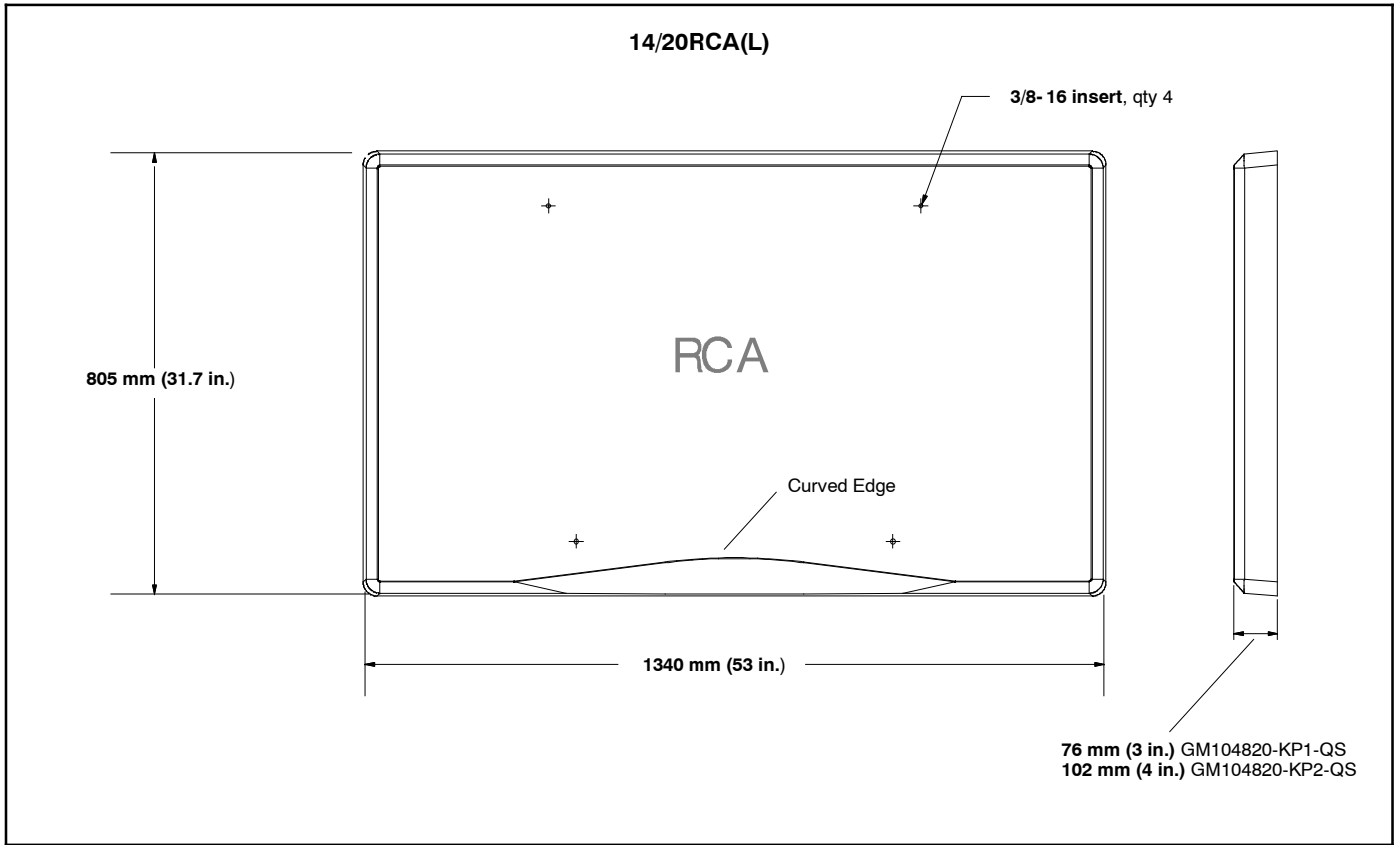
Concrete mounting pads allow easy installation of the Kohler® residential generator models listed above. Mounting pads are available in 3 inch and 4 inch thicknesses. The 4-inch hurricane pad has a wind rating of 175 mph and is recommended for storm-prone areas.

- Fiber-reinforced concrete pad with rebar.
- Impact resistant.
- Flat bottom facilitates mounting and leveling of the generator and prevents the generator from sinking into the ground.
- Pad is sized and contoured for the generator models listed above.
- 3/8- 16 threaded inserts are located at the generator mounting hole positions for easy installation.
- Pad contains 25% recycled materials.

Mounting Pad Dimensions



Mounting Pad Dimensions





KOHLER CO., Kohler, Wisconsin 53044 USA
 Phone 920-457-4441, Fax 920-459-1646
 For the nearest sales and service outlet in the
 US and Canada, phone 1-800-544-2444
 KOHLERPower.com

Specifications

Model	Kit Number	Wind Rating, mph	Mounting Pad Dimensions (L x W x H)	Mounting Pad Thickness	Weight, each	Shipping Weight, 10 pads with pallet
8/10/12RESV(L)	GM92228-KP1-QS	NA	940 x 864 x 76 mm (37 x 34 x 3 in.)	76 mm (3 in.)	61 kg (135 lbs.)	658 kg (1450 lbs.)
	GM92228-KP2-QS	175	945 x 869 x 102 mm (37.2 x 34.2 x 4 in.)	102 mm (4 in.)	84 kg (185 lbs.)	885 kg (1950 lbs.)
14/20RESA(L) 20RESC(L)	GM90969-KP1-QS	NA	1394 x 810 x 76 mm (54.9 x 31.9 x 3 in.)	76 mm (3 in.)	86 kg (190 lbs.)	903 kg (1990 lbs.)
	GM90969-KP2-QS	175	1400 x 815 x 102 mm (55 x 32 x 4 in.)	102 mm (4 in.)	125 kg (275 lbs.)	1293 kg (2850 lbs.)
14/20RCA(L)	GM104820-KP1-QS	NA	1334 x 800 x 76 mm (52.5 x 31.5 x 3 in.)	76 mm (3 in.)	86 kg (189 lbs.)	903 kg (1990 lbs.)
	GM104820-KP2-QS	175	1340 x 805 x 102 mm (52.8 x 31.7 x 4 in.)	102 mm (4 in.)	125 kg (275 lbs.)	1293 kg (2850 lbs.)

Notes: As of February 18, 2019, each kit will contain one mounting pad. There is a minimum order quantity of 10 kits (10 mounting pads).
 Mounting pads for 14/20RCA(L) models are stamped "RCA" for identification.

DISTRIBUTED BY:

Availability is subject to change without notice. Kohler Co. reserves the right to change the design or specifications without notice and without any obligation or liability whatsoever. Contact your local Kohler® generator distributor for availability.

© 2014, 2015, 2019 by Kohler Co. All rights reserved.