



The Kohler® Advantage

- **High Quality Power**
Kohler home generators provide advanced voltage and frequency regulation along with ultra-low levels of harmonic distortion for excellent generator power quality to protect your valuable electronics.
- **Extraordinary Reliability**
Kohler is known for extraordinary reliability and performance and backs that up with a premium 5-year or 2000 hour limited warranty.
- **Powerful Performance**
Exclusive Powerboost™ technology provides excellent starting power. The Kohler 14 kW generator can easily start and run a 5 ton air conditioner. §
- **Aluminum Enclosure**
 - Attractive aluminum enclosure allows installation as close as 18 inches from your home or small business. †
 - Enclosure panels can be removed without tools to allow easy access for maintenance and service.

Standard Features

- **RDC2 Controller**
 - One digital controller manages both the generator set and transfer switch functions (with optional Model RXT).
 - Electronic speed control responds quickly to varying demand.
 - OnCue® Plus Generator Management System for remote monitoring is included with the generator.
- **Kohler Command PRO Engine Features**
 - Kohler Command PRO® OHV engine with hydraulic valve lifters for reliable performance without routine valve adjustment or lengthy break-in requirements.
- **Designed for Easy Installation**
 - Sturdy aluminum base can be mounted on gravel or a concrete mounting pad.
 - Fuel and electrical connections through the enclosure wall eliminate the need for stub-ups through the base.
 - Customer connection terminal block located near the controller allows easy access for field wiring.
 - Designed for outdoor installation only.
- **Certifications**
 - Meets emission regulations for U.S. Environmental Protection Agency (EPA) with both natural gas and LPG.
 - UL 2200/cUL listed (60 Hz model).
 - CSA certification available (60 Hz model).
 - Accepted by the Massachusetts Board of Registration of Plumbers and Gas Fitters.
 - Meets 181 mph wind rating.
- 14RCAL models packaged with a Model RXT automatic transfer switch are available. See page 4 and the Model RXT ATS specification sheet.
- **Warranty**
 - 5-year/2000 hour limited warranty for on-grid (standby) applications in locations served by a reliable utility source.
 - 18 month/1000 hour limited warranty for off-grid (non-standby) applications.

Generator Ratings

					Standby Ratings				Non-Standby Ratings				Line Circuit Breaker	
	Alt.	Voltage	Phases	Hz	Natural Gas		LPG		Natural Gas		LPG		Amps	Poles
					kW/ kVA	Amps	kW/kVA	Amps	kW/ kVA	Amps	kW/ kVA	Amps		
2F5	120/240	1	60	12/12	50	14/14	58	12/12	50	14/14	58	70	2	
	120/208	3	60	12/15	41	13/16	45	12/15	41	13/16	45	50	3	
2G5	120/240	3	60	12/15	36	13/16	39	12/15	36	13/16	39	50	3	
	277/480	3	60	12/15	18	13/16	20	12/15	18	13/16	20	25	3	

Note: The line circuit breaker is automatically selected based on the generator set model and voltage configuration.

RATINGS: Standby ratings apply to installations served by a reliable utility source. All single-phase units are rated at 1.0 power factor. The standby rating is applicable to variable loads with an average load factor of 80% for the duration of the power outage. No overload capacity is specified at this rating. Ratings are in accordance with ISO-3046/1, BS5514, AS2789, and DIN 6271. GENERAL GUIDELINES FOR DERATING: *ALTITUDE*: Derate 4% per 305 m (1000 ft.) elevation above 153 m (500 ft.). *TEMPERATURE*: Derate 2% per 5.5°C (10°F) temperature increase above 16°C (60°F). Availability is subject to change without notice. The generator set manufacturer reserves the right to change the design or specifications without notice and without any obligation or liability whatsoever. Contact your local Kohler Co. generator distributor for availability.

§ Check the appliance manufacturer's specifications for actual power requirements. Consult a Kohler® Power Systems professional to calculate your exact residential power system requirements.

† Meets NFPA guidelines for 18 inch clearance to combustible materials. Check state and local codes for minimum distance required from a structure.

Alternator Specifications

Alternator Specifications

Specifications	Alternator
Manufacturer	Kohler
Type	2-Pole, Rotating Field
Leads, quantity	
2F5	4
2G5	12
Voltage regulator	Digital
Insulation:	NEMA MG1-1.66
Material	Class H
Temperature rise	130°C Standby
Bearing: quantity, type	1, Sealed
Coupling	Direct
Amortisseur windings	Full
Voltage regulation, no-load to full-load RMS	± 1.0%
One-step load acceptance	100% of Rating
Peak motor starting kVA: (35% dip for voltages below)	
240V, 1 ph	2F5 (4 lead) 33 (60 Hz)
240 or 480 V, 3 ph	2G5 (12 lead) 54 (60 Hz)

Alternator Features

- Compliance with NEMA, IEEE, and ANSI standards for temperature rise.
- Self-ventilated and drip-proof construction.
- Windings are vacuum-impregnated with epoxy varnish for dependability and long life.
- Superior voltage waveform and minimum harmonic distortion from skewed alternator construction.
- Digital voltage regulator with ±1.0% no-load to full-load RMS regulation.
- Rotating-field alternator with static exciter for excellent load response.
- Total harmonic distortion (THD) from no load to full load with a linear load is less than 5%.

Application Data

Engine

Engine Specifications	
Manufacturer	Kohler
Engine: model, type	CH740 4-Cycle
Cylinder arrangement	V-2
Displacement, cm ³ (cu. in.)	725 (44)
Bore and stroke, mm (in.)	83 x 67 (3.27 x 2.64)
Compression ratio	9:1
Main bearings: quantity, type	2, PTO Side-Load Sleeve Bearings
Rated RPM	
60 Hz	3600
Max. engine power at rated rpm, kW (HP)	
LPG, 60 Hz	17.6 (23.6)
Natural gas, 60 Hz	15.3 (20.5)
Cylinder head material	Aluminum
Valve material	Steel/Stellite®
Piston type and material	Aluminum Alloy
Crankshaft material	Heat Treated, Ductile Iron
Governor: type	Electronic
Frequency regulation, no load to full load	Isochronous
Frequency regulation, steady state	±0.5%
Air cleaner type	Dry

Exhaust

Exhaust System	
Exhaust temperature exiting the enclosure at rated kW, dry, °C (°F)	260 (500)

Lubrication

Lubricating System	
Type	Full Pressure
Oil capacity (with filter), L (qt.)	1.8 (1.9)
Oil filter: quantity, type §	1, Cartridge
Oil cooler	Integral
§ Kohler recommends the use of Kohler Genuine oil and filters.	

Fuel Pipe Size

Minimum Gas Pipe Size Recommendation, in. NPT		
Pipe Length, m (ft.)	Natural Gas 193,000 Btu/hr.	LPG 203,000 Btu/hr.
8 (25)	3/4	3/4
15 (50)	1	3/4
30 (100)	1	1
46 (150)	1 1/4	1
61 (200)	1 1/4	1

Engine Electrical

Engine Electrical System	
Ignition system	Electronic, Capacitive Discharge
Starter motor rated voltage (DC)	12
Battery (purchased separately):	
Ground	Negative
Volts (DC)	12
Battery quantity	1
Recommended cold cranking amps:	
(CCA) rating for - 18°C (0°F)	500
Group size	51

Fuel Requirements

Fuel System	
Fuel types	Natural Gas or LPG
Fuel supply inlet	1/2 NPT
Fuel supply pressure, kPa (in. H ₂ O):	
Natural gas	1.2-2.7 (5-11)
LP	1.7-2.7 (7-11)

Fuel Composition Limits *	Nat. Gas	LPG
Methane, % by volume (minimum)	90 min.	—
Ethane, % by volume (maximum)	4.0 max.	—
Propane, % by volume	1.0 max.	85 min.
Propene, % by volume (maximum)	0.1 max.	5.0 max.
C ₄ and higher, % by volume	0.3 max.	2.5 max.
Sulfur, ppm mass (maximum)	25 max.	
Lower heating value, MJ/m ³ (Btu/ft ³), (minimum)	33.2 (890)	84.2 (2260)

* Contact your local distributor for suitability and rating derates based on fuel compositions outside these limits.

Operation Requirements

Fuel Consumption, m ³ /hr. (cfh) @ 60Hz			
% Load	Natural Gas		LPG
100	5.4	(193)	2.3 (81)
75	4.7	(163)	2.1 (75)
50	3.5	(124)	1.8 (60)
25	2.6	(93)	1.2 (45)
Exercise	1.7	(60)	0.8 (30)

Nominal fuel rating: Natural gas: 37 MJ/m³ (1000 Btu/ft.³)
LPG: 93 MJ/m³ (2500 Btu/ft.³)

LPG conversion factors: 8.58 ft.³ = 1 lb.
0.535 m³ = 1 kg
36.39 ft.³ = 1 gal.

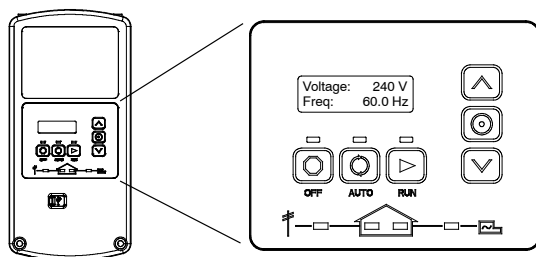
Generator Set Sound Data

Model 14RCA 8 point logarithmic average sound levels are 63 dB(A) during weekly engine exercise and 69 dB(A) during full-speed generator diagnostics and normal operation.*

All sound levels are measured at 7 meters with no load.

* Lowest of 8 points measured around the generator. Sound levels at other points around generator may vary depending on installation parameters.

RDC2 Controller



The RDC2 controller provides integrated control for the generator set, Kohler® Model RXT transfer switch, programmable interface module (PIM), and load shed kit.

RDC2 Controller Features

- Membrane keypad:
 - OFF, AUTO, and RUN pushbuttons
 - Select and arrow buttons for access to system configuration and adjustment menus
- LED indicators for OFF, AUTO, and RUN modes

RDC2 Controller Features, Continued

- LED indicators for utility power and generator set source availability and ATS position (Model RXT transfer switch required)
- LCD display:
 - Two lines x 16 characters per line
 - Backlit display with adjustable contrast for excellent visibility in all lighting conditions
- Scrolling system status display:
 - Generator set status
 - Voltage and frequency
 - Engine temperature
 - Oil pressure
 - Battery voltage
 - Engine runtime hours
- Date and time displays
- Smart engine cooldown senses engine temperature
- Digital isochronous governor maintains steady-state speed at all loads
- Digital voltage regulation: ± 1.0% RMS no-load to full-load
- Automatic start with programmed cranking cycle
- Programmable exerciser can be set to start automatically on any future day and time, and run every week or every two weeks
- Exercise modes:
 - Unloaded weekly exercise with complete system diagnostics
 - Unloaded full-speed exercise
 - Loaded full-speed exercise (Model RXT ATS required)
- Front-access mini USB connector for SiteTech™ or USB Utility connection
- Integral Ethernet connector for Kohler® OnCue® Plus
- Built-in 2.5 amp battery charger
- Remote two-wire start/stop capability for optional connection of a Model RDT transfer switch
- Diagnostic messages: Displays diagnostic messages for the engine, generator, Model RXT transfer switch, programmable interface module (PIM), and load management device.
- Maintenance reminders
- System settings:
 - System voltage, frequency, and phase
 - Voltage adjustment
 - Measurement system, English or metric
- ATS status (Model RXT ATS required):
 - Source availability
 - ATS position (normal/utility or emergency/generator)
 - Source voltage and frequency
- ATS control (Model RXT ATS required):
 - Source voltage and frequency settings
 - Engine start time delay
 - Transfer time delays
 - Voltage calibration
 - Fixed pickup and dropout settings
- Programmable Interface Module (PIM) status displays:
 - Input status (active/inactive)
 - Output status (active/inactive)
- Load control menus:
 - Load status
 - Test function

Generator Set Standard Features

- Battery cables
- EPA certified fuel system
- Aluminum sound enclosure
- Critical silencer
- Field-connection terminal block
- Fuel solenoid valve and secondary regulator
- Line circuit breaker
- Multi-fuel system, LPG/natural gas, field-convertible
- Oil drain extension with shutoff valve
- OnCue® Plus Generator Management System
- Premium 5-year/2000 hour limited standby warranty
- 18-month/1000 hour limited warranty for non-standby (off-grid) applications
- RDC2 generator set/ATS controller
- Rodent-resistant construction
- Sound-deadening, flame-retardant foam per UL 94, class HF-1

Available Options

Approvals and Listings

- CSA approval

Concrete Mounting Pads

- Concrete mounting pad, 3 in. thick
- Concrete mounting pad, 4 in. thick (recommended for storm-prone areas)

Electrical Accessories

- Battery
- Battery heater, 120VAC
- Battery heater, 240VAC
- Cold weather package, 120VAC
- Cold weather package, 240VAC
- Emergency stop kit
- PowerSync® Automatic Paralleling Module (APM) (single phase only; parallel two 14kW residential generator sets with the RDC2 controller)
- Programmable interface module (PIM) (provides 2 digital inputs and 6 relay outputs)

Fuel System Accessories

- Flexible fuel line (included on QS models)
- Carburetor heater, 120 VAC
- Carburetor heater, 240 VAC
 Carburetor heater is recommended for reliable starting at temperatures below 0°C (32°F)

Literature

- General maintenance literature kit
- Overhaul literature kit
- Production literature kit

Maintenance

- Maintenance kit (includes air filter, oil, oil filter, and spark plugs)

Automatic Transfer Switches and Accessories

- Model RDT ATS
- Model RXT ATS
- Model RXT ATS with combined interface/load management board
- Load shed kit for RXT or RDT
- Power relay modules (use up to 4 relay modules for each load management device)
- Other Kohler® ATS

14RCAL Model Packages

- 14RCAL with 100 amp RXT with 16-space load center and NEMA 1 steel enclosure for indoor installation
- 14RCAL with 200 amp service entrance-rated Model RXT with combined interface/load management board and corrosion-resistant NEMA 3R aluminum enclosure

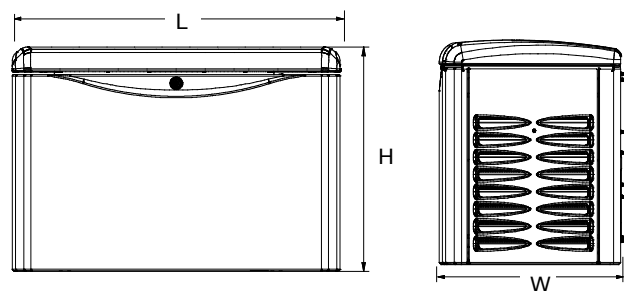
Warranty

- 5- Year Comprehensive Limited Warranty
- 10- Year Comprehensive Limited Warranty

Generator Set Dimensions and Weights

Generator Set Size, L x W x H: 1193 x 666 x 817 mm
 (47 x 26.2 x 32.2 in.)

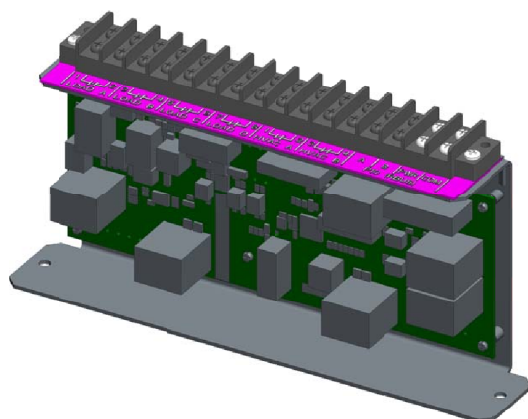
Shipping Weight:
 14RCA Generator Set 200 kg (440 lb.)
 14RCAL with 100 A RXT ATS w/LC: 227 kg (500 lbs.)
 14RCAL with 200 A RXT SE ATS 222 kg (490 lb.)



NOTE: Dimensions are provided for reference only and should not be used for planning installation. Contact your local distributor for more detailed information.

DISTRIBUTED BY:

ISO 9001
KOHLER
POWER SYSTEMS
NATIONALLY REGISTERED



Load Shed Assembly

Applicable Models

- RXT Automatic Transfer Switch (without load center)
- RDT Automatic Transfer Switch (without load center)
- RDT 200 amp service entrance rated transfer switch with 42-circuit load center
- A Kohler® single-phase generator set equipped with the RDC2 or DC2 controller is required. The load shed kit operates with the following generator set models: *
 - 14RESA and 14RESAL
 - 20RESA and 20RESAL
 - 38RCL
 - 48RCL

Standard Features

- Automatically manages up to six residential loads:
 - Four customer-provided power relays can be connected for management of non-essential secondary loads.
 - Two HVAC relays to control two independent air conditioner loads are included.
- Current transformer for load monitoring is provided.
- The load shed kit mounts inside the enclosure on Kohler® Model RXT and RDT automatic transfer switches.

Load Management

- The load shed kit disconnects non-critical loads to prevent generator overload, in compliance with NEC 2008.
- The load shed kit monitors generator current and frequency to determine when to shed loads. This monitoring prevents frequency drops that can damage valuable electronics like computers and televisions.
- Load management with the load shed kit allows the use of a smaller generator set.

Priority Setting

- Loads are added and shed according to their priority. Load 1 is the top priority, which is added first and shed last. Load 6 is the lowest priority.
- Less critical loads can be turned off automatically when essential appliances are running.
- Load priorities are hard-wired at installation.

* Information available at time of publication.

Operation

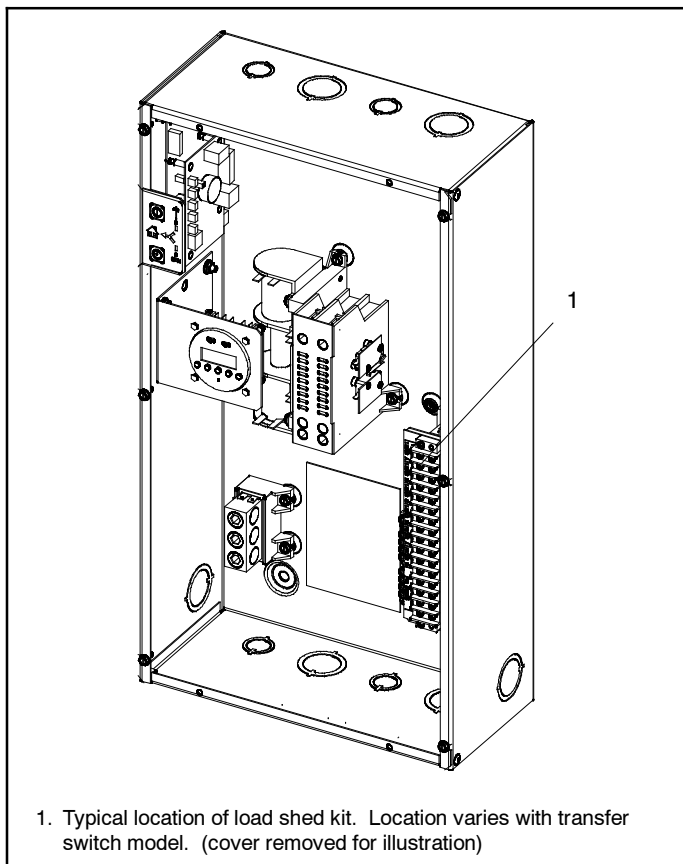
- Loads are automatically added or disconnected based on generator capacity.
- The Kohler-patented load control system uses dynamic logic to prevent shedding important loads unnecessarily when air conditioning, refrigerator, or water pump motors start.
- The load shed kit and generator communicate to provide smart power management. The time to shed loads decreases as each load is shed to quickly adapt to critical power requirements.
- Load shed power level and frequency setpoint adjustments are possible only by using Kohler® SiteTech™ software, available to Kohler-authorized distributors and dealers.

Specifications

Connection	Rating	Connection
Pilot Relays* and HVAC Relays (qty. 2)	125VAC, 10 A (general purpose) 120VAC, 125VA (pilot duty)	Connect to #6 screw on terminal block
RBUS Communication and Power Connections to the RDC2/DC2 controller	0.5 A @ 12 VDC	Use Belden #9402 or equivalent 20 AWG shielded, twisted-pair communications cable †

* Four (4) pilot relays are provided for customer-supplied load-switching contactors/relays.
 † For long distances, use an equivalent shielded, twisted pair cable for RBUS connections and individual 12-20 AWG wires (qty. 2) for power connections. A communication harness for the Model RXT transfer switch is included with the load shed kit. See TT-1609, Load Shed Kit Installation Instructions, for details.

Location Inside ATS Enclosure



Current Transformer

The load shed kit includes a current transformer (CT) for load monitoring. If the application requires cables that are too large for the inner diameter (I.D.) of the CT provided, order current transformer GM17250, or obtain a CT that meets the specifications shown below.

CT Specifications	GM83929 (provided)	GM17250 *
Primary Rating	400 Amps	400 Amps
Secondary Rating	3 VAC	3 VAC
Burden Resistor	16 Ohms	16 Ohms
Burden Resistor Location	Internal	Internal
Inner Diameter (I.D.)	28.7 mm (1.13 in.)	57.2 mm (2.25 in.)

* Order GM17250 for applications that use larger cables.

DISTRIBUTED BY:

Availability is subject to change without notice. Kohler Co. reserves the right to change the design or specifications without notice and without any obligation or liability whatsoever. Contact your local Kohler® generator distributor for availability.

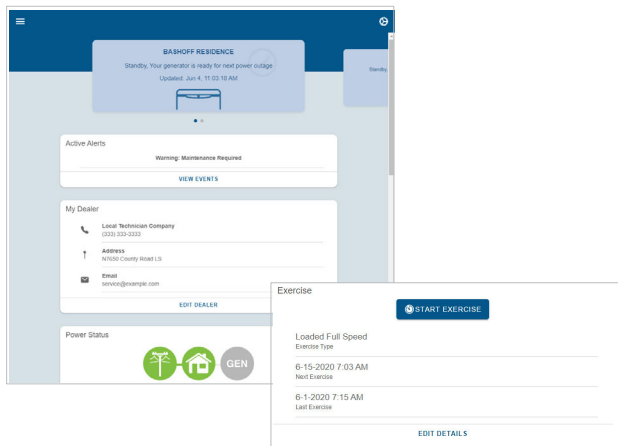
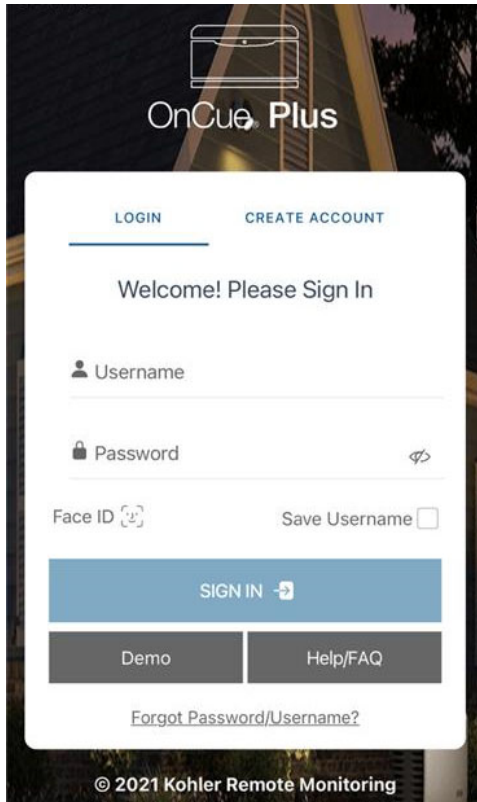
© 2013 by Kohler Co. All rights reserved.

Residential/Light Commercial Generator Accessories

KOHLER®

Kohler® OnCue® Plus Generator Management System

ISO 9001
KOHLER
POWER SYSTEMS
NATIONALLY REGISTERED



OnCue® Plus is a remote monitoring application that is included with Residential and Light Commercial generators equipped with the controllers listed below. It allows you to access your generator from a computer or smart device anytime, anywhere. You can easily monitor and control your generator set using this application.

Applicable Models

OnCue Plus can be used with Kohler Residential and Light Commercial generator sets equipped with the following controllers:

- RDC2 or DC2 Controller
- RDC or DC Controller
- VSC Controller (6VSG variable-speed DC generator set)

The optional OnCue Plus wireless kit is available for generator sets equipped with the following controllers:

- RDC2 or DC2 Controller
- VSC Controller (6VSG variable-speed DC generator set)

OnCue Plus Features

- Simple activation, required just once for each generator.
- Monitor your complete Kohler power system, including the generator, RXT automatic transfer switch, Load Control Module (LCM)*, and Programmable Interface Module (PIM)†.
- Control home automation when the generator set is paired with a Programmable Interface Module (PIM)†. Remote control features:
 - Remotely turn appliances, outdoor lighting, storm shutters, or other electrical equipment on or off.
 - The generator does not need to be running in order to use OnCue Plus for remote control of circuits connected to the PIM.
- Monitor total generator power and percent of generator's rated power on models equipped with a model RXT transfer switch and load shed accessory. *
- Monitor multiple generator sets on one account.
- View time- and date-stamped event history listing generator set starting and stopping, faults, and notifications. (RDC2)
- Receive generator alerts by email, text message, or push notifications on your mobile device or PC. Customize messages by selecting the events that will prompt a notification to be sent to each recipient.
- Start and stop generator exercises from your computer or mobile device, or using the OnCue Plus action/skill on Google Assistant or Amazon Alexa.
- Controller password and generator set serial number protect against access by unauthorized users.

Apple, the Apple logo, iPhone and iPad are registered trademarks of Apple Inc., registered in the U.S. and other countries. App Store is a service mark of Apple Inc.

Alexa and all related marks are trademarks of Amazon.com, Inc or its affiliates.

Android, Google and Google Play are trademarks of Google LLC.

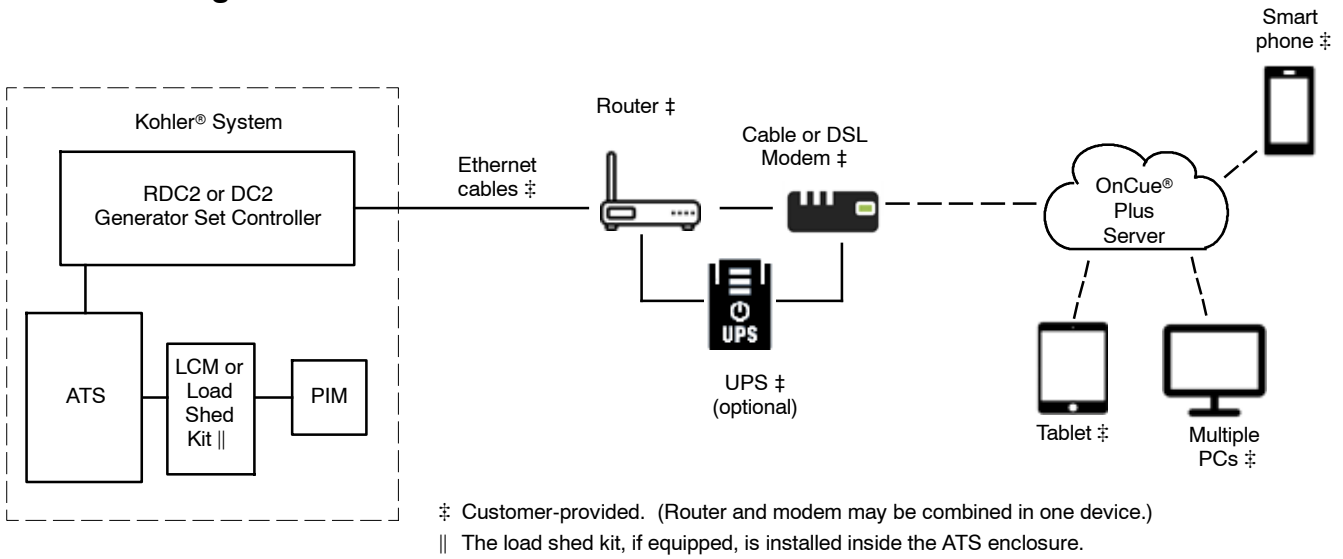
* Model RXT automatic transfer switch and LCM can be used with generator sets equipped with the RDC2 or DC2 controller.

† PIM can be used with generator sets equipped with the RDC2, DC2, or VSC controller.

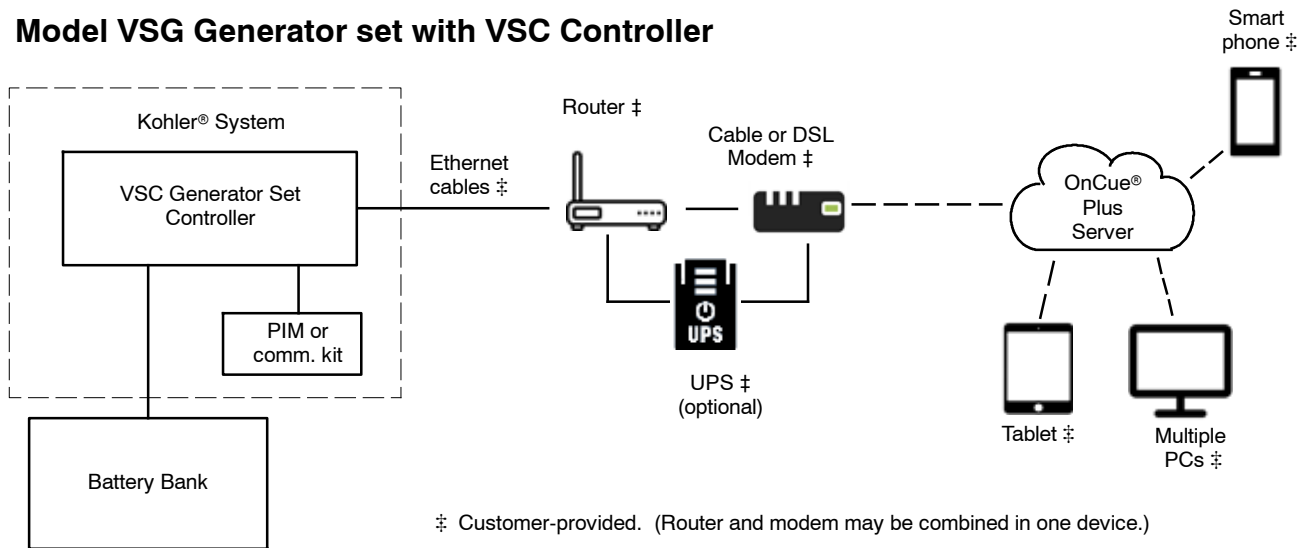
Note: Views shown in this document are samples. Actual views may vary based on customer application and OnCue Plus program updates.

Typical Connections (using cables)

Residential/Light Commercial Generator Set with RDC2 or DC2 Controller

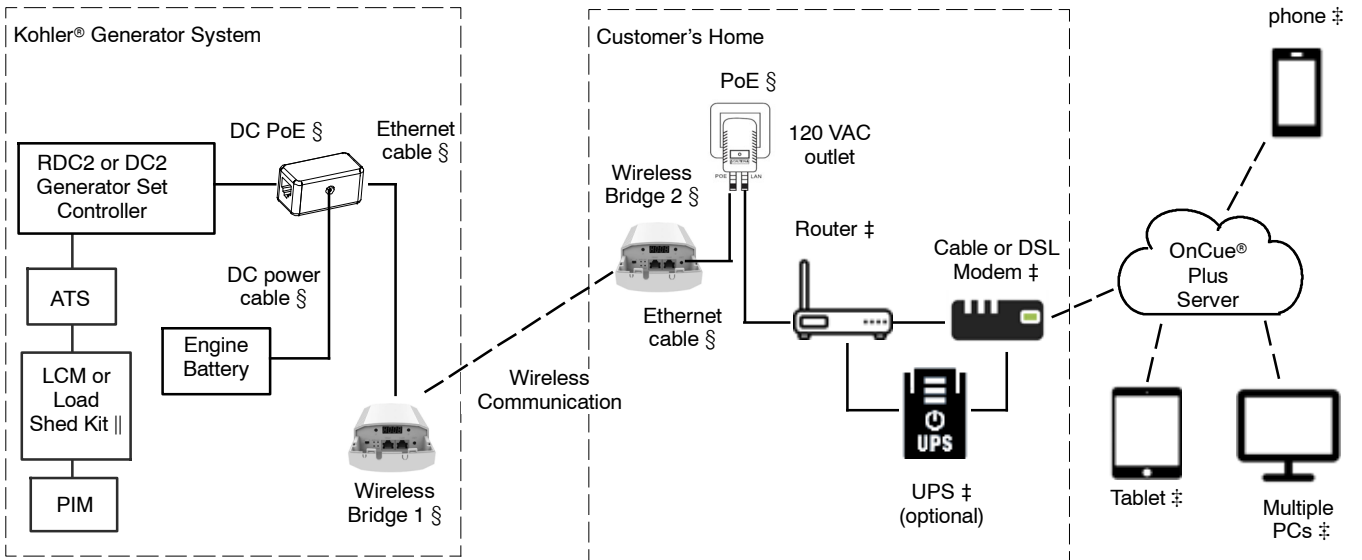


Model VSG Generator set with VSC Controller



Typical Connections (using wireless kit)

Residential/Light Commercial Generator Set with RDC2 or DC2 Controller

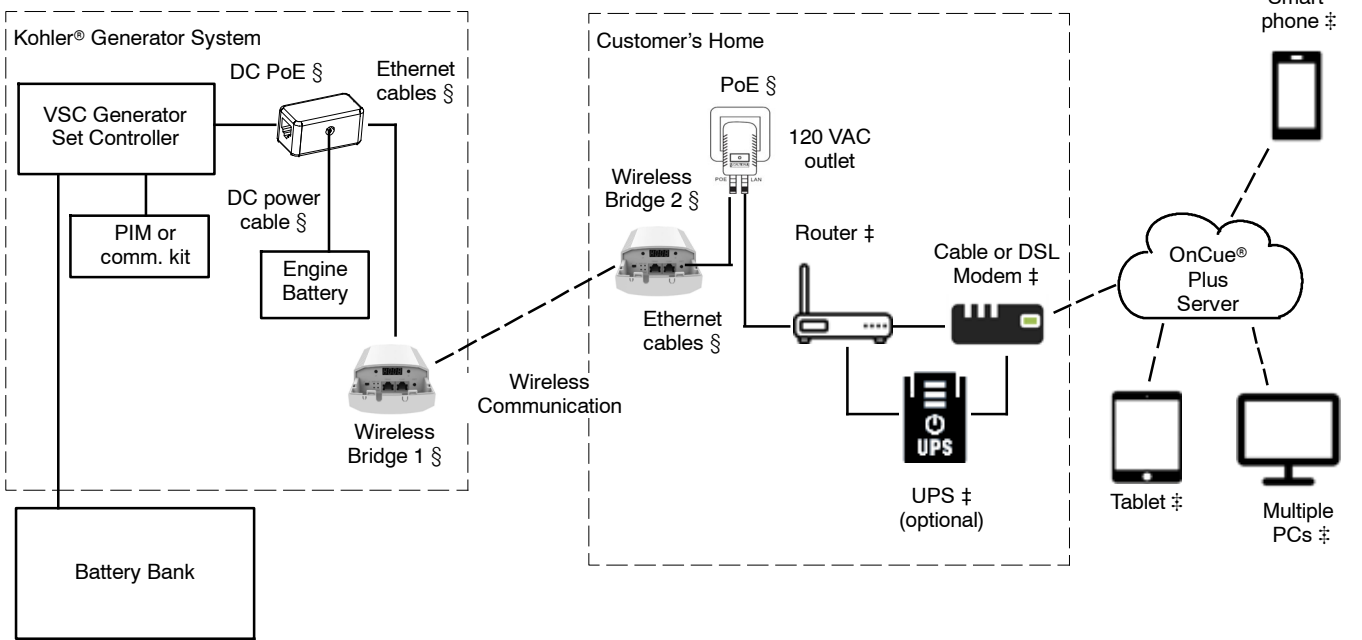


‡ Customer-provided. (Router and modem may be combined in one device.)

§ Provided in the Kohler wireless kit. (Two Ethernet cables for connecting the bridge to the Power over Ethernet [PoE] ports are provided.)

|| The load shed kit, if equipped, is installed inside the ATS enclosure.

Model VSG Generator Set with VSC Controller



‡ Customer-provided. (Router and modem may be combined in one device.)

§ Provided in the Kohler wireless kit. (Two Ethernet cables for connecting the bridge to the Power over Ethernet [PoE] ports are provided.)

System Requirements

- Personal computer (PC) requires one of these Internet browsers:
 - Google Chrome
 - Apple Safari
 - Microsoft Edge 79+
 - Firefox
- Mobile devices require Android™ 5.0 or higher or iOS 11.0 or higher
- Always-on Internet access for the generator (for example, cable, DSL, or phone line modem connected 24 hours a day)
- Amazon Alexa or Google Assistant application on smart devices to access voice control (optional)
- OnCue Plus wireless kit (optional)
- Uninterruptible power supply (UPS) for modem and router (optional)
- See the connection diagrams for customer-provided cables and equipment

Wireless Bridge Specifications

- Environmental specifications:
 - Operating temperature: -30 to 55°C (-22 to 131°F)
 - Storage temperature: -40 to 70°C (-40 to 158°F)
 - Humidity: 5% to 95% (typical)
 - Waterproof level IP65
- Dimensions. L x W x H: 168 x 88 x 48 mm (6.6 x 3.5 x 1.9 in.)
- RF Frequency: 5.150-5.850 GHz
- Regulatory Compliance:
 - CE-LVD
 - EN 60950-1:2006 + A1: 2009 + A1: 2010 + A12: 2011 + A2: 2013
 - IEC 60950-1: 2005 + A1: 2009 + A2: 2013
- Protocol/Standard
 - IEEE 802.3 (Ethernet)
 - IEEE 802.3u (Fast Ethernet)
 - IEEE 802.11b/g/n/ac
- Power Specification:
 - DC PoE: 24 VDC @ 0.5A
- Wireless Bridge Operating Specifications:
 - Voltage 100-240 VAC
 - Frequency 50-60 Hz
 - Input current 300 mA max. @ 90 VAC min.
- LEDs for power and network connection status

View System Operation Data

Generator Set

- Home is powered by the generator or utility power
- Generator set status: running, standby, shutdown, or off
- Active fault indication
- Generator voltage
- Engine starting battery voltage, VDC
- Frequency, Hz
- Generator event history
- Event details, including description, time, and date
- Exercise type
- Next scheduled exercise date and time (estimated based on last exercise date and time)
- Over 20 different parameters
- Generator power, in kW (LCM required*)
- Engine hours
- Last exercise date and time
- Exercise interval, duration and mode

Load Management *

- Loads are added or shed automatically based on generator load
- View connected loads
- On/Off indicators for each circuit indicate status (powered or shed)
- Change load labels to identify the connected circuits

Programmable Interface Module (PIM) †

- View relay status
- On/Off indicators show connected circuits
- Change input and output labels to identify connected circuits

6VSG Communications Kit

- View input and output status
- On/Off indicators show connected circuits

* Model RXT automatic transfer switch and Load Control Module (LCM), load shed kit, or combined interface/load management board can be used with generator sets equipped with the RDC2 or DC2 controller.

† PIM can be used with generator sets equipped with the RDC2, DC2, or VSC controller.

Voice Activation

- Use Google Assistant or Amazon Alexa to control your generator by using your voice.
- Easy setup:
 - Confirm the setup of your OnCue Plus account.
 - Search for OnCue Plus action/skill on the Google Assistant or Amazon Alexa app and follow the simple step-by-step guide to link the accounts.
 - Start talking to your Kohler generator(s) by saying, "Hey Google, ask OnCue Plus," or "Alexa, ask OnCue Plus."
- Sample voice commands:
 - What is the status of my generator?
 - Does my generator have any active alerts?
 - What's the battery voltage?
 - What's the oil temperature?
 - What's the engine temperature?
 - When was my last exercise?
 - Start an exercise.
 - Stop an exercise.
 - Change my exercise details.

Notifications

Email, text messages, and push notifications are sent for the following events. Notifications for selected events can be turned off or on for different recipients. Push notifications can be turned on or off using a smart phone or tablet, and then viewed on a smart phone, tablet, or personal computer.

- Exercise Start
- Exercise Ended
- Generator Running
- Generator Stopped
- Generator Not in Auto/ In Auto
- Utility Loss/ Restored
- Communication Loss/ Restored
- Warnings Active/Cleared (includes maintenance reminders)
- Shutdowns Active/Reset

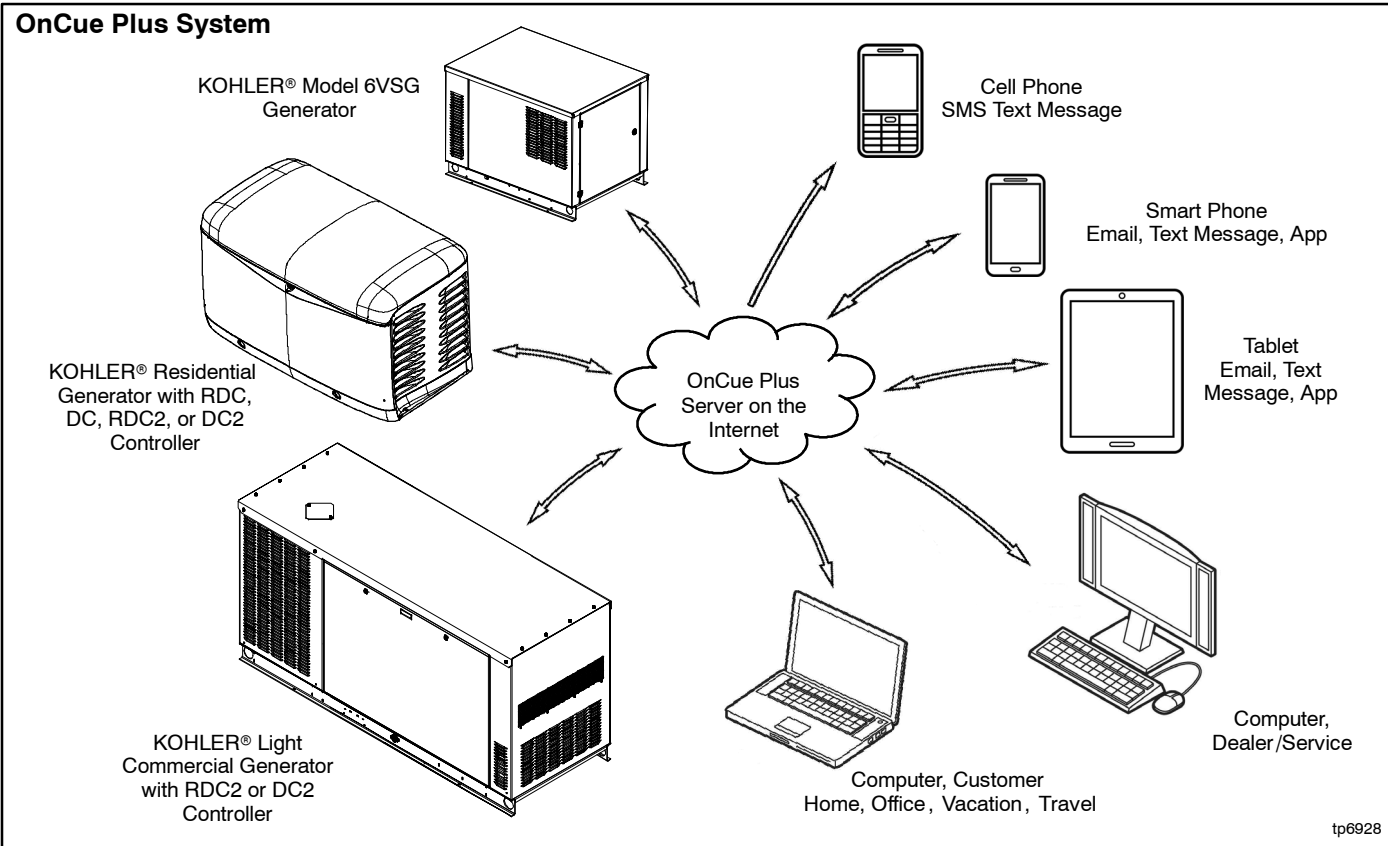
Remote Control/Home Automation

Generator Set

- Start/stop exercises remotely
- Manage exercise interval, duration and mode

Programmable Interface Module (PIM)‡

- Allows remote control of appliances and other electrical devices in your home
- Use your PC or mobile device to turn your lights or appliances on and off from any location with Internet access
- The generator does not need to be running in order to use OnCue Plus for remote control of circuits connected to the PIM.



OnCue® Plus System Kit

Included with every Residential and Light Commercial generator set that is equipped with the RDC2 or VSG controller.

- Activation code decal
- Ethernet connector
- User manual
- Technical Manual

OnCue® Plus Wireless Kit

Optional kit provides wireless connectivity between the generator controller and the homeowner's router.

- Wireless bridges (quantity 2)
- AC power over Ethernet port
- DC power over Ethernet port
- DC power cable
- Ethernet cables (quantity 2 for power over Ethernet connection to wireless bridges)
- Installation instructions with connection diagrams

DISTRIBUTED BY:



Availability is subject to change without notice. Kohler Co. reserves the right to change the design or specifications without notice and without any obligation or liability whatsoever. Contact your local Kohler® generator distributor for availability.

© 2021 Kohler Co. All rights reserved.



Covers have been removed for illustration.

Available Models

- 100, 200, and 400 amp standard and service entrance models are available.
- 150 and 300 amp service entrance models are also available.
- Combined interface/load management board is available on single-phase standard and service entrance models. (Not available on 3-phase or load center models.)
- 100 amp standard single-phase models are available with or without a 16-space load center. Up to 8 tandem breakers can be used for a total of 24 circuits.
- 100amp standard single phase model with a 12-space load center and a NEMA 1 enclosure is available as a standalone non-configurable spec (GM85273-SA_).
- See page 7 for more information.

Model RXT Automatic Transfer Switch

The Model RXT automatic transfer switch is designed for use only with Kohler® generator sets equipped with RDC2 or DC2 generator set/transfer switch controls. The transfer switch operation is controlled by the RDC2/DC2 controller.

Standard Features

- Allows utility voltage display on the RDC2/DC2 generator set/transfer switch controller, available exclusively on Kohler® residential and light commercial generator sets
- UL listed
 - UL 1008 listed, file # E58962
 - Models with load centers use UL 67 listed components
- CSA certification, file # LR58301, is available for:
 - Standard ATS without load center (single and three-phase)
 - Service entrance ATS 100 and 200 amp models
- Corrosion-resistant NEMA 3R aluminum enclosure
 - Padlockable
 - Approved for indoor or outdoor installation
 - ANSI 49 gray
- NEMA 1 enclosure available on 100 amp load center models
- Contactor electrically and mechanically interlocked
- Double throw inherently interlocked design
- Contactor manually operable for maintenance purposes
- Silver alloy main contacts
- Transfer switches are 100% equipment rated and can be applied at the rated current without derating (non-service entrance models)
- Service entrance models include disconnect circuit breaker on the utility (normal) source side (80% rated)
- Five-year limited warranty

Standard Interface Board

- Standard interface board connects to the Model RDC2 or DC2 generator set/transfer switch controller.
- Includes a load control contact that provides a 5 minute time delay for startup of selected loads after transfer to the emergency source. Use for large motor loads.

Combined Interface/Load Management Board

- Optional combined interface/load management board replaces the standard interface board and connects to the Model RDC2 or DC2 generator set/transfer switch controller.
- The combined board is available on single-phase standard and service entrance models. (Not available on 3-phase or load center models.)
- The combined board automatically manages up to six residential loads:
 - Up to four customer-supplied power relay modules can be connected for management of non-essential secondary loads.
 - Two HVAC relays are included for control of two independent air conditioner loads.

Specifications

Codes and Standards

Standard Interface Board	
Controller interface connections A and B	#20 AWG shielded twisted-pair Belden 9402 or 8762 or equivalent
Controller interface connections PWR and COM	#12- 20 AWG (see ATS Installation Manual)
Load control contact rating	10 A @ 250 VAC
Load control connections	#12- 18 AWG

Note: For combined interface/load management board specifications, see page 3.

Environmental Specifications	
Operating temperature	- 20°C to 70°C (- 4°F to 158°F)
Storage temperature	- 40°C to 85°C (- 40°F to 185°F)
Humidity	5 to 95% noncondensing

The ATS meets or exceeds the requirements of the following specifications:

- Underwriters Laboratories UL 1008, Standard for Automatic Transfer Switches for Use in Emergency Systems, file #E58962
- Underwriters Laboratories UL 508, Standard for Industrial Control Equipment
- CSA certification available, file #LR58301 (not available for 150, 300, or 400 amp service entrance or 100 amp load center models). Must be selected when the transfer switch is ordered.
- NFPA 70, National Electrical Code
- NFPA 110, Emergency and Standby Power Systems
- NEMA Standard IC10- 1993, AC Automatic Transfer Switches

Cable Sizes						
AL/CU UL-Listed Solderless Screw-Type Terminals for External Power Connections						
Switch Size, Amps	Switch	Phases	Range of Wire Sizes, Cu/Al			
			Normal and Emergency	Load	Neutral	Ground
100	Standard	1	(1) #14 - 1/0 AWG	(1) #14 - 1/0 AWG	(5) #12 to 250 KCMIL (Cu) or (5) #10 to 250 KCMIL (Al)	(9) #6 - #14 AWG (4) #14 - 1/0 AWG
	12- or 16-space load center (NEMA 1)	1	(1) #14 - 1/0 AWG	per customer-supplied circuit breaker	(26) #4 - 14 AWG or (2) #14 - 1/0 AWG or (1) #6 - 2/0 AWG	
	16-space load center (NEMA 3R)	1	(1) #14 - 1/0 AWG	per customer-supplied circuit breaker	(26) #4 - 14 AWG or (2) #14 - 1/0 AWG or (1) 2/0 AWG	
	Service Entrance	1	Normal: (1) #12 - 2/0 AWG Emerg: (1) #14 - 1/0 AWG	(1) #14 - 1/0 AWG	(5) #12 to 250 KCMIL (Cu) or (5) #10 to 250 KCMIL (Al)	(4) #14 - 1/0 AWG (9) #14 - #6 AWG
	3-Phase	3	(1) #14 - 1/0 AWG	(1) #14 - 1/0 AWG	(3) #4 AWG - 600 KCMIL (6) 1/0 AWG - 250 KCMIL	
150 200	Service Entrance	1	Normal: (1) #4 - 300 KCMIL Emerg: (1) #6 - 250 KCMIL	(1) #6 - 250 KCMIL	(5) #12 to 250 KCMIL (Cu) or (5) #10 to 250 KCMIL (Al)	(9) #14 - #4 AWG (4) #14 - 1/0 AWG
200	Standard	1	(1) #6 AWG - 250 KCMIL	(1) #6 - 250 KCMIL	(5) #12 to 250 KCMIL (Cu) or (5) #10 to 250 KCMIL (Al)	
	3-Phase	3				
300 400	Service Entrance	1	Normal: : (1) #1 - 600 KCMIL or (2) #1 - 250 KCMIL Emerg: (2) #6 - 250 KCMIL	(2) #6 - 250 KCMIL	(3) #4 AWG - 600 KCMIL (6) 1/0 AWG - 250 KCMIL	(6) #6 - 3/0 AWG
400	Standard	1	(2) #6 - 250 KCMIL	(2) #6 - 250 KCMIL	(3) #4 AWG - 600 KCMIL (6) 1/0 AWG - 250 KCMIL	(6) #6 - 3/0 AWG
	3-pole 208-240 V	3				
	3 or 4 pole 480 V	3				

Note: Data is subject to change. Refer to the transfer switch dimension drawings and wiring diagrams for planning and installation.

Optional Combined Interface/Load Management Board

The RXT transfer switch is available with either a standard interface board or a combined interface/load management board. The combined board allows load management as described below.

Load Management

- The combined load management board disconnects non-critical loads to prevent generator overload, in compliance with NEC.
- The combined load management board monitors generator current and frequency to determine when to add or shed loads. This monitoring prevents frequency drops that can damage valuable electronics like computers and televisions.
- Load management allows the use of a smaller generator set.

Operation

- Loads are automatically added or shed based on generator capacity.
- The load control system uses dynamic logic to prevent shedding important loads unnecessarily when air conditioning, refrigerator, or water pump motors start (patent pending).
- The load management board and generator communicate to provide smart power management. The time to shed loads decreases as each load is shed to quickly adapt to critical power requirements.
- Load shed power level and frequency setpoints can be adjusted using a personal computer (laptop) and Kohler® SiteTech™ software, which is only available to Kohler-authorized distributors and dealers.

Priority Setting

- Loads are added and shed according to their priority. Load 1 is the top priority, which is added first and shed last. Load 6 is the lowest priority.
- Less critical loads can be turned off automatically when essential appliances are running.
- Load priorities are hard-wired at installation.

Viewing Load Shed Outputs with OnCue® Plus

- Use Kohler's OnCue® Plus Generator Management System (sold separately) to view load status (On or Off) for loads connected to the load shed relays.
- Use OnCue® Plus to remotely monitor when loads are shed or added.
- The load shed outputs can be labeled in OnCue® Plus.

Current Transformer

- The combined load management board option includes a 400 amp current transformer (CT) for load monitoring.
- A larger diameter CT is available for applications that require larger cables.
- A 500 amp CT is available for use with a 60RCL generator.
- See the table below for current transformer specifications and optional kit numbers.

Load Shed Specifications

Connection	Rating	Connection
Pilot Relays*	125VAC, 10 A total (general purpose) 120VAC, 125VA (pilot duty)	#12- 20 AWG
HVAC Relays (qty. 2)	125VAC, 10 A (general purpose) 120VAC, 125VA (pilot duty)	#12- 20 AWG
RBUS Communication and Power Connections to the RDC2/DC2 controller	0.5 A @ 12 VDC	Use Belden #9402 or equivalent 20 AWG shielded, twisted-pair communications cable †
* Four (4) pilot relays are provided for customer-supplied normally closed load-switching contactors/relays. The combination of four load relay outputs cannot exceed 10 amps total current draw. Kohler® power relay modules are recommended.		
† For long distances, use an equivalent shielded, twisted-pair cable for RBUS connections and individual 12- 20 AWG wires (qty. 2) for power connections.		

Current Transformer Specifications

Ratio (Amps:VAC)	Outer Diameter mm (in.)	Inner Diameter mm (in.)	Service Part Number	Sales Kit Part Number	CT Availability
400:3	63.5 (2.5)	28.7 (1.13)	GM83929	N/A	Included with combined board
400:3	111.8 (4.4)	57.2 (2.25)	GM17250	GM17250-KP1-QS	Sold Separately
500:3	171.5 (6.75)	108.0 (4.25)	GM60264	GM17250-KP2-QS	Sold Separately (use with 60RCL)

Withstand and Close-On Ratings (WCR)

Service Entrance Transfer Switch Ratings

The service entrance transfer switch is factory-equipped with a normal source disconnect circuit breaker.

Suitable for the control of motors, electric discharge lamps, tungsten filament lamps and electric heating equipment where the sum of motor full-load ampere ratings and the ampere ratings of other loads do not exceed the ampere rating of the switch and the tungsten load does not exceed 30 percent of switch rating.

Switch Rating, Amps *	WCR, RMS Symmetrical Amps at 240 VAC
100, 150, 200	22,000
300, 400	35,000
* Continuous load current not to exceed 80% of switch rating.	

Contactor Ratings with Coordinated Circuit Breakers

Single-phase transfer switches are UL listed at 240 VAC maximum. Three-phase transfer switches are rated at 480 VAC maximum. The following table lists contactor withstand current ratings (WCR) for 100- 400 ampere non-service entrance rated switches with specific manufacturer's circuit breakers per UL and Canadian safety standards. Suitable for the control of motors, electric discharge lamps, tungsten filament lamps and electric heating equipment where the sum of motor full-load ampere ratings and the ampere ratings of other loads do not exceed the ampere rating of the switch and the tungsten load does not exceed 30 percent of switch rating.

The transfer switch is rated for use on a circuit capable of delivering not more than the RMS symmetrical amperes maximum as shown in the tables below, but no greater than the interrupting capacity of the selected breaker.

WCR Ratings with Specific Manufacturer's Molded-Case Circuit Breakers						
Switch Rating, Amps	Voltage, max.	Number of Poles/ Phases	WCR, RMS Symmetrical Amps	Manufacturer	Type or Class	Maximum Size, Amps
100	240	2 pole/ 1 phase	10,000	Any Breaker *	Any Breaker (0.025 seconds max.)	—
150 200	240	2 pole/ 1 phase	10,000	Any Breaker *	Any Breaker (0.025 seconds max.)	—
100 200	480	3 pole/ 3 phase	30,000	Eaton	FCL	100
					JGS, JGH, JGC, JGU, JGX, JBD, JD, HJD, JDC, LCL, LCLA	250
					LDC, CLDC, KDB, KD, HKD, KDC, LD, CLD, HLD, CHLD	400
				ITE/Siemens	CED6, HED4, HED6	125
					CFD6, FD6A, FXD6, HFD6, HFXD6, HHFD6, HHFXD6	250
					CJD6	400
		General Electric		SEL, SEP, THLC1, PE_E, PE_N, PE_H, PE_L	150	
				THLC2	225	
				SFH, SFL, SFP, PE_E, PE_N, PE_H, PE_L SGH, SGL, SGP, FGN, FGH, FGL, FGP, PG_E, PG_N, PG_H, PG_L, PG_P	400	
		Schneider		HG, HJ, HL, HR	150	
				JJ, JL, JR	250	
				LG, LJ, LL, LR	400	
* For higher WCR values, contact the factory for additional specific breaker ratings.						

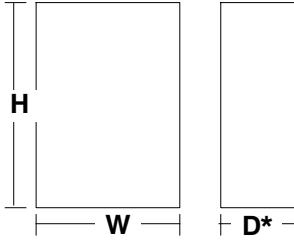
WCR Ratings with Specific Manufacturer's Molded-Case Circuit Breakers

Switch Rating, Amps	Voltage, max.	Number of Poles/ Phases	WCR, RMS Symmetrical Amps	Manufacturer	Type or Class	Maximum Size, Amps
300 400	240	2 pole/ 1 phase	35,000	ABB	T5, T6	600
				Eaton	CHKD, CKD, DK, HKD, KD, KDB, KDC, LA TRIPAC, LCL	400
					CHLD, CLD, CLDC, HLD, LD, LDB, LDC	600
					HMDL, MDL, NB TRI-PAC	800
				General Electric	FGH, FGL, FGN, FGP, SGHA	600
				Siemens	CJD6, HHJD6, HHJXD6, HJD6, HJGA, HJXD6, JD6, JXD2, JXD6, SCJD6, SHJD6, SJD6, NJGA, LJGA	400
					CLD, HHL, HHLXD, HLD, HLGA, HLXD, LD, LLGA, LX, NLGA, SCLD, SHLD, SLD	600
					CMD, HLMD, HLMXD, HMD, HMG, HMXD, LMD, LMG, LMXD, MD, MXD, NMG, SCMD, SHMD, SMD	800
				Square D	LA, LC, LE, LH, LI, LX, LXI	400
					DG, DJ, DL, LC, LE, LI, LX, LXI	600
Merlin Gerin	CJ400H, CJ400L, CJ400N	400				
	CJ600H, CJ600N	600				
400	240	3 pole/ 3 phase	65,000	Schneider	LJ, LL, LR	600
				General Electric	SEL, SEP, PE_N, PE_H, PE_L	150
					SFL, SFP, PE_N, PE_H, PE_L	250
					SGL, SGP	400
					SGL, SGP, FGL, FGP	600
	480	3 pole/ 3 phase 4 pole/ 3 phase	50,000	Eaton	HJD, JDC, JGC, JGH, JGU, JGX	250
					CHLD4, CLD, HLD4, CLDC, LDC, KDC, HKD, CHMDL4, CMDL4	400
					CHLD6, HDL6, CHMDL6, CMDL6, CLDC, CLD6, LDC6, CLDC6	600
					CHMDL8, HMDL8, MDL8, CMDL8	800
					ITE/Siemens	CFD6, HFD6, HFXD6, HHFD6, HHFXD6
				CJD6		400
				CLD6, HHL6, HHLXD6, HLD6, HLXD6		600
				CMD6, MD6, HMD6, HMXD6, MXD6		800
				General Electric	SEL, SEP, PE_N, PE_H, PE_L	150
					SFL, SFP, PE_N, PE_H, PE_L	250
					SGL, SGP	400
					FGL, FGP, SGL, SGP, PG_H, PG_L, PG_N, PG_P	600
				Schneider	HJ, HL, HR	150
					JJ, JL, JR	250
					LJ, LL, LR	600
MJ	800					
100,000	General Electric	PG_H, PG_L, PG_P	600			

Dimensions and Weights

Note: Always use the transfer switch dimension drawing for planning and installation. Weights and dimensions may vary for different configurations. See the Operation/Installation Manual or your local distributor for dimension drawings.

Transfer switch weights and dimensions shown in the table do not include packaging. To estimate the shipping weight, add 3 kg (5 lbs.) or 10% (whichever is larger) to the weight shown.



Amps	Description	Dimensions, H x W x D, mm (in.) †		Shipping Weight ‡ kg (lb.)	Dimension Drawing
100	Single phase	623 x 335 x 180	(24.5 x 13.2 x 7.1)	7 (15)	ADV-8688
	With 12-space load center (NEMA 1)	610 x 330 x 154	(24.0 x 13.0 x 6.0)	12 (26)	ADV-9186
	With 16-space load center (NEMA 1)	610 x 330 x 154	(24.0 x 13.0 x 6.0)	12 (26)	ADV-9187
	With 16-space load center	614 x 335 x 180	(24.2 x 13.2 x 7.1)	8 (18)	ADV-9188
	Three phase	682 x 462 x 228	(26.8 x 18.2 x 9.0)	14 (30)	ADV-8689
	Service entrance (ASE)	734 x 416 x 175	(28.9 x 16.4 x 6.9)	10 (22)	ADV-9046
	Service entrance (CSE)	754 x 416 x 175	(29.7 x 16.4 x 6.9)	14 (30)	ADV-8797
150	Service entrance (ASE)	734 x 416 x 175	(28.9 x 16.4 x 6.9)	12 (26)	ADV-9046
200	Service entrance (ASE)	734 x 416 x 175	(28.9 x 16.4 x 6.9)	12 (26)	ADV-9046
	Service entrance (CSE)	754 x 416 x 175	(29.7 x 16.4 x 6.9)	16 (36)	ADV-8798
	Single phase	623 x 335 x 180	(24.5 x 13.2 x 7.1)	7 (15)	ADV-8688
	Three phase	682 x 462 x 228	(26.8 x 18.2 x 9.0)	14 (30)	ADV-8689
300	Service entrance	1075 x 559 x 329	(42.3 x 22.0 x 12.9)	46 (101)	ADV-8694
400	Single phase	1067 x 559 x 329	(42.0 x 22.0 x 12.9)	55 (120)	ADV-8691
	3-Pole/208- 240 volts	1067 x 559 x 329	(42.0 x 22.0 x 12.9)	41 (90)	ADV-8692
	3-Pole/480 volts	1222 x 610 x 343	(48.1 x 24.0 x 13.5)	59 (130)	ADV-8693
	4-Pole	1222 x 610 x 343	(48.1 x 24.0 x 13.5)	59 (130)	ADV-8693
	Service entrance	1075 x 559 x 329	(42.3 x 22.0 x 12.9)	46 (101)	ADV-8694

† Depth does not include the padlock hasp on the front of the enclosure.

‡ Transfer switch weights are approximate and do not include packaging.

Note: Enclosures are type NEMA 3R except as noted.

Accessories

Auxiliary position-indicating contacts

- One closed on normal position and one closed on emergency position
- Form C contacts rated 15 A @ 250 VAC

Power relay modules

- 50 amp DPST power relay mounted in a NEMA type 3R enclosure
- Use up to four modules with the combined interface/load management board
- UL/cUL listed
- Dimensions: 172 x 233 x 92 mm (6.8 x 9.2 x 3.6 in.)
- For more information, see specification sheet G6-143

Status indicator kit for standard interface board

- LEDs indicate normal and emergency source availability and contactor position
- Mounts on the outside of the RXT enclosure
- View transfer switch status without removing enclosure cover
- An overhang on the enclosure protects the indicator panel and ribbon cable opening
- Dimensions: 92 mm x 42 mm (3.62 in. x 1.65 in.)
- Connects to the standard interface board only
- For more information on the status indicator kit, see specification sheet G11-123

Status indicator kit for combined interface/load management board

- LEDs indicate normal and emergency source availability and contactor position
- Dual color LEDs for each load indicate load status (powered or shed) and flash during a test
- Load shed test button allows the operator to cycle the load shed relays in order of priority (when generator is in RUN mode)
- Mounts on the outside of the RXT enclosure
- View transfer switch and load status without removing enclosure cover
- An overhang on the enclosure protects the indicator panel and ribbon cable opening
- Dimensions: 183 mm x 42 mm (7.20 in. x 1.65 in.)
- Connects to the combined interface/load management board only
- For more information on the status indicator kit, see specification sheet G11-123

Auxiliary circuit breaker (service entrance models only)

- 15 amp single-pole type QO circuit breaker
- Mounts on a bracket inside the enclosure

Available Models

All Model RXT transfer switches are standard-transition 60 Hz automatic transfer switches. Letters in parentheses refer to the model designation code described on the last page.

Amps	Description (Connections)	Voltages			Poles	Phases	WCR § RMS Symmetrical Amps
		208 (C)	240 (F)	480 (M)			
100	Standard (A)		•		2 (N)	1	10,000
	Standard, with 16-space load center (B) ¶		•		2 (N)	1	10,000
	Standard, with 12-space load center **		•		2 (N)	1	10,000
	Service entrance (ASE, CSE)		•		2 (N)	1	22,000
	Standard, 3-phase (A)	•	•	•	3 (T) or 4 (V)	3	30,000
150	Service entrance (ASE)		•		2 (N)	1	22,000
200	Standard (A)		•		2 (N)	1	10,000
	Service entrance (ASE, CSE)		•		2 (N)	1	22,000
	Standard, 3-phase (A)	•	•	•	3 (T) or 4 (V)	3	30,000
300	Service entrance (ASE)		•		2 (N)	1	35,000
400	Standard (A)		•		2 (N)	1	50,000
	Service entrance (ASE)		•		2 (N)	1	35,000
	Standard, 3-phase (A)	•	•	•	3 (T) or 4 (V)	3	50,000

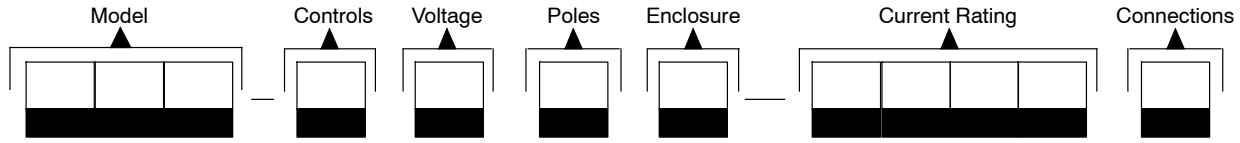
§ Withstand and close-on rating. See pages 3-5 for WCR information and specific breaker ratings.

¶ With 16-space load center and NEMA 1 or NEMA 3R enclosure. Up to 8 tandem breakers can be used, for a maximum of 24 circuits.

** GM85273-SA_ with 12-space load center and NEMA 1 enclosure.

Note: Combined interface board is available on single-phase standard or service entrance models. (Not available on 3-phase or load center models.)

Model Designation



Record the transfer switch model designation in the boxes. The transfer switch model designation defines ratings and characteristics as explained below.

Sample Model Designation: RXT-JFNC-0200A

Model

RXT: Kohler Automatic Transfer Switch

Controls

J: Interface for RDC2/DC2 Controller
 (standard or combined interface/load management)

Voltage/Frequency

C: 208 Volts/60 Hz (3-phase only)
 F: 240 Volts/60 Hz
 M: 480 Volts/60 Hz (3-phase only)

Number of Poles/Wires

N: 2-pole, 3-wire, solid neutral (120/240 V only)
 T: 3-pole, 4-wire, solid neutral
 V: 4-pole, 4-wire, switched neutral

Enclosure

A: NEMA 1 *
 C: NEMA 3R

* NEMA 1 enclosure is available on 100 amp load center models only.

Current Rating

0100: 100 amps 0300: 300 amps
 0150: 150 amps 0400: 400 amps
 0200: 200 amps

Connections

A: No load center
 B: With load center (100 amp single-phase only)
 ASE: Service entrance rated
 CSE: Service entrance rated with CSA certification
 (100/200 amps only)

DISTRIBUTED BY:

Availability is subject to change without notice. Kohler Co. reserves the right to change the design or specifications without notice and without any obligation or liability whatsoever. Contact your local Kohler® generator distributor for availability.

Concrete Mounting Pads



RCA mounting pads are similar to this illustration.

Applicable Models

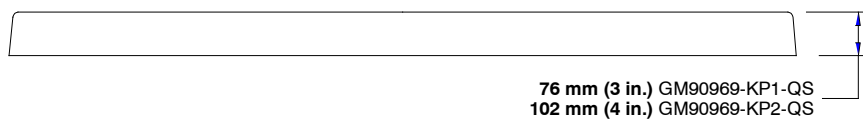
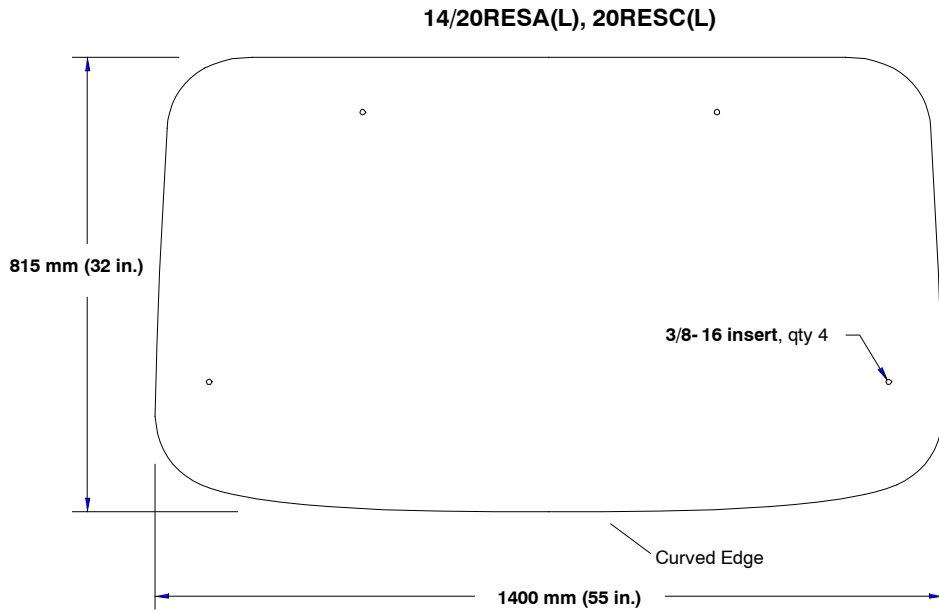
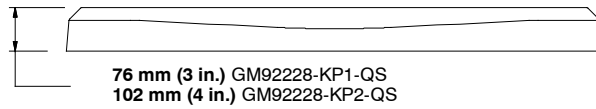
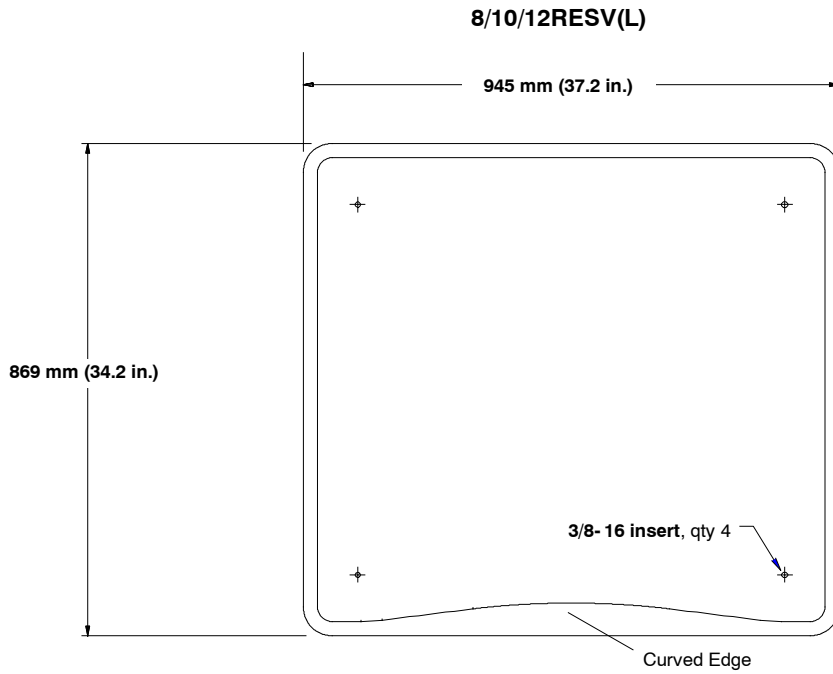
- 8RESV/RESVL
- 10RESV/RESVL
- 12RESV/RESVL
- 14RCA/RCAL
- 14RESA/RESAL
- 20RCA/RCAL
- 20RESA/RESAL
- 20RESC/RESCL

Description

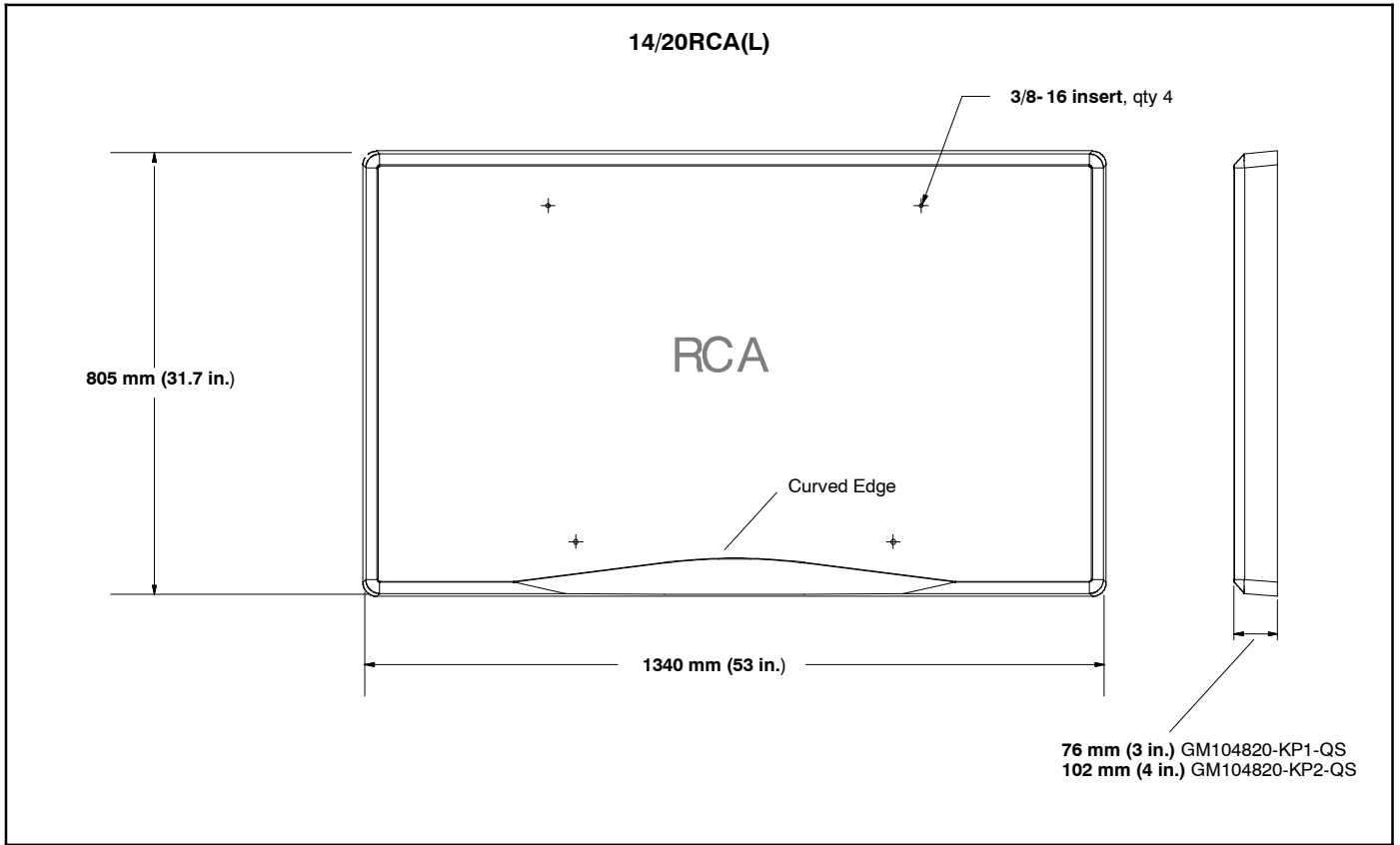
Concrete mounting pads allow easy installation of the Kohler® residential generator models listed above. Mounting pads are available in 3 inch and 4 inch thicknesses. The 4-inch hurricane pad has a wind rating of 175 mph and is recommended for storm-prone areas.

- Fiber-reinforced concrete pad with rebar.
- Impact resistant.
- Flat bottom facilitates mounting and leveling of the generator and prevents the generator from sinking into the ground.
- Pad is sized and contoured for the generator models listed above.
- 3/8- 16 threaded inserts are located at the generator mounting hole positions for easy installation.
- Pad contains 25% recycled materials.

Mounting Pad Dimensions



Mounting Pad Dimensions





KOHLER CO., Kohler, Wisconsin 53044 USA
 Phone 920-457-4441, Fax 920-459-1646
 For the nearest sales and service outlet in the
 US and Canada, phone 1-800-544-2444
 KOHLERPower.com

Specifications

Model	Kit Number	Wind Rating, mph	Mounting Pad Dimensions (L x W x H)	Mounting Pad Thickness	Weight, each	Shipping Weight, 10 pads with pallet
8/10/12RESV(L)	GM92228-KP1-QS	NA	940 x 864 x 76 mm (37 x 34 x 3 in.)	76 mm (3 in.)	61 kg (135 lbs.)	658 kg (1450 lbs.)
	GM92228-KP2-QS	175	945 x 869 x 102 mm (37.2 x 34.2 x 4 in.)	102 mm (4 in.)	84 kg (185 lbs.)	885 kg (1950 lbs.)
14/20RESA(L) 20RESC(L)	GM90969-KP1-QS	NA	1394 x 810 x 76 mm (54.9 x 31.9 x 3 in.)	76 mm (3 in.)	86 kg (190 lbs.)	903 kg (1990 lbs.)
	GM90969-KP2-QS	175	1400 x 815 x 102 mm (55 x 32 x 4 in.)	102 mm (4 in.)	125 kg (275 lbs.)	1293 kg (2850 lbs.)
14/20RCA(L)	GM104820-KP1-QS	NA	1334 x 800 x 76 mm (52.5 x 31.5 x 3 in.)	76 mm (3 in.)	86 kg (189 lbs.)	903 kg (1990 lbs.)
	GM104820-KP2-QS	175	1340 x 805 x 102 mm (52.8 x 31.7 x 4 in.)	102 mm (4 in.)	125 kg (275 lbs.)	1293 kg (2850 lbs.)

Notes: As of February 18, 2019, each kit will contain one mounting pad. There is a minimum order quantity of 10 kits (10 mounting pads).
 Mounting pads for 14/20RCA(L) models are stamped "RCA" for identification.

DISTRIBUTED BY:

Availability is subject to change without notice. Kohler Co. reserves the right to change the design or specifications without notice and without any obligation or liability whatsoever. Contact your local Kohler® generator distributor for availability.

© 2014, 2015, 2019 by Kohler Co. All rights reserved.