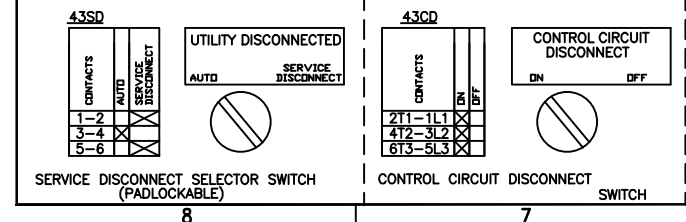
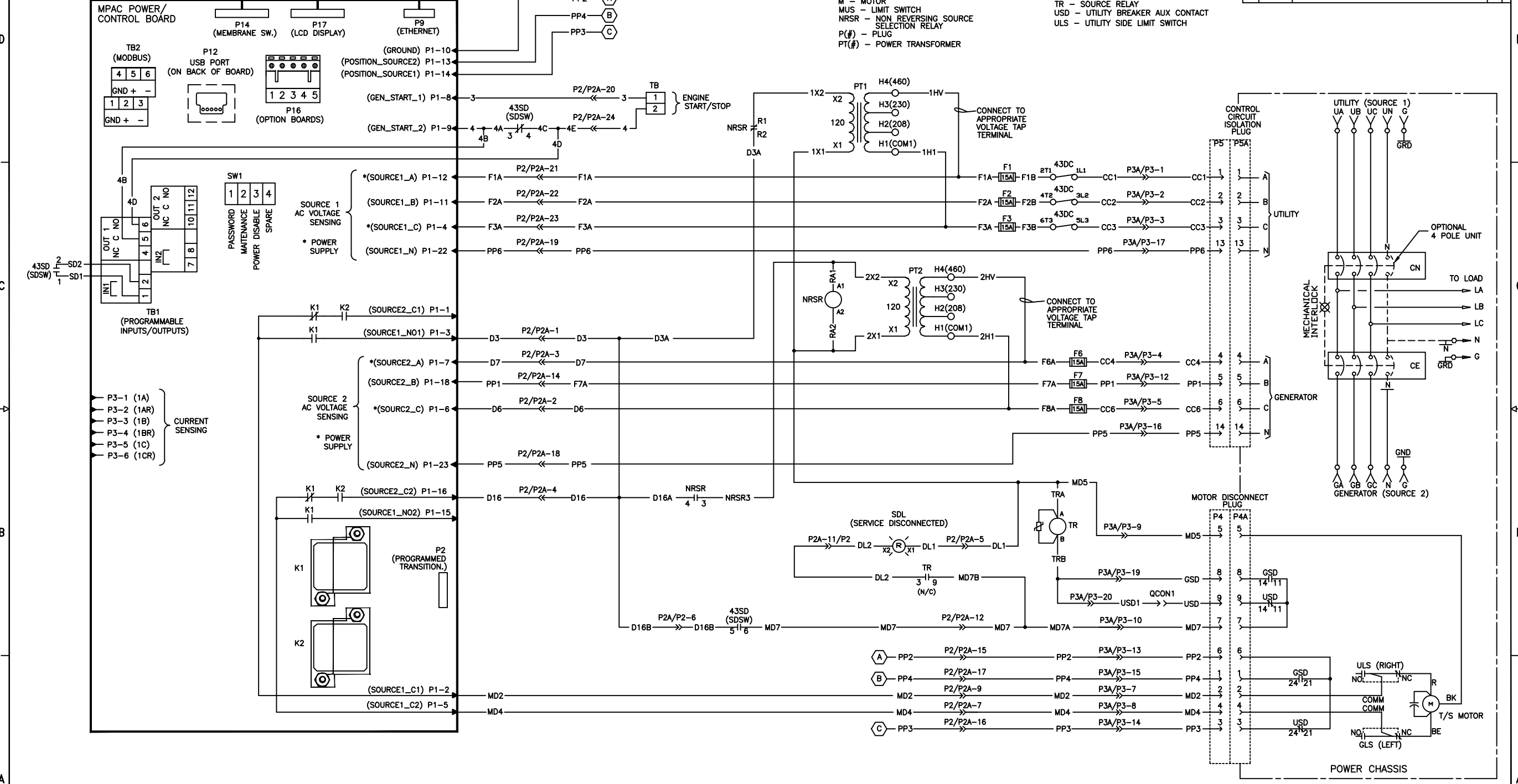


REV	DATE	REVISION	BY	CHK
-	10-28-15	NEW DRAWING [CT129471]	DFS	
A	2-9-16	(C-5) F7A WAS F5A; (C-3) F6A WAS F4A, F7A WAS F5A & F8A WAS F6A; [CT138782]		BTW

LEGEND

43SD - SERVICE DISCONNECT SWITCH
 43DC - CONTROL CIRCUIT DISCONNECT SWITCH
 F(#)- FUSE
 GSD - GENERATOR BREAKER AUX CONTACT
 GSL - GENERATOR SIDE LIMIT SWITCH
 L1 - SERVICE DISCONNECT LIGHT
 LCD - LIQUID CRYSTAL DISPLAY
 M - MOTOR
 MUS - LIMIT SWITCH
 NRSR - NON REVERSING SOURCE SELECTION RELAY
 P(#)- PLUG
 PT(#)- POWER TRANSFORMER

SW(#)- DIP SWITCH
 SDL - SERVICE DISCONNECT LIGHT
 TB(#)- TERMINAL BLOCK
 TB1 - MPAC PROGRAMMABLE INPUT/OUTPUT TERMINAL BLOCK
 TB2 - MPAC MODBUS TERMINAL BLOCK
 TS - TRANSFER SWITCH
 TR - SOURCE RELAY
 USD - UTILITY BREAKER AUX CONTACT
 ULS - UTILITY SIDE LIMIT SWITCH



RELAY/MUS	OPEN	>	AFTER TDC*	<	EMER
K1	X				
K2	X				
GLS-NC	X				
GSD 14-11	X				
USD 24-21	X				

RELAY/MUS	NORM	>	AFTER TDC*	<	OPEN
K1	X				
K2	X				
ULS-NC	X				
USD 14-11	X				
USD 24-21	X				

* TDC - TOP DEAD CENTER POSITION

NOTE: DIAGRAM SHOWN WITH "NORMAL" ENERGIZED AND MECHANISM IN THE NORMAL POSITION.

MODEL KEP
 100-1200A
 SERVICE DISCONNECT, MCCB
 TRANSFER TO OFF
 PROGRAMMED TRANSITION

FOR WIRING DIAGRAM SEE GM95677

UNLESS OTHERWISE SPECIFIED - 1) DIMENSIONS ARE IN INCHES 2) TOLERANCES UNLESS OTHERWISE SPECIFIED: .005 ± .000 SURFACE FINISH .01 ± .000 SURFACE FINISH .03 ± .000 SURFACE FINISH	KOHLER CO. POWER SYSTEMS, KOHLER, WI 53044, U.S.A. THIS DRAWING, IN DESIGN AND DETAIL, IS KOHLER CO. PROPERTY AND MUST NOT BE USED EXCEPT IN CONNECTION WITH KOHLER CO. WORK. ALL RIGHTS OF DESIGN OR INVENTION ARE RESERVED.
APPROVALS	DATE
DESIGN DFS	10-28-15
CHECKED HCC	10-28-15
APPROVED HCC	10-28-15

SCALE: 1" = 1'-0" SHEET: 1-1

TITLE: **DIAGRAM, SCHEMATIC**

DRAW. NO.: **GM95676**