

ENCLOSURE BACK PANEL

REV	DATE	REVISION	BY	CHK
-	10-28-15	NEW DRAWING [CT129471]	DFS	
A	2-9-16	SEE SHEET 2 [CT138762]	BTW	

P5 CONNECTIONS

- PIN #1 CC1 (P3-1)
- 2 CC2 (P3-2)
- 3 CC3 (P3-3)
- 4 CC4 (P3-4)
- 5 PP1 (P3-12)
- 6 CC6 (P3-5)
- 7 N/C .
- 8 N/C .
- 9 N/C .
- 10 N/C .
- 11 N/C .
- 12 N/C .
- 13 PP6 (P3-17)
- 14 PP5 (P3-16)
- 15 N/C .

P4 CONNECTIONS

- PIN #1 PP4 (P3-15)
- 2 MD2 (P3-7)
- 3 PP3 (P3-14)
- 4 MD4 (P3-8)
- 5 MD5 (P3-9)
- 6 PP2 (P3-13)
- 7 MD7 (P3-10)
- 8 GSD (P3-19)
- 9 USD (QCON1)

P4 CONNECTIONS

- PIN #1 PP4 (P3-15)
- 2 MD2 (P3-7)
- 3 PP3 (P3-14)
- 4 MD4 (P3-8)
- 5 MD5 (P3-9)
- 6 PP2 (P3-13)
- 7 MD7 (P3-10)
- 8 GSD (P3-19)
- 9 USD (QCON1)

P5 CONNECTIONS

- PIN #1 CC1 (P3-1)
- 2 CC2 (P3-2)
- 3 CC3 (P3-3)
- 4 CC4 (P3-4)
- 5 PP1 (P3-12)
- 6 CC6 (P3-5)
- 7 N/C .
- 8 N/C .
- 9 N/C .
- 10 N/C .
- 11 N/C .
- 12 N/C .
- 13 PP6 (P3-17)
- 14 PP5 (P3-16)
- 15 N/C .

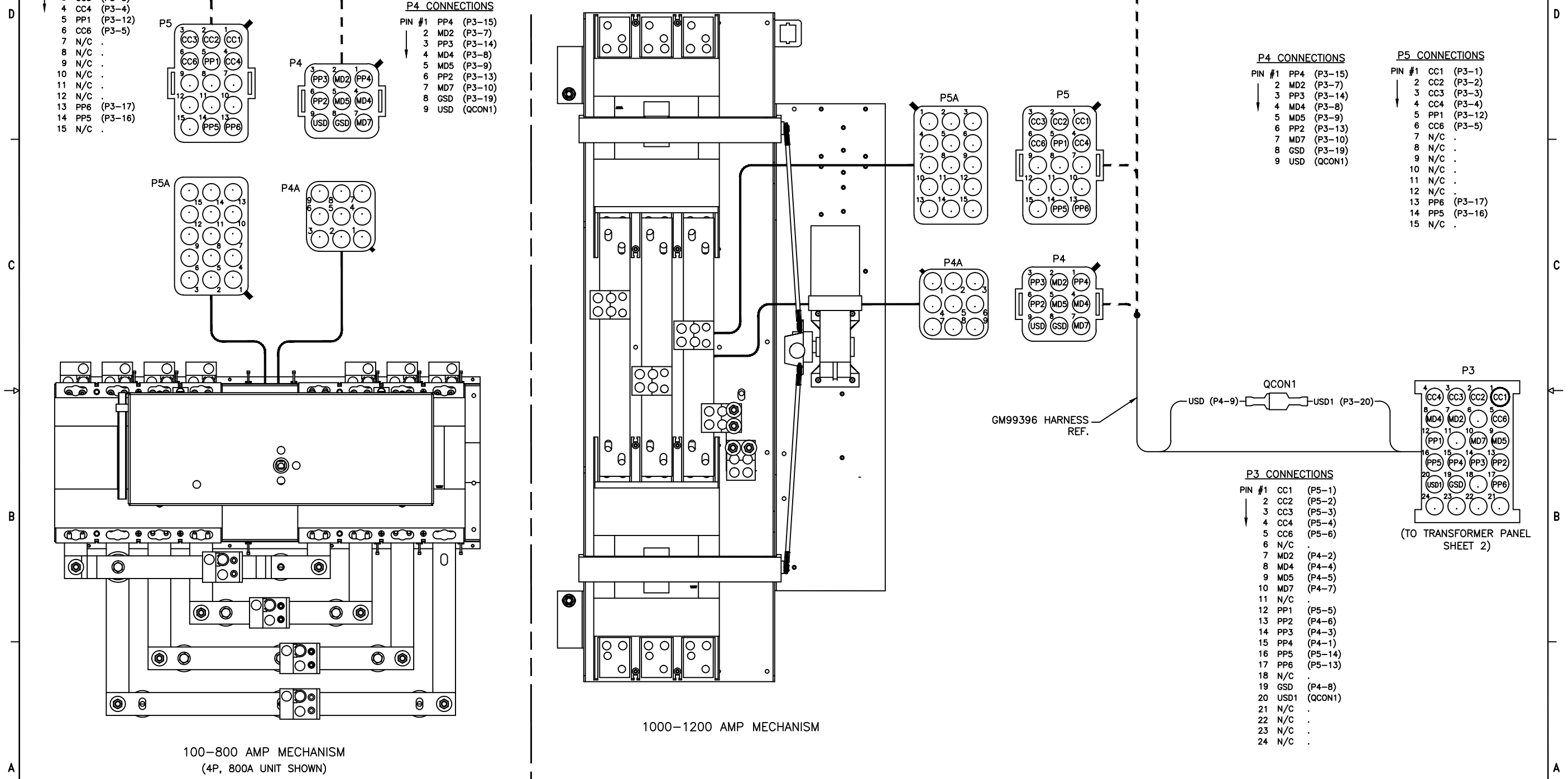
P3 CONNECTIONS

- PIN #1 CC1 (P5-1)
- 2 CC2 (P5-2)
- 3 CC3 (P5-3)
- 4 CC4 (P5-4)
- 5 CC6 (P5-6)
- 6 N/C .
- 7 MD2 (P4-2)
- 8 MD4 (P4-4)
- 9 MD5 (P4-5)
- 10 MD7 (P4-7)
- 11 N/C .
- 12 PP1 (P5-5)
- 13 PP2 (P4-6)
- 14 PP3 (P4-3)
- 15 PP4 (P4-1)
- 16 PP5 (P5-14)
- 17 PP6 (P5-13)
- 18 N/C .
- 19 GSD (P4-8)
- 20 USD1 (QCON1)
- 21 N/C .
- 22 N/C .
- 23 N/C .
- 24 N/C .

(TO TRANSFORMER PANEL SHEET 2)

FOR SCHEMATIC DIAGRAM SEE GM95676

UNLESS OTHERWISE SPECIFIED - 3) DIMENSIONS ARE IN INCHES TOLERANCES ARE: FRACTIONS ±		KOHLER CO. POWER SYSTEMS, KOHLER, WI 53044 U.S.A. THIS DRAWING IS DESIGN AND PATENT IS KOHLER CO. PROPERTY AND MAY NOT BE USED EXCEPT IN CONNECTION WITH KOHLER CO. WORK. ALL RIGHTS OF DESIGN OR INVENTION ARE RESERVED.	
MODEL KEP 100-1200A SERVICE DISCONNECT, MCCB TRANSFER TO OFF PROGRAMMED TRANSITION		DIAGRAM, WIRING	
APPROVALS	DATE	SCALE	SHEET 1-3
DESIGNED DFS	10-28-15	1/1	
CHECKED HCC	10-28-15		
APPROVED HCC	10-28-15		
DRAWN BY		REV. NO.	
		GM95677	



100-800 AMP MECHANISM  
(4P, 800A UNIT SHOWN)

1000-1200 AMP MECHANISM

GM99396 HARNESS REF.

QCON1

USD1 (P3-20)

P3

USD (P4-9)

P4

P4A

P4

P4A

P5

P5A

P4A

P4

P5A

P5

P4

P5

ENCLOSURE SIDE PANEL

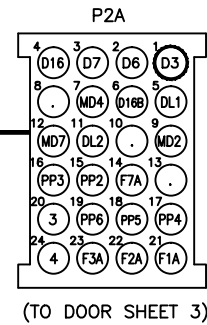
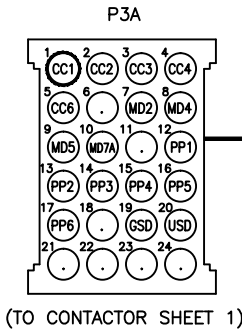
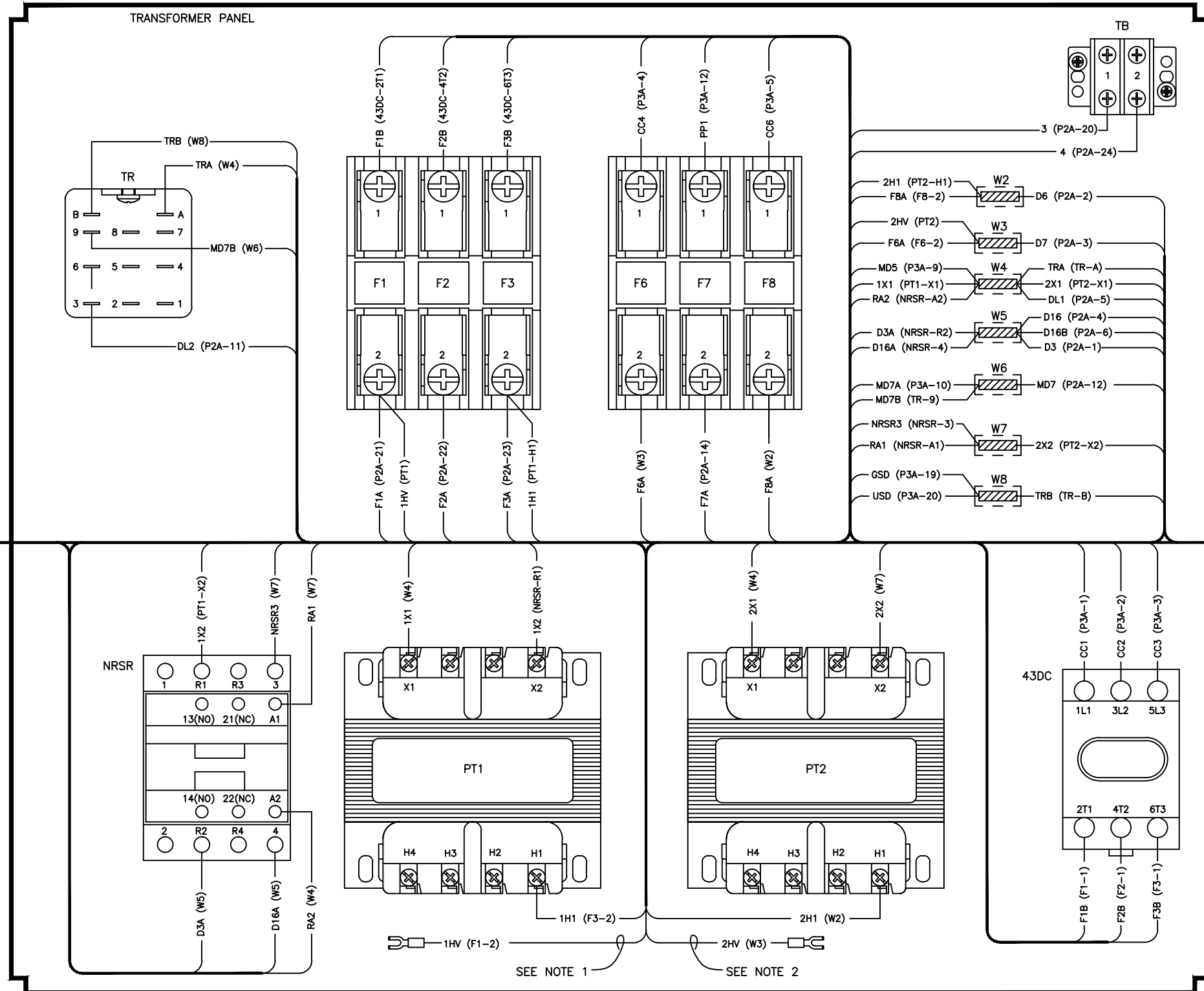
REV	DATE	REVISION	BY	CHK
-	10-28-15	NEW DRAWING [CT129471]	DFS	
A	2-9-16	(D-B) PIN# 4: (F8-1) WAS (F4-1), 5: (F8-1) WAS (F8-1) & 12: (F7-1) WAS (F5-1); (C-4-5) F6 WAS F4, F7 WAS F5 F8 WAS F6, F8A WAS F4A, F7A WAS F5A & F8A WAS F6A; (D-4) F8A (F8-2) WAS F8A (F8-2), F8A (F8-2) WAS F4A (F4-2); (C-1) PIN# 14: F7A (F7-2) WAS F5A (F5-2); (B-1) (B-1) F7A WAS F5A; [CT138762]	DFS	BTW

P3A CONNECTIONS

PIN #	CC1 (43DC-1L1)
2	CC2 (43DC-3L2)
3	CC3 (43DC-5L3)
4	CC4 (F6-1)
5	CC6 (F8-1)
6	N/C
7	MD2 (P2A-9)
8	MD4 (P2A-7)
9	MD5 (W4)
10	MD7A (W6)
11	N/C
12	PP1 (F7-1)
13	PP2 (P2A-15)
14	PP3 (P2A-16)
15	PP4 (P2A-17)
16	PP5 (P2A-18)
17	PP6 (P2A-19)
18	N/C
19	GSD (WB)
20	USD (WB)
21	N/C
22	N/C
23	N/C
24	N/C

P2A CONNECTIONS

PIN #	D3 (W5)
2	D6 (W2)
3	D7 (W3)
4	D16 (W5)
5	DL1 (W4)
6	D16B (W5)
7	MD4 (P3A-8)
8	N/C
9	MD2 (P3A-7)
10	N/C
11	DL2 (TR-3)
12	MD7 (W6)
13	N/C
14	F7A (F7-2)
15	PP2 (P3A-13)
16	PP3 (P3A-14)
17	PP4 (P3A-15)
18	PP5 (P3A-16)
19	PP6 (P3A-17)
20	3 (TB-1)
21	F1A (F1-2)
22	F2A (F2-2)
23	F3A (F3-2)
24	4 (TB-2)



**NOTE 1**  
 208V MODELS: CONNECT THE "1HV" LEAD TO THE H2 TERMINAL ON THE PT1 TRANSFORMER  
 220-240V MODELS: CONNECT THE "1HV" LEAD TO THE H3 TERMINAL ON THE PT1 TRANSFORMER  
 440-480V MODELS: CONNECT THE "1HV" LEAD TO THE H4 TERMINAL ON THE PT1 TRANSFORMER

**NOTE 2**  
 208V MODELS: CONNECT THE "2HV" LEAD TO THE H2 TERMINAL ON THE PT2 TRANSFORMER  
 220-240V MODELS: CONNECT THE "2HV" LEAD TO THE H3 TERMINAL ON THE PT2 TRANSFORMER  
 440-480V MODELS: CONNECT THE "2HV" LEAD TO THE H4 TERMINAL ON THE PT2 TRANSFORMER

FOR SCHEMATIC DIAGRAM SEE GM95676

MODEL KEP  
 100-1200A  
 SERVICE DISCONNECT, MCCB  
 TRANSFER TO OFF  
 PROGRAMMED TRANSITION

APPROVALS		DATE	SCALE	SHEET
DESIGNED	DFS	10-28-15	///	2-3
CHECKED	HCC	10-28-15		
APPROVED	HCC	10-28-15		

UNLESS OTHERWISE SPECIFIED -  
 1) DIMENSIONS ARE IN INCHES  
 2) TOLERANCES ARE:  
 .010 ± .005  
 .015 ± .005  
 .030 ± .005  
 SURFACE FINISH  
 125 ± .005  
 FRACTIONS ±

**KOHLER CO.**  
 POWER SYSTEMS, KOHLER, WI 53044 U.S.A.  
 THIS DRAWING IS DESIGN AND PATENT IS KOHLER CO. PROPERTY AND  
 MUST NOT BE USED EXCEPT IN CONNECTION WITH KOHLER CO. WORK.  
 ALL RIGHTS OF DESIGN OR INVENTION ARE RESERVED.

DIAGRAM, WIRING

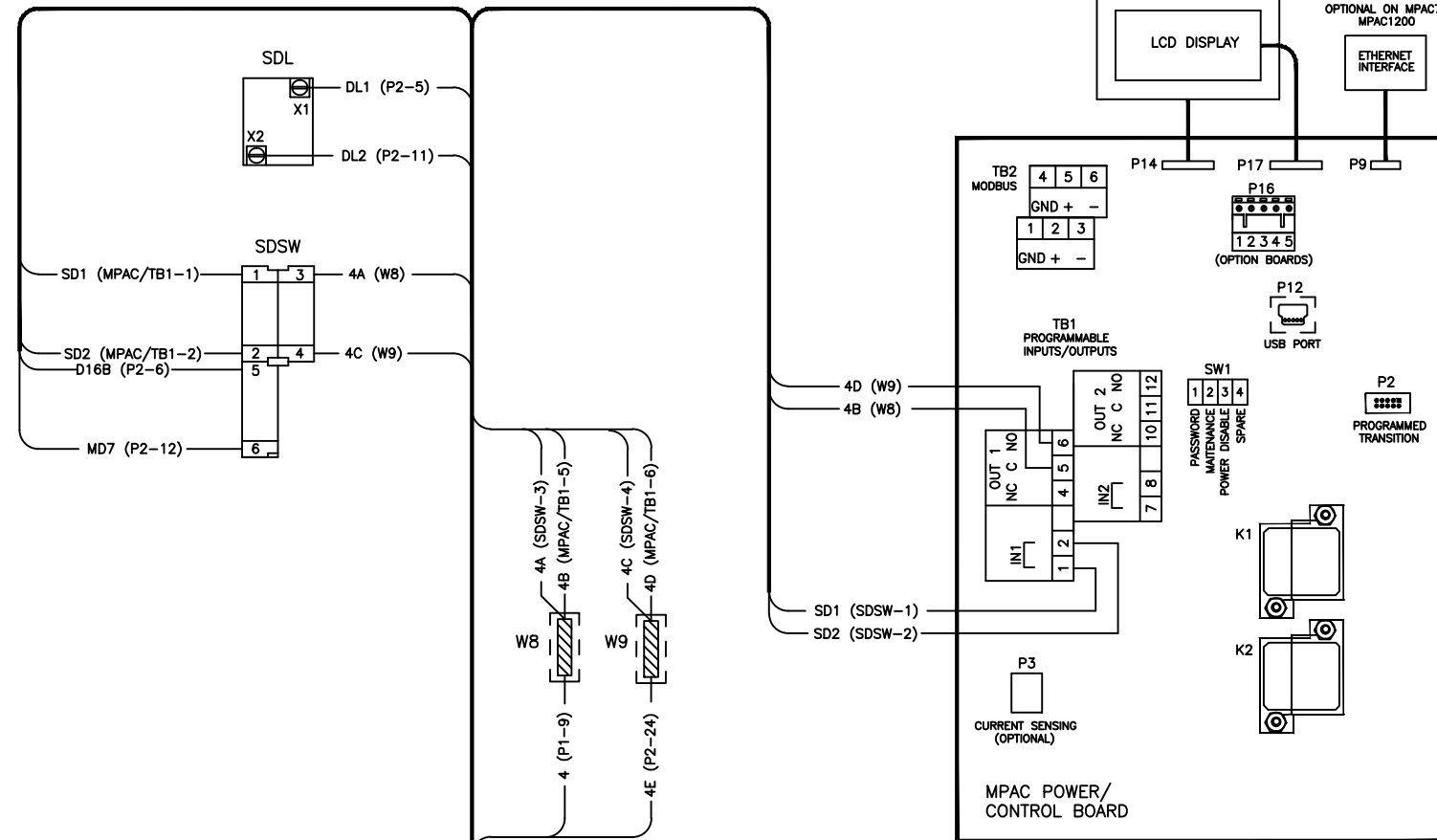
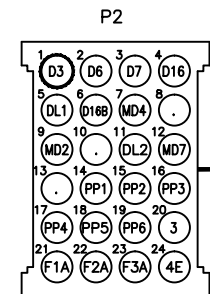
REV. NO. **GM95677**

ENCLOSURE DOOR (REAR VIEW)

REV	DATE	REVISION	BY	APP
-	10-28-15	NEW DRAWING [CT129471]	DFS	
A	2-9-16	SEE SHEET 2 [CT138762]	BTW	

P2 CONNECTIONS

- PIN #1 D3 (P1-3)
- 2 D6 (P1-6)
- 3 D7 (P1-7)
- 4 D16 (P1-16)
- 5 DL1 (SDL-X1)
- 6 D16B (SDSW-5)
- 7 MD4 (P1-5)
- 8 N/C
- 9 MD2 (P1-2)
- 10 N/C
- 11 DL2 (SDL-X2)
- 12 MD7 (SDSW-6)
- 13 N/C
- 14 PP1 (P1-18)
- 15 PP2 (P1-10)
- 16 PP3 (P1-14)
- 17 PP4 (P1-13)
- 18 PP5 (P1-23)
- 19 PP6 (P1-22)
- 20 3 (P1-8)
- 21 F1A (P1-12)
- 22 F2A (P1-11)
- 23 F3A (P1-4)
- 24 4E (W9)



P1 CONNECTIONS

- PIN #1 N/C
- 2 MD2 (P2-9)
- 3 D3 (P2-1)
- 4 F3A (P2-23)
- 5 MD4 (P2-7)
- 6 D6 (P2-2)
- 7 D7 (P2-3)
- 8 3 (P2-20)
- 9 4 (W8)
- 10 PP2 (P2-15)
- 11 F2A (P2-22)
- 12 F1A (P2-21)
- 13 PP4 (P2-17)
- 14 PP3 (P2-16)
- 15 N/C
- 16 D16 (P2-4)
- 17 N/C
- 18 PP1 (P2-14)
- 19 N/C
- 20 N/C
- 21 N/C
- 22 PP6 (P2-19)
- 23 PP5 (P2-18)
- 24 N/C

GM95688 HARNESS REF.

FOR SCHEMATIC DIAGRAM SEE GM95676

MODEL KEP  
100-1200A  
SERVICE DISCONNECT, MCCB  
TRANSFER TO OFF  
PROGRAMMED TRANSITION

<small>UNLESS OTHERWISE SPECIFIED - 3) DIMENSIONS ARE IN INCHES 2) TOLERANCES ARE: FRACTIONS ±</small>		<b>KOHLER CO.</b> <small>POWER SYSTEMS, KOHLER, WI 53044 U.S.A.                  THIS DRAWING, IN DESIGN AND DETAIL, IS KOHLER CO. PROPERTY AND                  MUST NOT BE USED EXCEPT IN CONNECTION WITH KOHLER CO. WORK.                  ALL RIGHTS OF DESIGN OR INVENTION ARE RESERVED.</small>	
APPROVALS: _____ DATE: _____ DESIGNED: DFS 10-28-15 CHECKED: HCC 10-28-15 APPROVED: HCC 10-28-15		TITLE: <b>DIAGRAM, WIRING</b> SCALE: <b>///</b> SHEET: <b>3-3</b> FILE NO.: <b>GM95677</b> DESIGNED BY: <b>D</b>	