

NOTE: DIMENSIONS IN [] ARE ENGLISH EQUIVALENTS.

REV	DATE	ON COMPOSITE DWGS. SEE PART NO. FOR REVISION LEVEL	BY
-	3-30-12	NEW DRAWING [CT11296]	GFR
A	27JAN2021	SEE SHEET 2 [CT209550]	AZE
B	13JUL2021	(B-6) OIL DRAIN [3/8 FEMALE NPT] NOTE REMOVED; SEE SHEET 2 [CT211964]	AZE

UNLESS OTHERWISE SPECIFIED -
 1) DIMENSIONS ARE IN MILLIMETERS
 2) TOLERANCES ARE:
 X.XX ± 0.25
 X.X ± 1.0
 X ± 1.5
 ANGLES ± 0° 30'

THIRD ANGLE PROJECTION

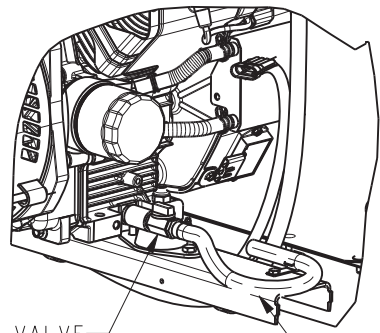
APPROVALS DATE
 DRAWN GFR 3-30-12
 CHECKED GFR 3-30-12
 APPROVED JJN 3-30-12

KOHLER CO. METRIC PRO-E
 POWER SYSTEMS, KOHLER, WI 53044 U.S.A.
 THIS DRAWING IN DESIGN AND DETAIL IS KOHLER CO. PROPERTY AND MUST NOT BE USED EXCEPT IN CONNECTION WITH KOHLER CO. WORK. ALL RIGHTS OF DESIGN OR INVENTION ARE RESERVED.

TITLE
DIMENSION PRINT, 6KW VSG

SCALE 0.15 CAD NO. SHEET 1 of 3
 DWG NO. **ADV-8060**

6VSG

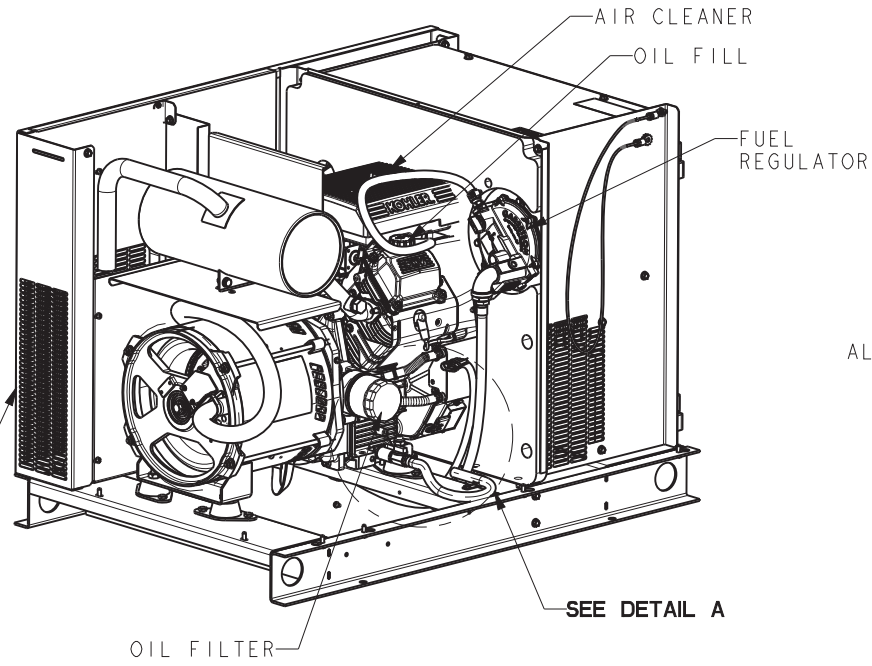


DETAIL A
SKID RAIL HIDDEN
FOR CLARITY
SCALE 0.25

OIL DRAIN VALVE

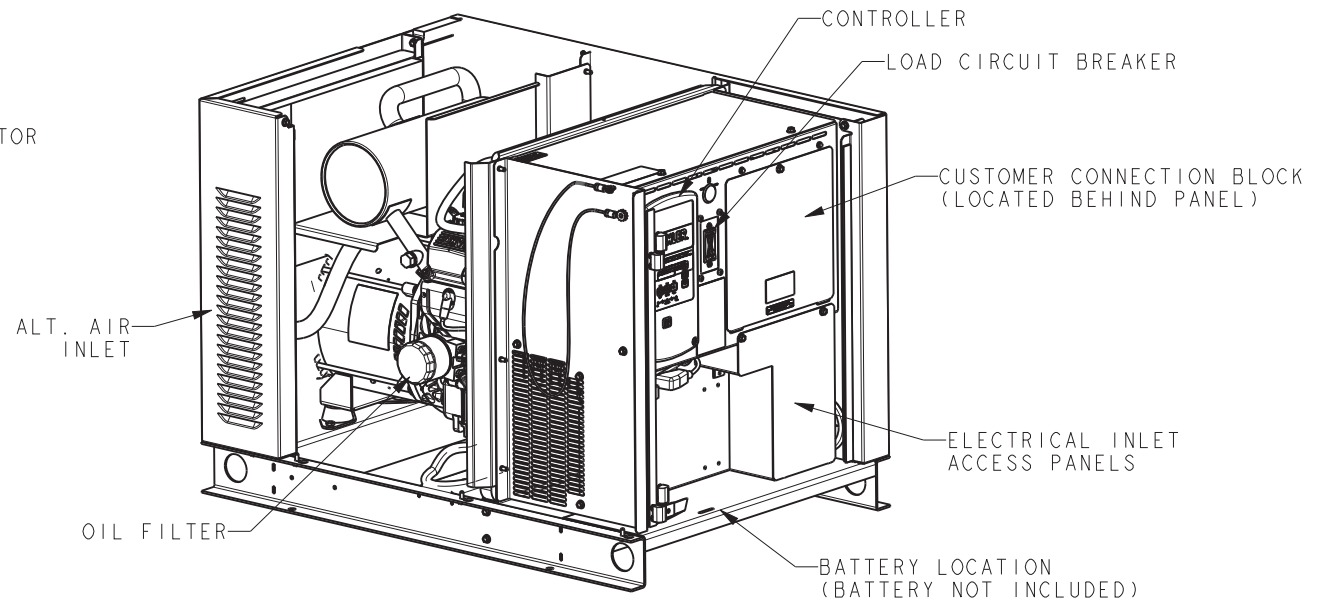
OIL DRAIN

EXHAUST AIR OUTLET



SEE DETAIL A

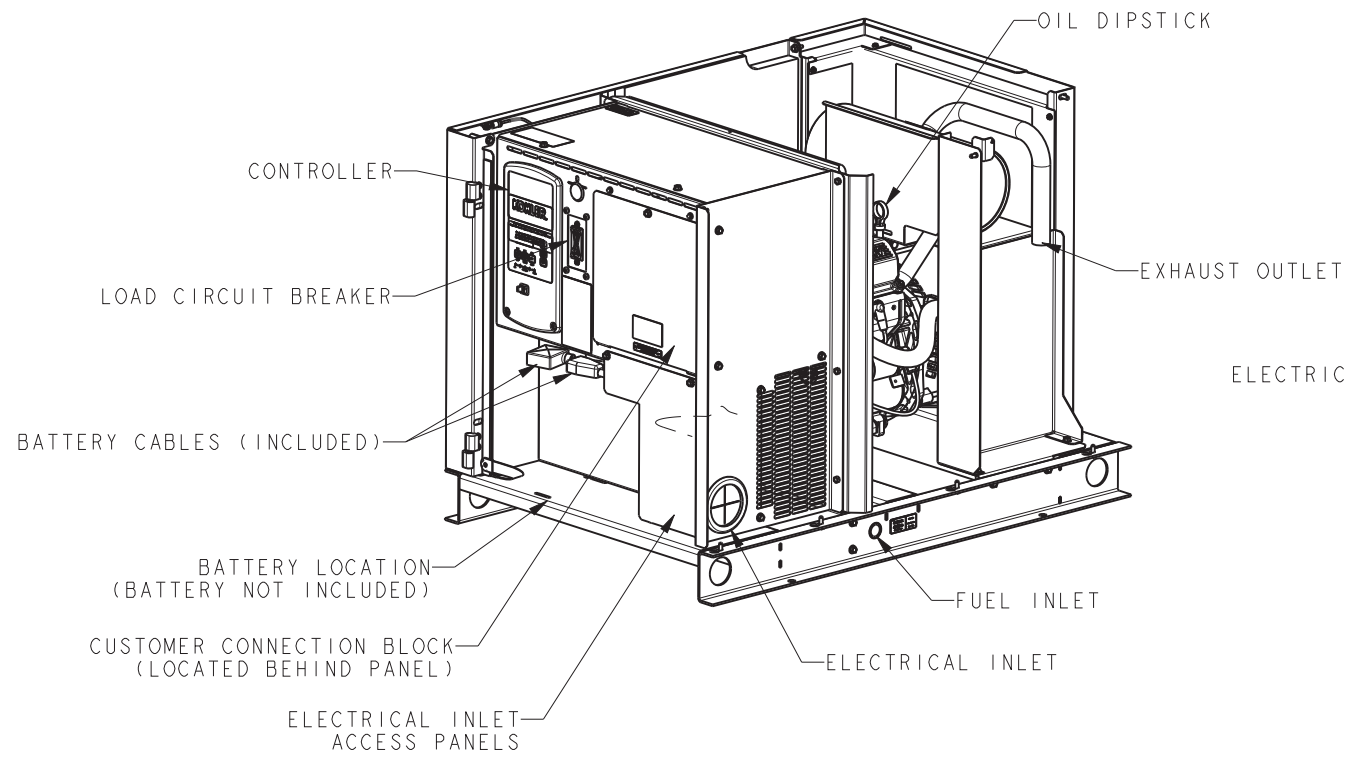
OIL FILTER



ALT. AIR INLET

OIL FILTER

BATTERY LOCATION
(BATTERY NOT INCLUDED)



OIL DIPSTICK

EXHAUST OUTLET

CONTROLLER

LOAD CIRCUIT BREAKER

BATTERY CABLES (INCLUDED)

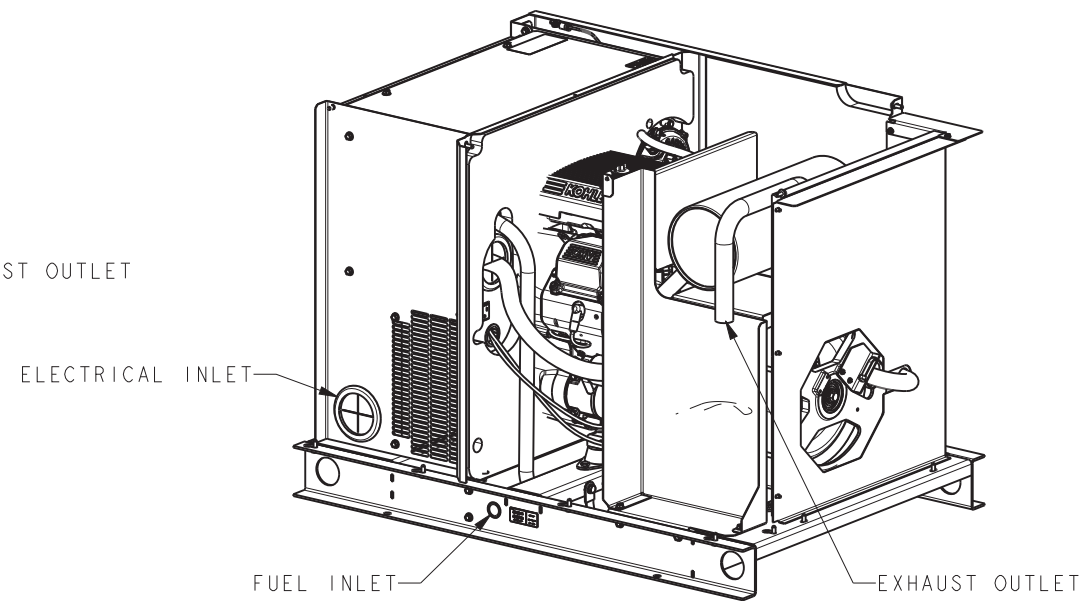
BATTERY LOCATION
(BATTERY NOT INCLUDED)

CUSTOMER CONNECTION BLOCK
(LOCATED BEHIND PANEL)

ELECTRICAL INLET
ACCESS PANELS

FUEL INLET

ELECTRICAL INLET



ELECTRICAL INLET

FUEL INLET

EXHAUST OUTLET

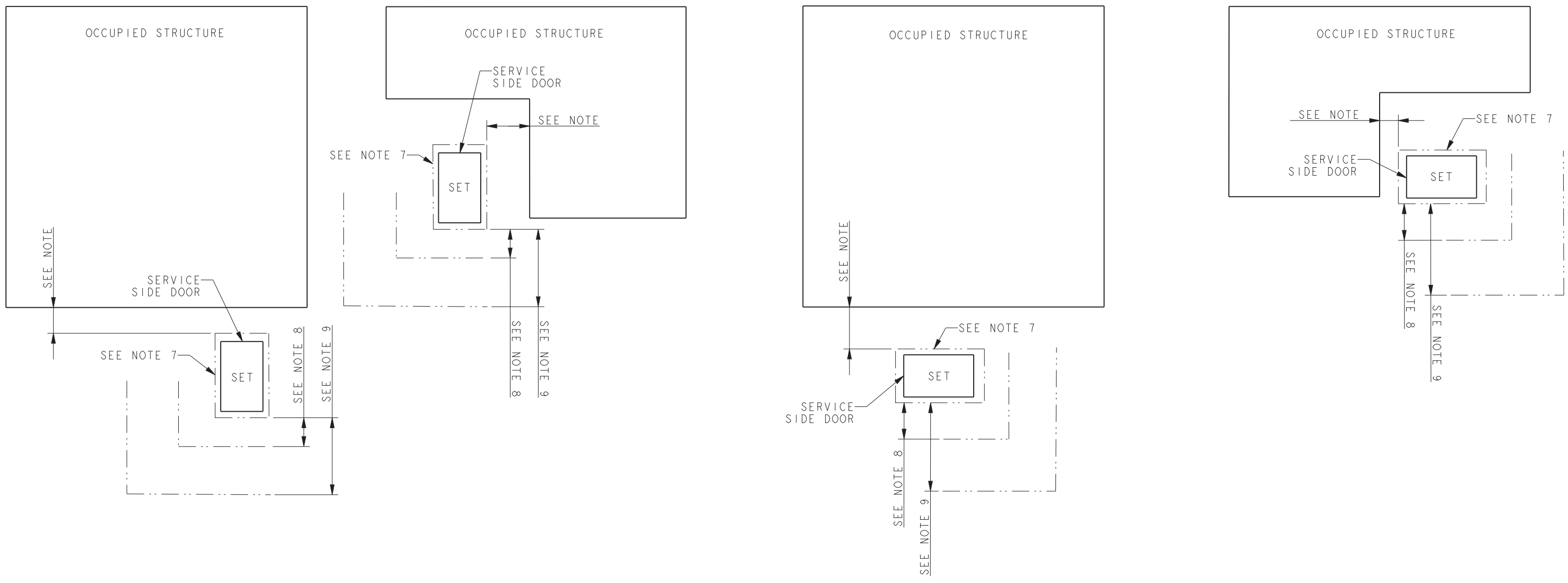
NOTE: DIMENSIONS IN [] ARE ENGLISH EQUIVALENTS.

NOTE: VIEWS SHOWN WITH ENCLOSURE PANEL REMOVED FOR CLARITY.

REV	DATE	ON COMPOSITE DWGS. SEE PART NO. FOR REVISION LEVEL	BY	UNLESS OTHERWISE SPECIFIED - 1) DIMENSIONS ARE IN MILLIMETERS 2) TOLERANCES ARE:
-	3-30-12	NEW DRAWING [CT11296]	GFR	X.XX ± 0.25 X.X ± 1.0 X ± 1.5
A	27JAN2021	(D-5) FUEL REGULATOR VIEW UPDATED [CT209550]	AZE	ANGLES ± 0° 30' MAX. SURFACE FINISH
B	13JUL2021	(C-4,6) OIL DRAN NOTE REMOVED; (D-8) DETAIL A ADDED; SEE SHEET 1 [CT211964]	AZE	THIRD ANGLE PROJECTION
				APPROVALS DATE
				DRAWN GFR 3-30-12
				CHECKED GFR 3-30-12
				APPROVED JJN 3-30-12

KOHLER CO. METRIC PRO-E	
POWER SYSTEMS, KOHLER, WI 53044 U.S.A.	
THIS DRAWING IN DESIGN AND DETAIL IS KOHLER CO. PROPERTY AND MUST NOT BE USED EXCEPT IN CONNECTION WITH KOHLER CO. WORK. ALL RIGHTS OF DESIGN OR INVENTION ARE RESERVED.	
TITLE DIMENSION PRINT, 6KW VSG	
SCALE 0.15	CAD NO.
DWG NO. ADV-8060	SHEET 2 of 3

6VSG



INSTALLATION GUIDELINES

- 1) EXHAUST IS AIMED AWAY FROM OR PARALLEL TO THE STRUCTURE.
- 2) EXHAUST IS NOT DIRECTED AT PLAY AREAS, PATIOS OR OTHER AREAS WHERE PEOPLE CONGREGATE.
- 3) THE NEAREST WINDOW, VENT, DOOR OR SIMILAR STRUCTURE OPENING IS AT LEAST 5 FEET FROM THE EXHAUST END OF THE SET.
- 4) SET HAS PROPER OFFSET FROM STRUCTURE.
- 5) WINDOWS & DOORS ON ADJACENT WALLS ARE CLOSED.
- 6) FURNACE AND OTHER SIMILAR INTAKES ARE AT LEAST 10 FEET FROM EXHAUST END OF SET.
- 7) 4" THICK CONCRETE PAD EXTENDING 6" BEYOND GENSET ON ALL SIDES.
- 8) WEED BARRIER & GRAVEL BED TO EXTEND 4 FT. FROM EXHAUST OUTLET. NO PLANTS, SHRUBS OR OTHER COMBUSTIBLES ALLOWED IN GRAVEL AREA.
- 9) SENSITIVE PLANTS, PATIO FURNITURE, ETC. ARE AT LEAST 8 FEET FROM EXHAUST END OF SET.
- 10) REFER TO OWNERS MANUAL FOR OTHER INSTALLATION CONSTRAINTS.

NOTE:
 THE RECOMMENDED DISTANCE FROM A STRUCTURE IS DEPENDENT ON STATE AND LOCAL CODES. NFPA 37, STANDARDS FOR THE INSTALLATION AND USE OF STATIONARY COMBUSTION ENGINES AND GAS TURBINES, STATES THIS DISTANCE SHOULD BE AT LEAST 5 FEET FROM A COMBUSTIBLE MATERIAL. FOR INSTALLATIONS NEAR NON-COMBUSTIBLE MATERIAL BE SURE TO LEAVE A MINIMUM DISTANCE OF 3 FEET TO ENSURE PROPER GENERATOR COOLING.

NOTE: DIMENSIONS IN [] ARE ENGLISH EQUIVALENTS.

6VSG

REV	DATE	ON COMPOSITE DWGS. SEE PART NO. FOR REVISION LEVEL	BY	UNLESS OTHERWISE SPECIFIED - 1) DIMENSIONS ARE IN MILLIMETERS 2) TOLERANCES ARE:	TITLE
-	3-30-12	NEW DRAWING [CT11296]	GFR	X.XX ± 0.25	KOHLER CO. METRIC PRO-E POWER SYSTEMS, KOHLER, WI 53044 U.S.A. THIS DRAWING IN DESIGN AND DETAIL IS KOHLER CO. PROPERTY AND MUST NOT BE USED EXCEPT IN CONNECTION WITH KOHLER CO. WORK. ALL RIGHTS OF DESIGN OR INVENTION ARE RESERVED. DIMENSION PRINT, 6KW VSG SCALE 0.15 CAD NO. SHEET 3 of 3 DWG NO. ADV-8060
A	27JAN2021	SEE SHEET 2 [CT209550]	AZE	X.X ± 1.0	
B	13JUL2021	SEE SHEET 1 & 2 [CT211964]	AZE	X ± 1.5	
				ANGLES ± 0° 30' MAX.	
				THIRD ANGLE PROJECTION	
		APPROVALS	DATE		
		DRAWN	GFR	3-30-12	
		CHECKED	GFR	3-30-12	
		APPROVED	JJN	3-30-12	