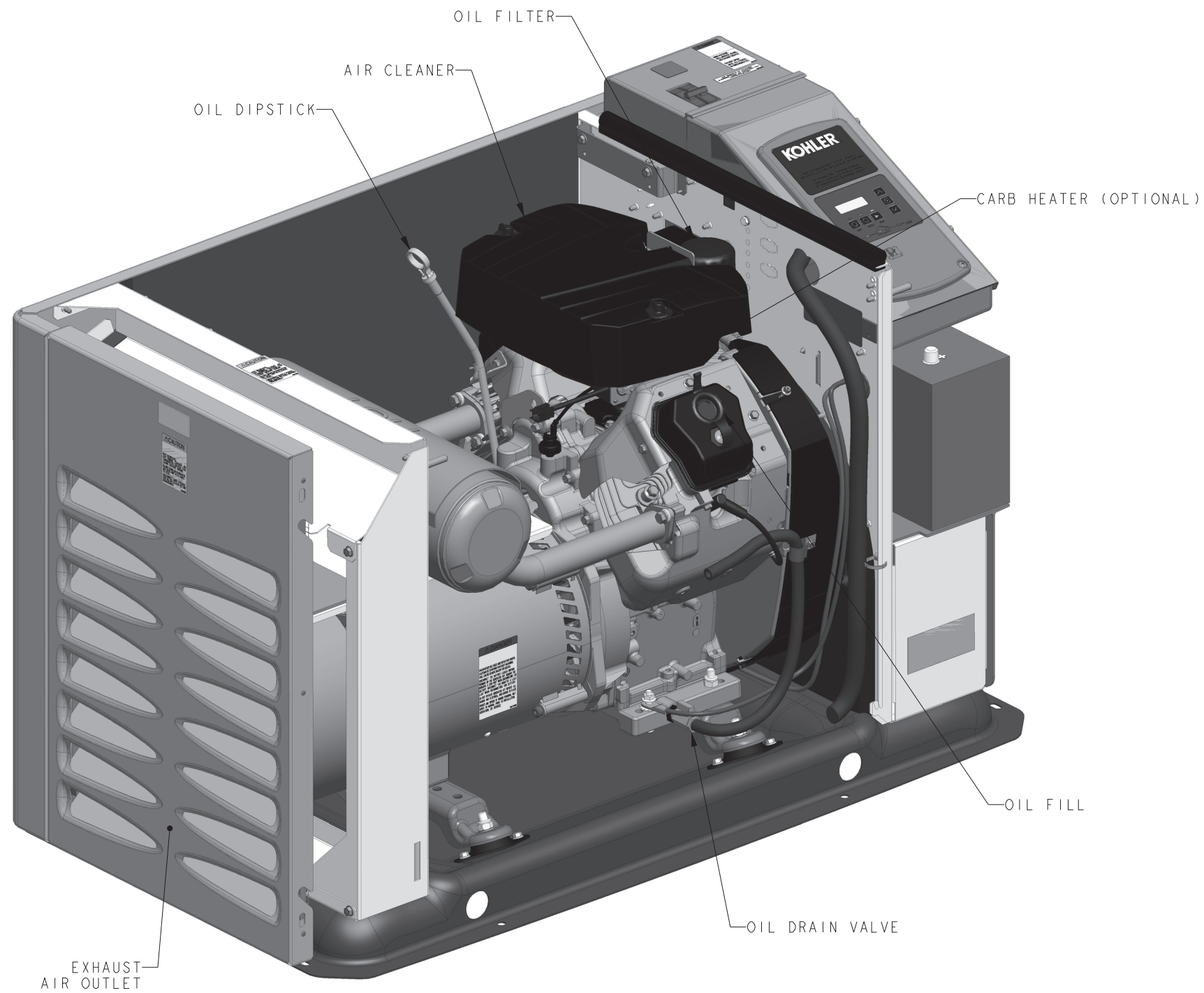


NOTE: DIMENSIONS IN [ ] ARE INCH EQUIVALENTS.

REV	DATE	ON COMPOSITE DWGS, SEE PART NO. FOR REVISION LEVEL	BY	DO NOT SCALE, REFERENCE THE MODEL FOR ALL UNSPECIFIED DIMENSIONS
-	9-23-17	NEW DRAWING [CT179368]	ADP	UNLESS OTHERWISE SPECIFIED: ALL DIMENSIONS IN MILLIMETERS GENERAL TOLERANCES: N/A <b>KOHLER</b> KOHLER, WISCONSIN 53044 THIS DRAWING IN DESIGN AND DETAIL IS KOHLER CO. PROPERTY AND MUST NOT BE USED EXCEPT IN CONNECTION WITH KOHLER CO. WORK. ALL RIGHTS OF DESIGN OR INVENTION ARE RESERVED. TITLE <b>DIMENSION PRINT, 14/20KW RCA</b> SCALE 0.16   CAD NO.   SHEET 1 of 5 DWG NO. <b>ADV-8928</b>
A	12-15-17	SEE SHEET 3 OF 5 [CT182535]	KRM	
B	5-24-18	SEE SHEET 4 & 5 [CT187735]	ADP	
C	19JUN2019	SEE SHEET 4 [PR08238]	AWK	
THIRD ANGLE PROJECTION 				
APPROVALS		DATE		
DRAWN ADP		9-23-17		
CHECKED VPP		9-23-17		
APPROVED BJJ		9-23-17		

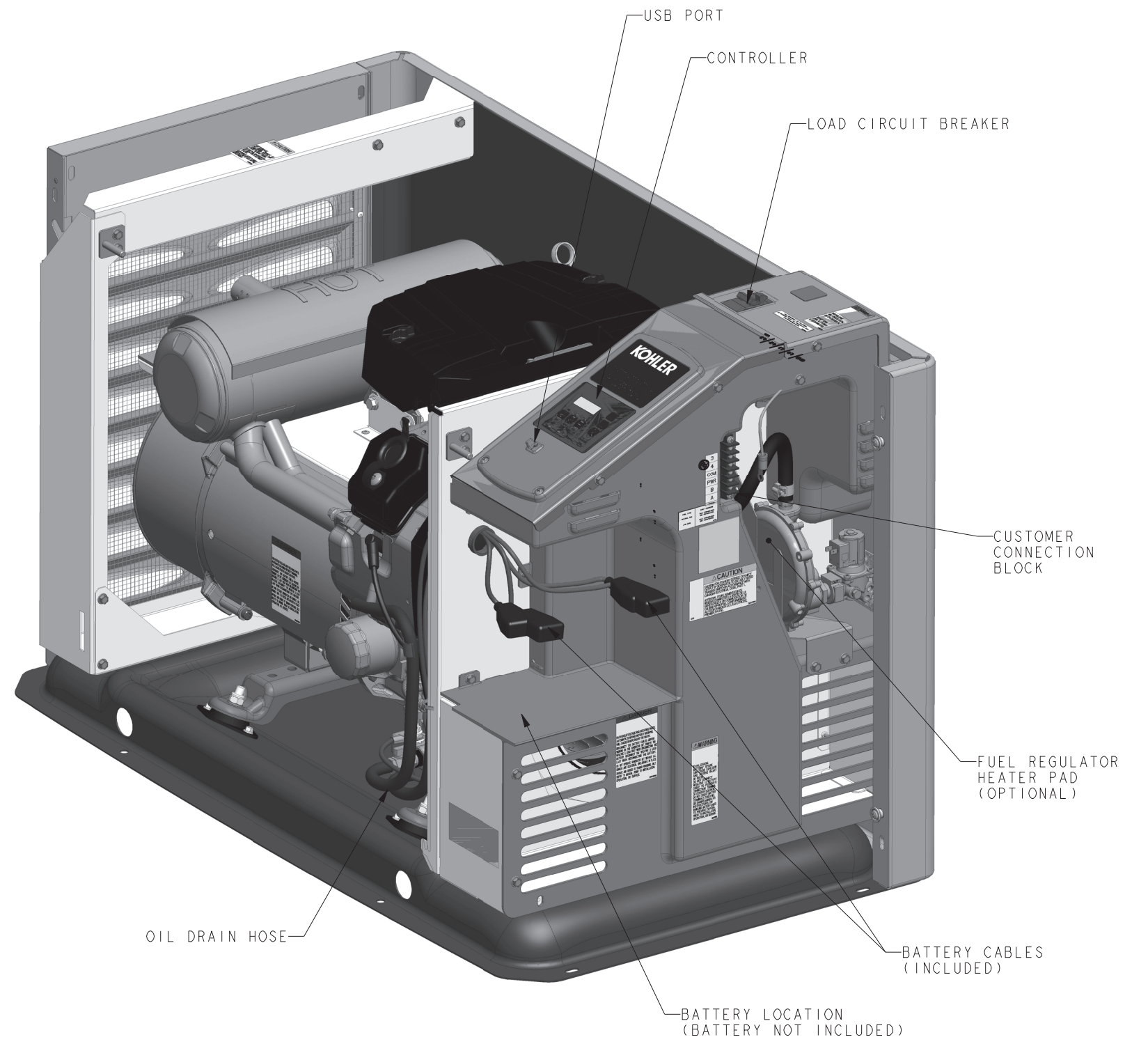
14/20RCA



REV	DATE	ON COMPOSITE DWGS, SEE PART NO. FOR REVISION LEVEL	BY	DO NOT SCALE, REFERENCE THE MODEL FOR ALL UNSPECIFIED DIMENSIONS								
-	9-23-17	NEW DRAWING [CT179368]	ADP	<small>UNLESS OTHERWISE SPECIFIED: ALL DIMENSIONS IN MILLIMETERS GENERAL TOLERANCES: N/A</small> <b>KOHLER.</b> <small>KOHLER, WISCONSIN 53044</small> THIS DRAWING IN DESIGN AND DETAIL IS KOHLER CO. PROPERTY AND MUST NOT BE USED EXCEPT IN CONNECTION WITH KOHLER CO. WORK. ALL RIGHTS OF DESIGN OR INVENTION ARE RESERVED.								
A	12-15-17	SEE SHEET 3 OF 5 [CT182535]	KRM									
B	5-24-18	SEE SHEET 4 & 5 [CT187735]	ADP									
C	19JUN2019	SEE SHEET 4 [PR08238]	AWK									
				<small>THIRD ANGLE PROJECTION</small> 								
			<table border="1"> <thead> <tr> <th>APPROVALS</th> <th>DATE</th> </tr> </thead> <tbody> <tr> <td>ADP</td> <td>9-23-17</td> </tr> <tr> <td>VPP</td> <td>9-23-17</td> </tr> <tr> <td>BJF</td> <td>9-23-17</td> </tr> </tbody> </table>	APPROVALS	DATE	ADP	9-23-17	VPP	9-23-17	BJF	9-23-17	<b>TITLE</b> <b>DIMENSION PRINT, 14/20KW RCA</b>
APPROVALS	DATE											
ADP	9-23-17											
VPP	9-23-17											
BJF	9-23-17											
			<table border="1"> <thead> <tr> <th>SCALE</th> <th>CAD NO.</th> <th>SHEET</th> <th>OF</th> </tr> </thead> <tbody> <tr> <td>0.16</td> <td></td> <td>2</td> <td>5</td> </tr> </tbody> </table>	SCALE	CAD NO.	SHEET	OF	0.16		2	5	<b>DWG NO.</b> <b>ADV-8928</b>
SCALE	CAD NO.	SHEET	OF									
0.16		2	5									

14/20RCA

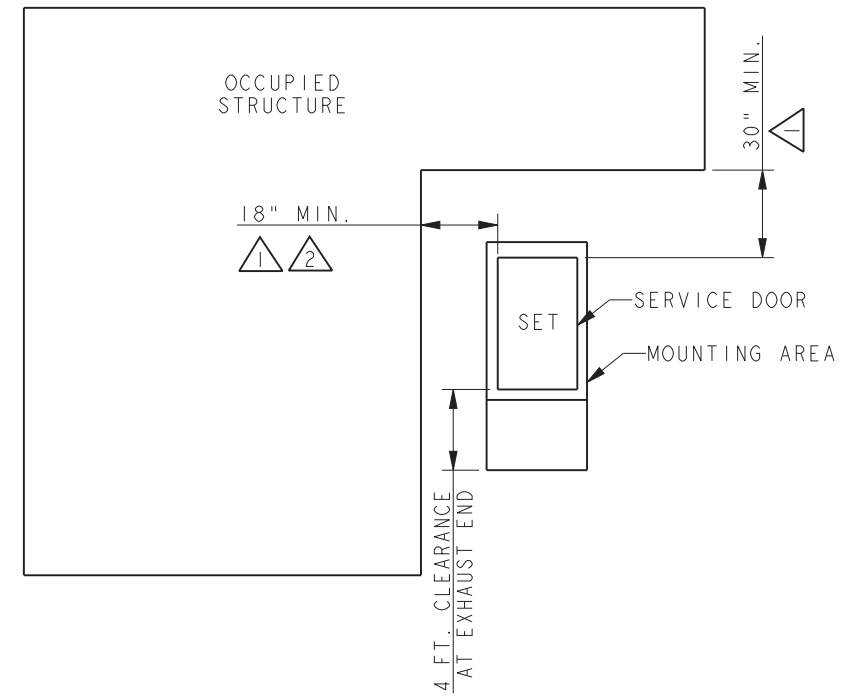
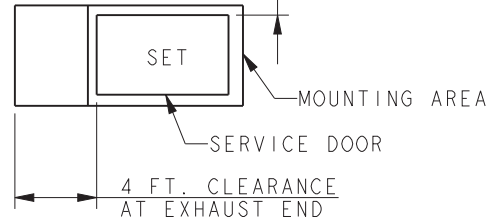
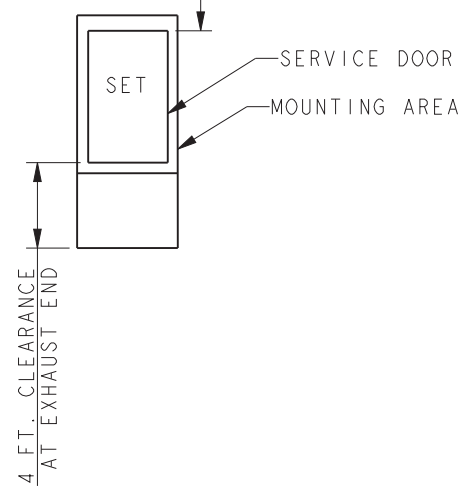
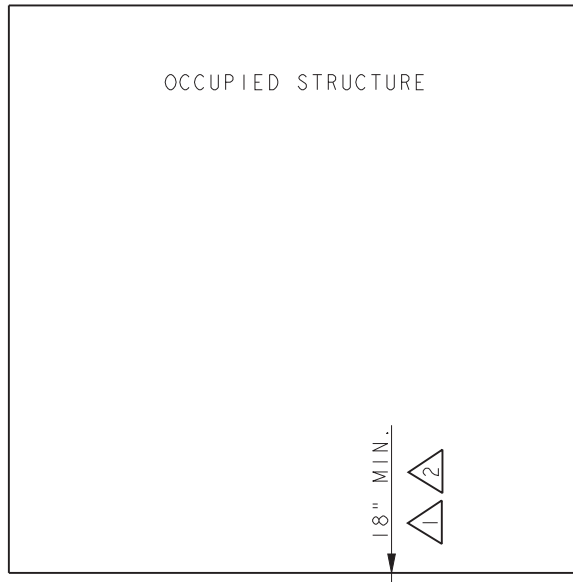
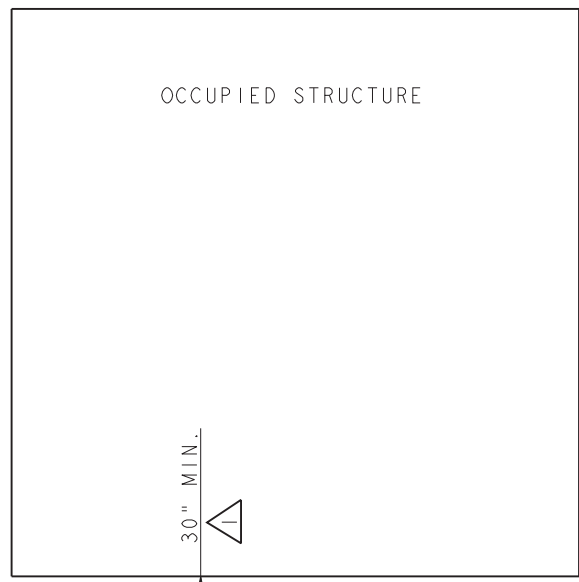
D



REV	DATE	ON COMPOSITE DWGS. SEE PART NO. FOR REVISION LEVEL	BY	DO NOT SCALE. REFERENCE THE MODEL FOR ALL UNSPECIFIED DIMENSIONS
-	9-23-17	NEW DRAWING [CT179368]	ADP	UNLESS OTHERWISE SPECIFIED: ALL DIMENSIONS IN MILLIMETERS GENERAL TOLERANCES: N/A <b>KOHLER.</b> KOHLER, WISCONSIN 53044 THIS DRAWING IN DESIGN AND DETAIL IS KOHLER CO. PROPERTY AND MUST NOT BE USED EXCEPT IN CONNECTION WITH KOHLER CO. WORK. ALL RIGHTS OF DESIGN OR INVENTION ARE RESERVED. TITLE <b>DIMENSION PRINT, 14/20KW RCA</b> SCALE 0.30 CAD NO. SHEET 3 of 5 DWG NO. <b>ADV-8928</b>
A	12-15-17	UPDATED FUEL REGULATOR GEOMETRY [CT182353]	KRM	
B	5-24-18	SEE SHEET 4 & 5 [CT187735]	ADP	
C	19JUN2019	SEE SHEET 4 [PR08238]	AWK	
				THIRD ANGLE PROJECTION 
		APPROVALS	DATE	
		DRAWN	ADP	9-23-17
		CHECKED	VPP	9-23-17
		APPROVED	BJF	9-23-17

14/20RCA

D



**NOTE:**

△1 THE RECOMMENDED DISTANCE FROM A STRUCTURE IS DEPENDENT ON STATE AND LOCAL CODES. PRODUCT HAS BEEN DEMONSTRATED IN ACCORDANCE WITH NFPA 37 SECTION 4.1.4.2 BY A THIRD PARTY TEST FACILITY TO THE DIMENSIONS SHOWN.

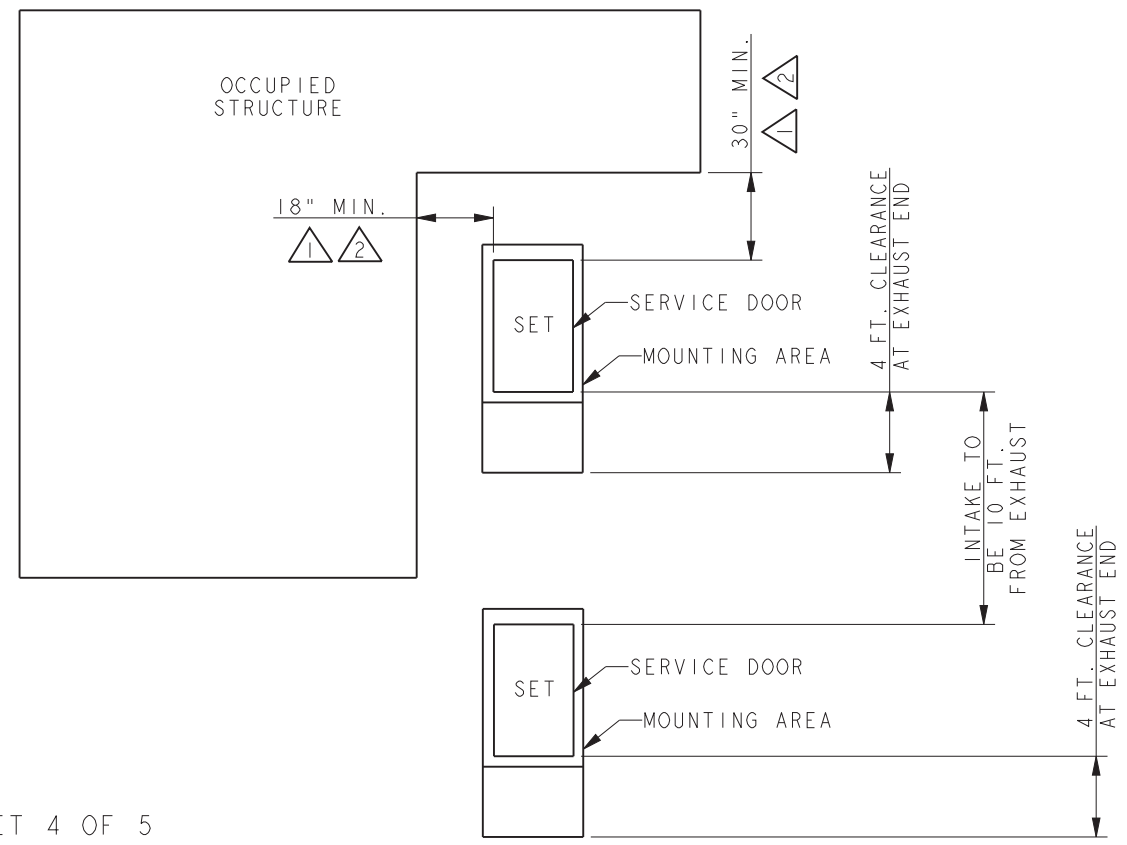
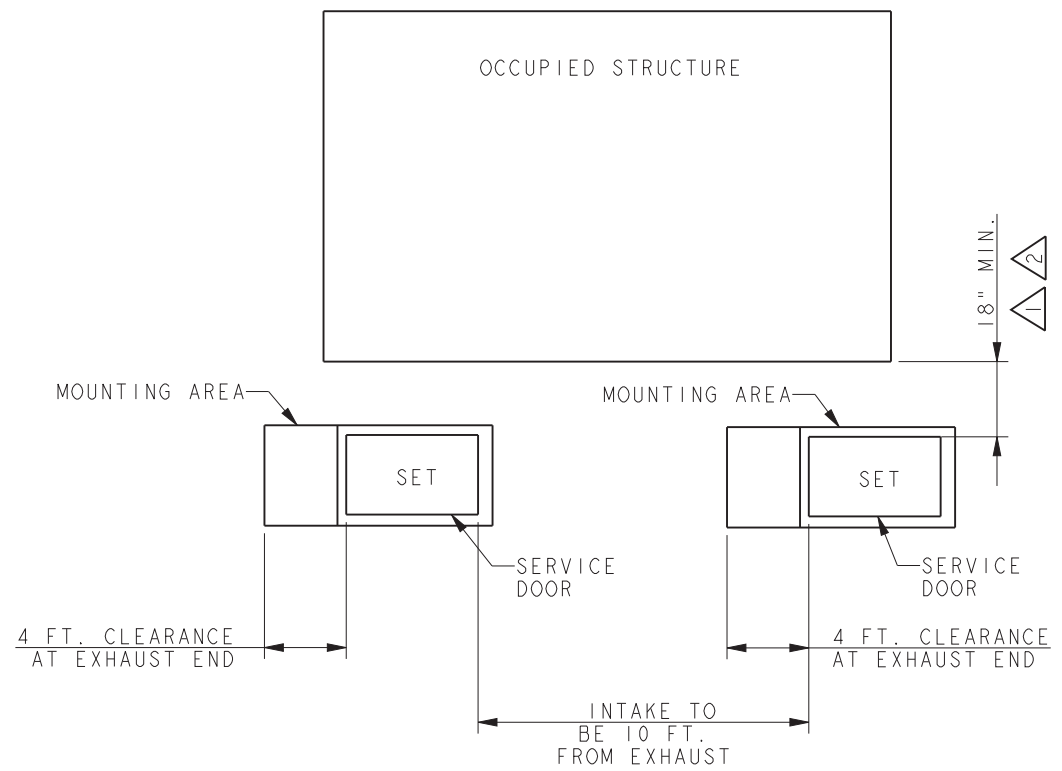
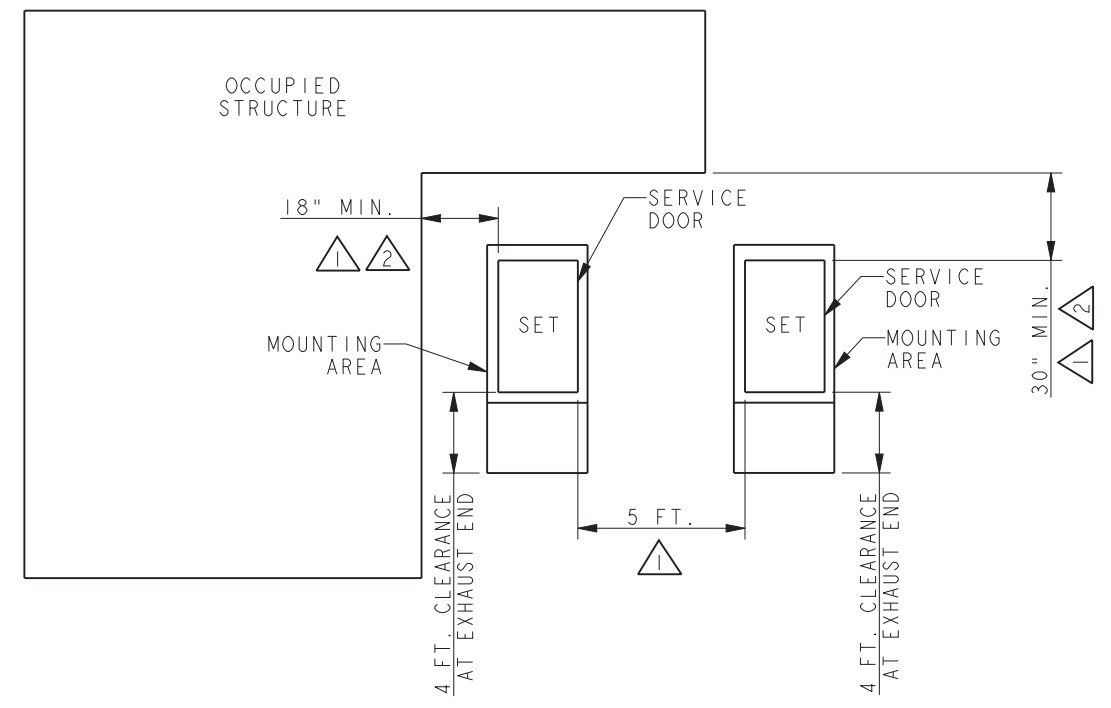
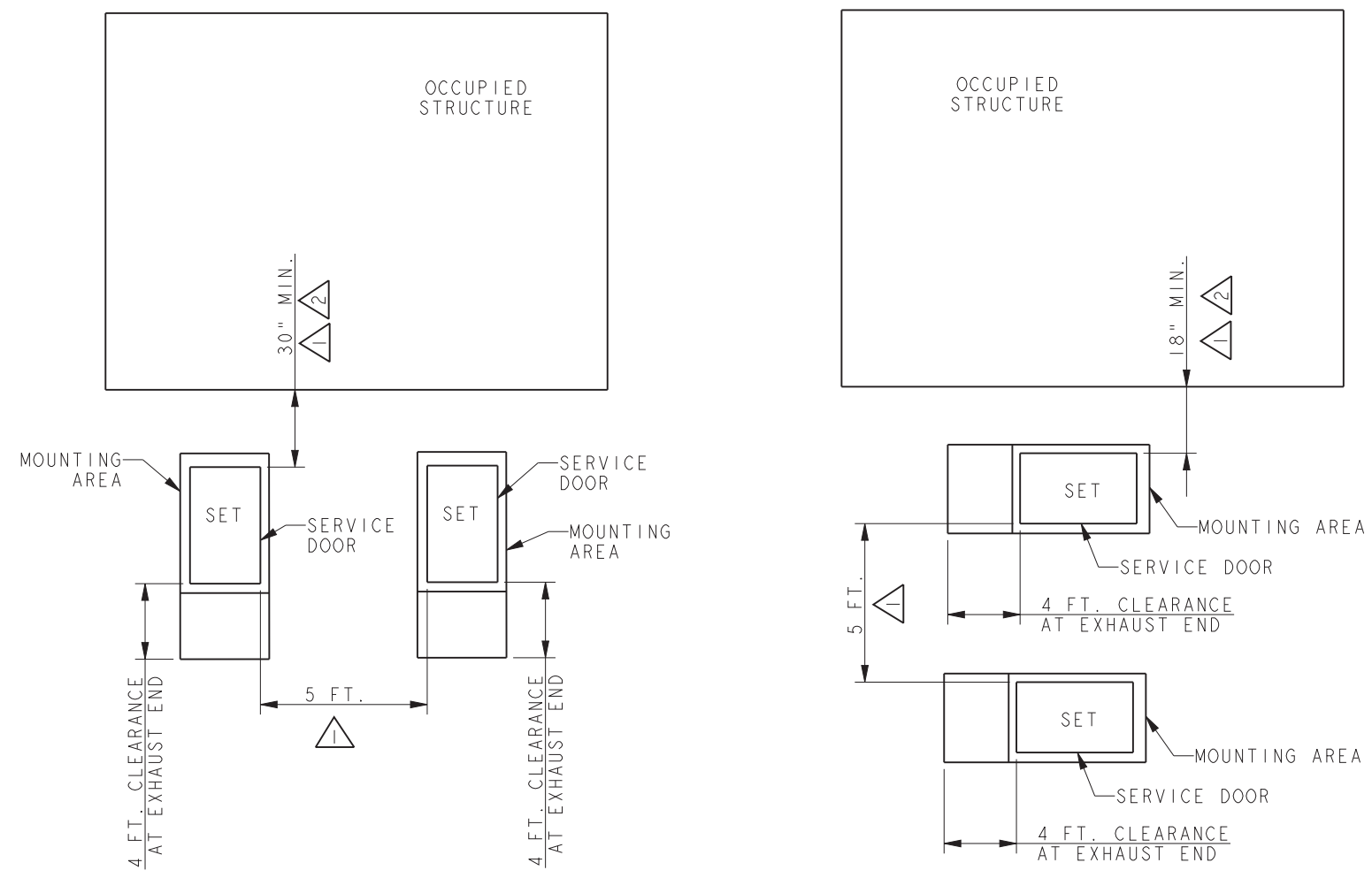
△2 FOR INSTALLATIONS NEAR NON-COMBUSTIBLE OR 1-HOUR FIRE RATED STRUCTURE, A MINIMUM DISTANCE OF 18" IS REQUIRED TO ENSURE PROPER GENERATOR COOLING.

**ACCEPTABLE**

- 1) EXHAUST IS AIMED AWAY OR PARALLEL TO STRUCTURE.
- 2) EXHAUST IS NOT DIRECTED AT PLAY AREAS, PATIOS OR OTHER AREAS WHERE PEOPLE CONGREGATE.
- 3) THE NEAREST WINDOW, VENT, DOOR OR SIMILAR STRUCTURE OPENING IS AT LEAST 5 FEET FROM THE EXHAUST END OF THE SET.
- 4) SET HAS PROPER OFFSET FROM STRUCTURE.
- 5) WINDOWS & DOORS ON ADJACENT WALLS ARE CLOSED.
- 6) FURNACE AND OTHER SIMILAR INTAKES ARE AT LEAST 10 FEET FROM EXHAUST END OF SET.
- 7) WEED BARRIER AND 3 INCH THICK GRAVEL BASE OR CONCRETE PAD LOCATED TO PREVENT GRASS & WEEDS FROM GROWING TOO CLOSE TO THE SET.
- 8) NO PLANTS, SHRUBS OR OTHER COMBUSTIBLES ALLOWED IN CLEARANCE AREA. (MINIMUM 4 FT. FROM EXHAUST END).
- 9) REFER TO OWNERS MANUAL FOR OTHER INSTALLATION CONSTRAINTS.
- 10) NO PLANTS, SHRUBS, OR OTHER COMBUSTIBLES ALLOWED WITHIN 30" OF AIR INTAKE.

**14/20RCA  
SINGLE UNIT  
CONFIGURATION**

REV	DATE	ON COMPOSITE DWGS. SEE PART NO. FOR REVISION LEVEL	BY	DO NOT SCALE. REFERENCE THE MODEL FOR ALL UNSPECIFIED DIMENSIONS
-	9-23-17	NEW DRAWING [CTI79368]	ADP	UNLESS OTHERWISE SPECIFIED: ALL DIMENSIONS IN MILLIMETERS GENERAL TOLERANCES: N/A
A	12-15-17	SEE SHEET 3 OF 5 [CTI82535]	KRM	
B	5-24-18	(A-5,C-7) 30" MIN WAS 18" MIN; (C-3) NOTE UPDATED [CTI87735]	ADP	THIRD ANGLE PROJECTION 
C	19JUN2019	(B-3) 30" WAS 18"; (C-7 & B-5) △ REMOVED FROM 30" MIN. DIMENSIONS [PR08238]	AWK	
APPROVALS		DATE		<b>KOHLER</b> KOHLER, WISCONSIN 53044 THIS DRAWING IN DESIGN AND DETAIL IS KOHLER CO. PROPERTY AND MUST NOT BE USED EXCEPT IN CONNECTION WITH KOHLER CO. WORK. ALL RIGHTS OF DESIGN OR INVENTION ARE RESERVED. TITLE <b>DIMENSION PRINT, 14/20KW RCA</b> SCALE 0.16   CAD NO.   SHEET 4 of 5 DWG NO. <b>ADV-8928</b>   <b>D</b>
DRAWN		ADP 9-23-17		
CHECKED		VPP 9-23-17		
APPROVED		BJF 9-23-17		



NOTE:  
APPLY NOTES ON SHEET 4 OF 5  
TO SHEET 5 OF 5.

14/20RCA  
PARALLEL UNIT  
CONFIGURATION

REV	DATE	ON COMPOSITE DWGS. SEE PART NO. FOR REVISION LEVEL	BY	DO NOT SCALE. REFERENCE THE MODEL FOR ALL UNSPECIFIED DIMENSIONS
-	9-23-17	NEW DRAWING [CT179368]	ADP	UNLESS OTHERWISE SPECIFIED: ALL DIMENSIONS IN MILLIMETERS GENERAL TOLERANCES: N/A
A	12-15-17	SEE SHEET 3 OF 5 [CT182535]	KRM	<b>KOHLER</b> KOHLER, WISCONSIN 53044 THIS DRAWING IN DESIGN AND DETAIL IS KOHLER CO. PROPERTY AND MUST NOT BE USED EXCEPT IN CONNECTION WITH KOHLER CO. WORK. ALL RIGHTS OF DESIGN OR INVENTION ARE RESERVED.
B	5-24-18	(D-7,D-1,B-2) 30" MIN WAS 18" MIN [CT187735]	ADP	
C	19JUN2019	SEE SHEET 4 [PR08238]	AWK	
				THIRD ANGLE PROJECTION 
		APPROVALS	DATE	TITLE
		DRAWN	ADP 9-23-17	<b>DIMENSION PRINT, 14/20KW RCA</b>
		CHECKED	VPP 9-23-17	SCALE 0.16 CAD NO. SHEET 5 of 5
		APPROVED	BJF 9-23-17	DWG NO. <b>ADV-8928</b> <b>D</b>