



Rely® | K-709080-10L

77" H sliding shower door with 3/8"-thick glass

Features

- Frameless design emphasizes glass and creates a sleek, minimalist look
- Vertical handle with inside knob on moving panel
- Tempered glass ensures enhanced safety and durability
- CleanCoat®+ glass coating creates a hydrophobic barrier that repels water, soap scum, and residue, saving time and protecting shower doors 10 times longer than original CleanCoat. (Based on 2021 internal wear/abrasion testing using a microfiber cloth.)
- Smooth, easy-to-clean wall jambs
- SealNetik™ full-length magnetic seal keeps door firmly closed, providing excellent water containment
- Shower door configuration consists of one sliding panel and one stationary panel
- Coordinates with other products in the Rely collection



Available Colors/Finishes

Color tiles intended for reference only.

- SHP Bright Polished Silver
- BL Matte Black
- 2MB Vibrant Brushed Moderne Brass
- BNK Anodized Brushed Nickel



Codes/Standards

ANSI Z97.1 (Tempered Glass)
CAN/CGSB-12.1
CPSC 16CFR 1201

Technical Information

All product dimensions are nominal.

Base-To-Wall Radius - Maximum:	1/2" (13 mm)
Shower Ledge Minimum Flat:	2-1/2" (64 mm)
Shower Wall Minimum Flat:	3-1/2" (89 mm)
Weight:	138.228 lbs (62.7 kg)

Material

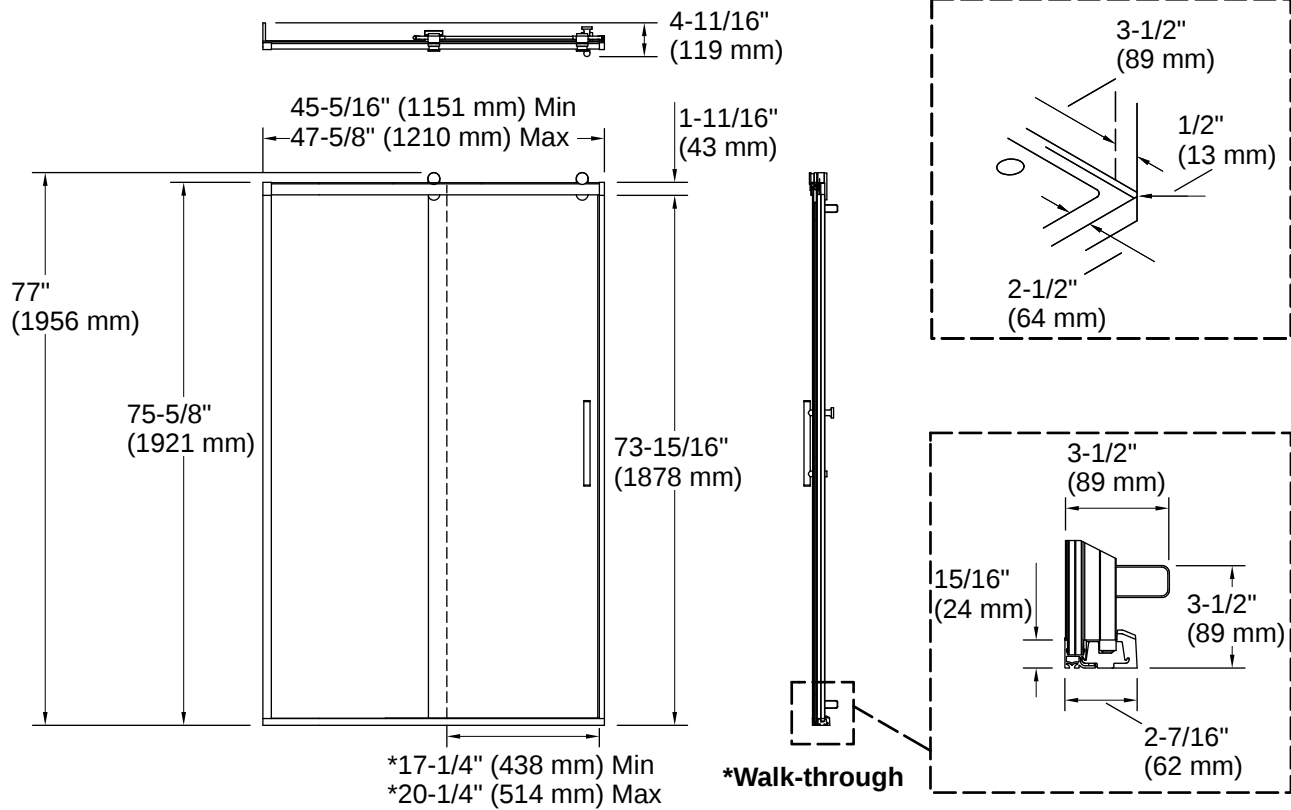
- Frameless, 3/8" (10 mm) thick Crystal Clear tempered glass
 - Anodized aluminum prevents rust and corrosion
-

Warranty

See website for detailed warranty information.

KOHLER® Bath and Shower Doors Ten-Year Limited
Warranty|KOHLER® Bath and Shower Doors Commercial One-Year
Limited Warranty





Installation

- Fits opening widths 44-5/8" – 47-5/8" (1133 – 1210 mm)
- 77" (1956 mm) high, with a lofty 73-7/8" (1876 mm) minimum head clearance
- 3" (76 mm) width adjustment
- Out-of-plumb adjustability simplifies installation
- Door can be installed to open to the left or right to suit your bathroom layout
- For residential and hospitality use

Installation Notes

Install this product according to the installation instructions.

The vertical opening should be a minimum of 78-1/2" (1994 mm) to allow for installation clearance.

