



**Bardon™**

Wall-hung rear-spud touchless urinal, 0.5 gpf  
**K-32590**

**Features**

- Washout urinal
- 1/2" (12.7 mm) rear spud
- 0.5 gpf (1.9 lpf)
- Delivers dependable water-saving performance and added hygiene
- Patented back wall geometry and extended rim limit splash-back for a cleaner user experience
- Battery-operated touchless electronic flush valve powered by four AA alkaline batteries (included)
- Includes tank cover and tank cover locks

**Material**

- Vitreous china

**Installation**

- Wall-hung

**Water Conservation & Rebates**

- This product can help a building earn Water Efficiency points in LEED® Green Building Rating System



<b>ADA</b>	<b>CSA B651</b>	<b>OBC</b>
------------	-----------------	------------

**Codes/Standards**




ASME A112.19.2/CSA B45.1  
 DOE - Energy Policy Act 1992  
 EPA WaterSense®  
 ADA  
 ICC/ANSI A117.1  
 CSA B651  
 OBC

**KOHLER® One-Year Limited Warranty**

See website for detailed warranty information.

**Available Colors/Finishes**

*Color tiles intended for reference only.*

Color	Code	Description
	0	White
	96	Biscuit
	7	Black Black™

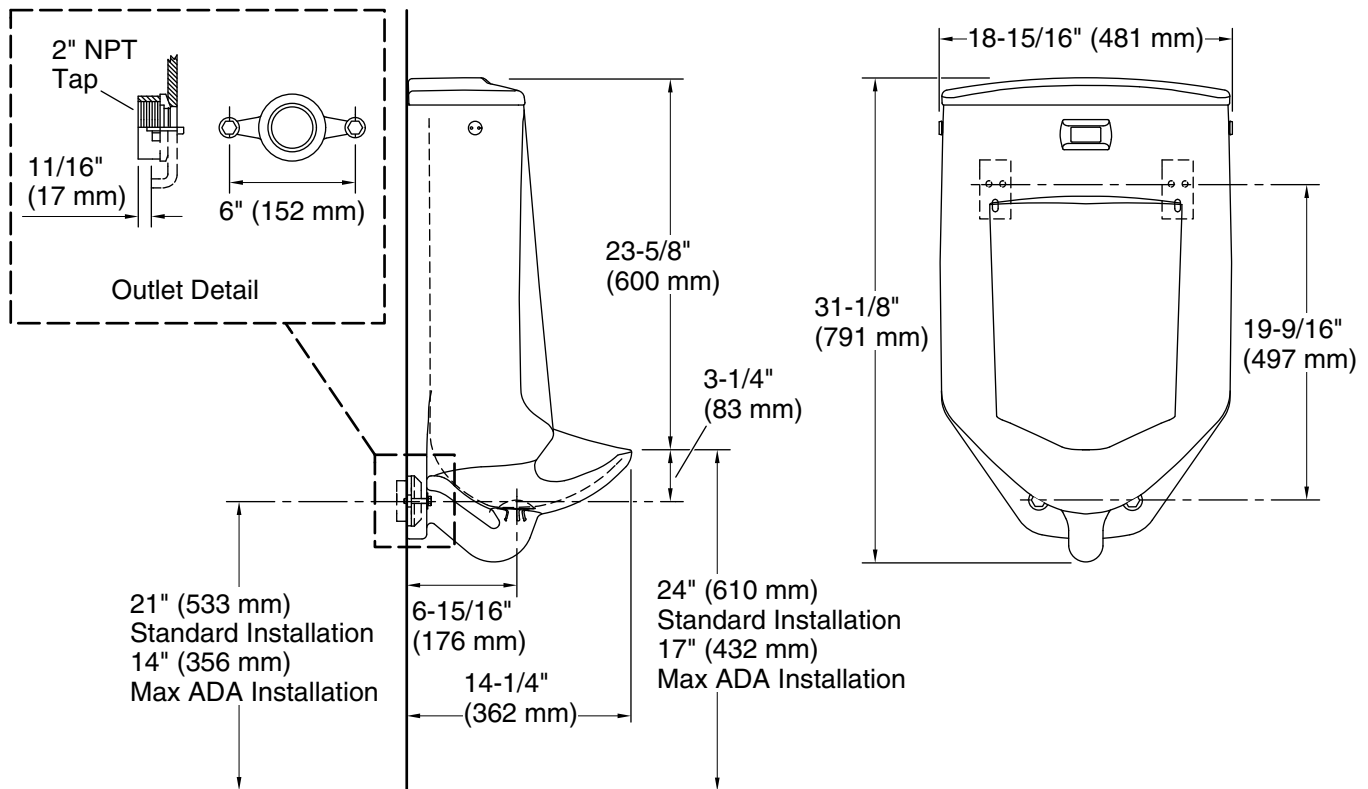
1-800-4KOHLER (1-800-456-4537)

Kohler Co. reserves the right to make revisions without notice to product specifications.

For the most current Specification Sheet, go to [www.kohler.com](http://www.kohler.com).

9-17-2023 22:04 - US

THE BOLD LOOK  
OF **KOHLER**®



### Technical Information

All product dimensions are nominal.  
 Max. Water per Flush: 0.5 gal (1.9 L)

### Notes

Install this product according to the installation guide.  
 Refer to manufacturer's instructions and local codes for flushometer requirements.  
 ADA, OBC, CSA B651 compliant when installed to the specific requirements of these regulations.