

K-26368

Transitional beverage faucet

Features

- Transitional styling
- Integrated air gap offers reverse osmosis (RO) compatibility
- Right-side lever handle
- 9-9/16" (243 mm) spout height
- Faucet spout rotates 360° and offers clearance for filling glasses and pitchers
- 1.5 gpm (5.7 lpm) maximum flow rate at 60 psi (4.14 bar)
- Works with KOHLER® filtration systems or with other select filtration systems as a cold-water tap
- KOHLER® ceramic disc valves exceed industry longevity standards for a lifetime of durable performance



Sustainability



Available Colors/Finishes

Color tiles intended for reference only.

- CP Polished Chrome
- VS Vibrant Stainless
- BL Matte Black
- 2MB Vibrant Brushed Moderne Brass



Codes/Standards

ADA, CSA B651 compliant when installed to the specific requirements of these regulations.

ADA CSA B651

ASME A112.18.1/CSA B125.1
NSF/ANSI/CAN 372
NSF/ANSI/CAN 61
DOE - Energy Policy Act 1992
California Energy Commission (CEC)
ADA
ICC/ANSI A117.1
CSA B651

Technical Information

All product dimensions are nominal.

Handle

Handle Style/ Type: Lever

Spout

Spout Reach: 5-5/8" (143 mm)

Flow Rate

Faucet Flow Rate: 1.5 gpm (5.7 l/min)

Valves

Included Valve: Ceramic disc

Material

- Premium metal construction
 - KOHLER finishes resist corrosion and tarnishing
-

Recommended Products/Accessories

K-23723 Faucet cleaner

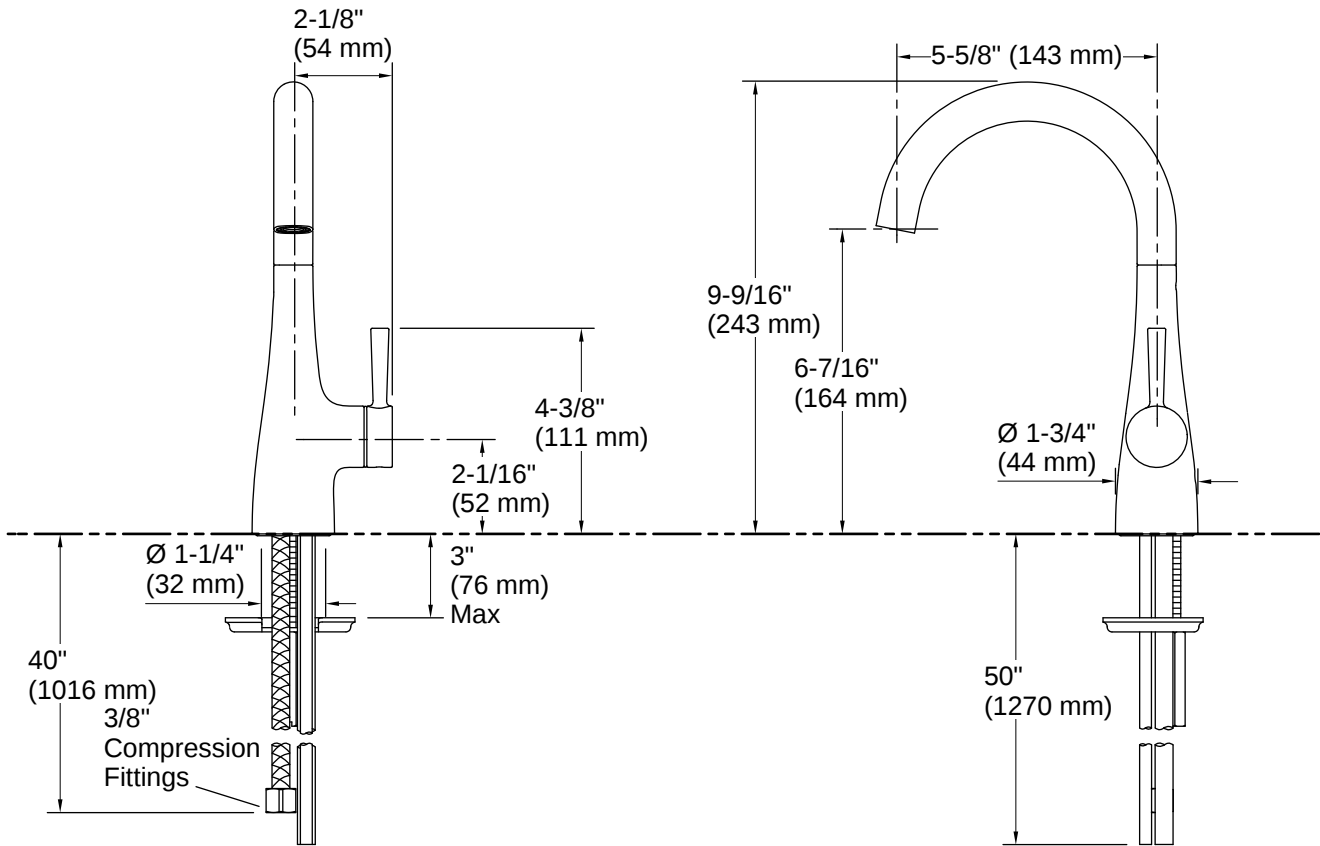
K-22155 Reverse osmosis (RO) water filtration system

Warranty

See website for detailed warranty information.

KOHLER® Faucet Lifetime Limited Warranty





Installation

- Single hole

Installation Notes

Install this product according to the installation instructions.

ADA compliant for faucet handles only

ADA, CSA B651 compliant when installed to the specific requirements of these regulations.

