

Features

- 18" (457 mm) minimum base cabinet width
- Single bowl
- 6" (152 mm) depth
- Single faucet hole
- Optional K-2993 bottom sink rack (sold separately)
- Includes installation hardware

Material

- Premium 18-gauge stainless steel
- KOHLER stainless steel sinks resist corrosion and tarnishing

Installation

- Top-mount or undermount
- Center drain

Recommended Products/Accessories

- K-8801 Sink drain and strainer with tailpiece
- K-8799 Sink drain and strainer basket

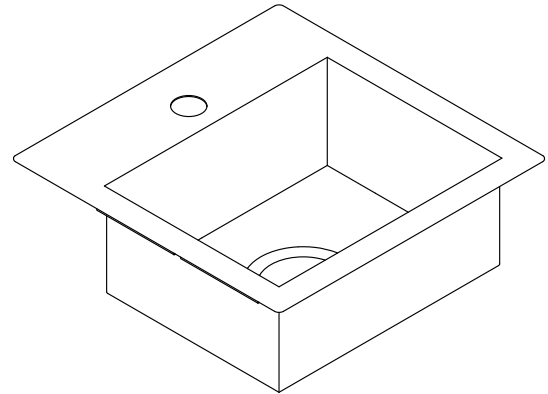
Optional Products/Accessories

- K-2993 Sink Rack

Included Components

Additional Components:

- Cut-out template
- Hardware kit – top-mount



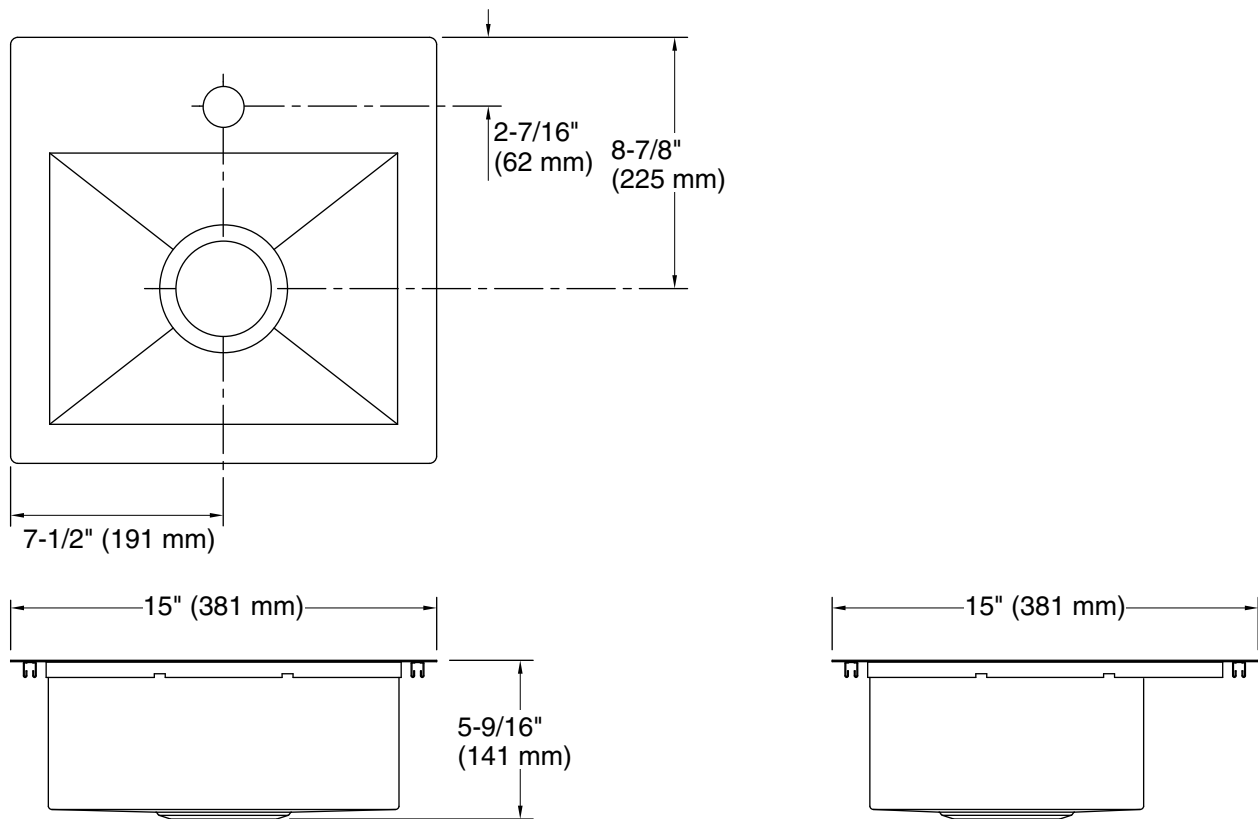
ADA

Codes/Standards

ASME A112.19.3/CSA B45.4
ADA
ICC/ANSI A117.1

KOHLER® Stainless Steel Sinks Lifetime Limited Warranty

See website for detailed warranty information.



Technical Information

All product dimensions are nominal.

Bowl configuration:	Single
Installation:	Top-mount, Undermount
Min. base cabinet width:	18" (457 mm)
Bowl area (Only):	Length: 12-1/4" (311 mm) Width: 9-9/16" (243 mm) Bowl depth: 5-5/16" (135 mm) Water depth: 5-5/16" (135 mm)
Number of deck holes:	1
Faucet hole(s):	1-7/16" (37 mm)
Drain hole:	3-3/4" (94 mm)
Template:	Top-mount/Undermount, 1161548-7, required, included

Notes

Install this product according to the installation instructions.

ADA compliant when installed to the specific requirements of these regulations.