

Tend® | K-20713-ET

Contemporary washout urinal with top spud

Features

- Compact, modern wash-down urinal with no exposed bolt connections
- 0.125 gpf (0.47 lpf)
- Winning design is perfect for contemporary bathrooms
- Smooth contours make cleaning fixture fast and easy
- Back wall design provides superior splash containment
- Extended lip helps keep floor cleaner
- Innovative trapway can be removed and replaced if necessary
- 3/4" (19 mm) top spud



Sustainability



Available Colors/Finishes

Color tiles intended for reference only.

- 0 White
- 96 Biscuit
- 7 Black Black



Codes/Standards

ADA compliant when installed to the specific requirements of these regulations.

This product should be used with a WaterSense labeled counterpart with the same rated flush volume to ensure the complete system meets the requirements of this specification for water efficiency and performance.



ADA

ASME A112.19.2/CSA B45.1
 DOE - Energy Policy Act 1992
 EPA WaterSense®
 California Energy Commission (CEC)
 ADA
 ICC/ANSI A117.1

Technical Information

All product dimensions are nominal.

Spud size: 3/4", Inlet, Top
 Spud size: Outlet, None
 Replaceable Trapway: Yes
 Trapway Type: Concealed
 Flush Rate: 0.125 gpf (0.5 lpf)

Designed for the above water use when installed with a water-saving flushometer.

Material

- Vitreous china

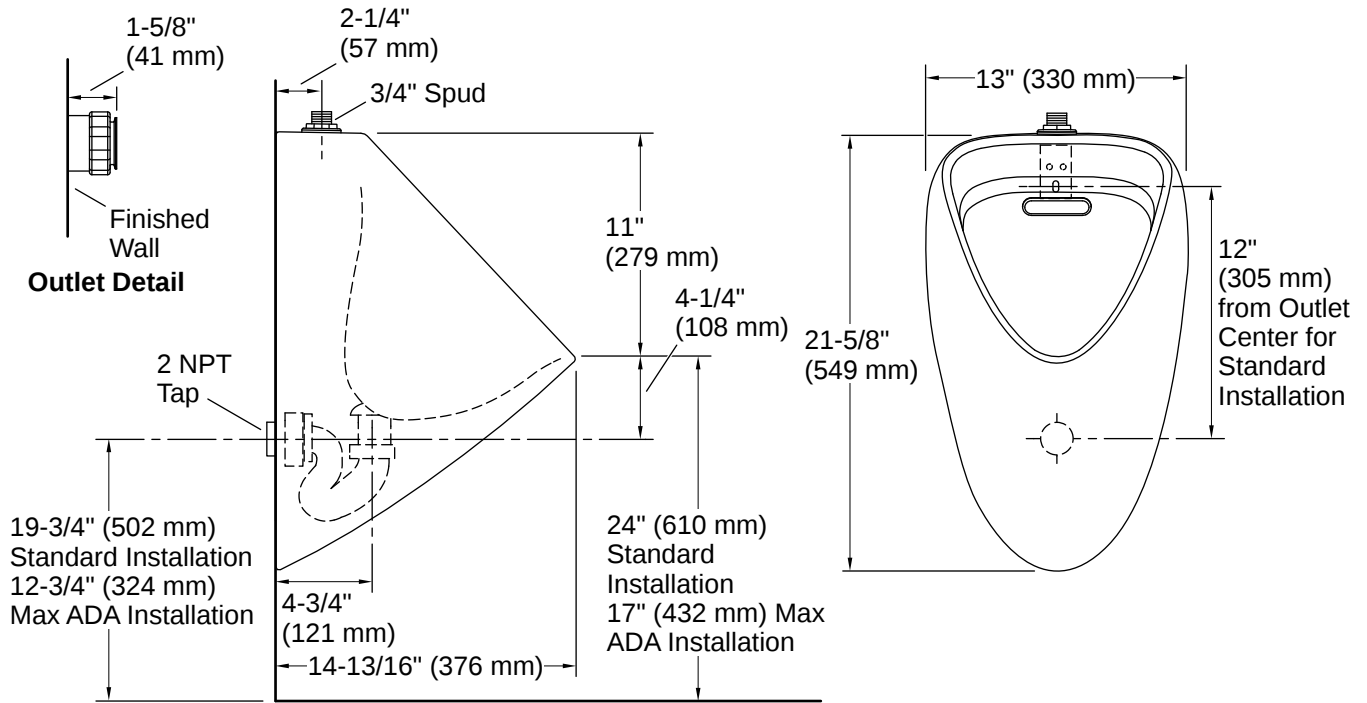
Warranty

See website for detailed warranty information.

KOHLER® One-Year Limited Warranty



Note: Customer Connection Pipe must have 2" NPT External Thread.



Installation

- Trapway secures urinal to wall, eliminating bolts for a faster installation

Installation Notes

Install this product according to the installation instructions.

Product dimensions are nominal and may vary per ASME A112.19.2 tolerances.

This product should be used with a WaterSense labeled counterpart with the same rated flush volume to ensure the complete system meets the requirements of this specification for water efficiency and performance.

ADA compliant when installed to the specific requirements of these regulations.

