

Occasion® | K-T27013-3

Wall-mount bathroom sink faucet Cross handle trim, 1.2 gpm

Features

- Two cross handles offer separate control of hot and cold water
- Part of the Occasion bathroom faucet and accessory collection
- Requires valve (sold separately) for installation



Sustainability



Available Colors/Finishes

Color tiles intended for reference only.

- CP Polished Chrome
- SN Vibrant Polished Nickel
- AF Vibrant French Gold
- BN Vibrant Brushed Nickel
- BV Vibrant Brushed Bronze
- BL Matte Black
- 2MB Vibrant Brushed Moderne Brass
- BMB Matte Black with Brushed Moderne Brass



Codes/Standards

ADA, OBC, CSA B651 compliant when installed to the specific requirements of these regulations.

[ADA](#) [CSA B651](#) [OBC](#)

ASME A112.18.1/CSA B125.1

ADA

ICC/ANSI A117.1

CSA B651

OBC

Technical Information

All product dimensions are nominal.

Handle

Handle Style/ Type: Cross

Spout

Drain With Overflow: No

Flow Rate

Faucet Flow Rate: 1.2 gpm (4.5 l/min)

Material

- Premium metal construction for durability and reliability
-

Recommended Products/Accessories

K-23726 Drain treatment

K-23723 Faucet cleaner

K-27060 18" towel bar

K-27061 24" towel bar

K-27063 Towel ring

K-27064 Vertical toilet paper holder

K-27065 Pivoting toilet paper holder

K-27069 Robe hook

K-27128 Toilet paper holder with tray

K-27062 24" double towel bar

Warranty

See website for detailed warranty information.

KOHLER® Faucet Lifetime Limited Warranty

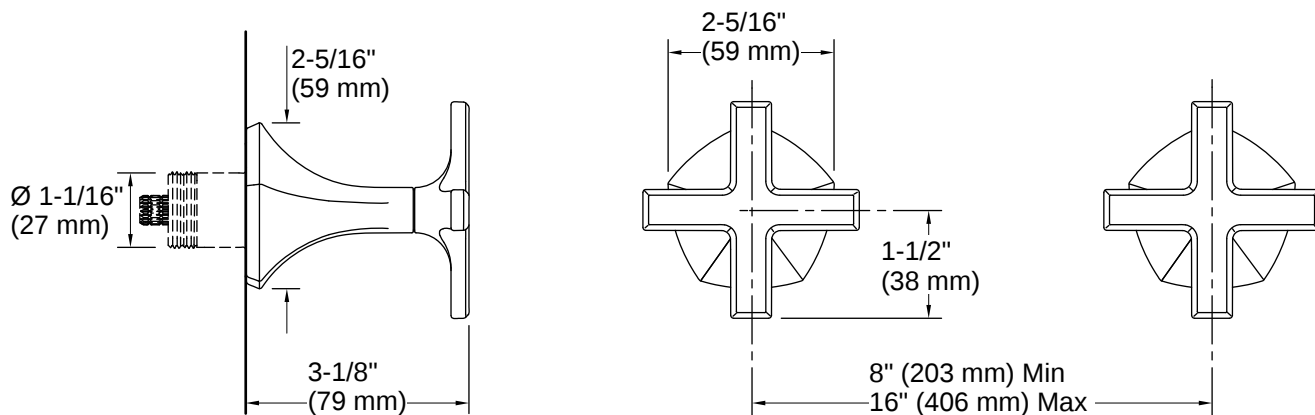


1-800-4KOHLER (1-800-456-4537)

Kohler Co. reserves the right to make revisions without notice to product specifications.

For the most current specification sheet, go to www.kohler.com USA or www.kohler.ca Canada.

4-14-2026 4:12 - US-CA



Installation

- Wall-mount
- Requires rough-in kit (sold separately)

Installation Notes

Install this product according to the installation instructions.

ADA, OBC, CSA B651 compliant when installed to the specific requirements of these regulations.

