

### Features

- Set includes: Cabinet, precut Silestone® quartz vanity top, sinks, cabinet legs, cabinet hardware, mounting hardware for sinks.
- Vanity top has single faucet hole with pilot holes for optional 8" (203 mm) widespread faucet configuration at each sink location.
- Three-way adjustable slow-close door hinges with 110° opening capability for easy cabinet access.
- Full-extension 18" (457 mm) depth drawers with soft-close undermount slides for smooth opening.
- Solid wood drawers with dovetail joint construction.
- Vanity top is covered under the Silestone® 25-Year Limited Warranty.
- Silestone® quartz provides exceptional durability and stain resistance, making it easy to maintain.
- Caxton® Rectangle undermount sink has a streamlined design that is easy to clean.
- Customize your storage with optional in-door and in-drawer accessories and medicine cabinet surrounds and side kits (sold separately).
- Optional vanity top side and backsplashes available (sold separately).

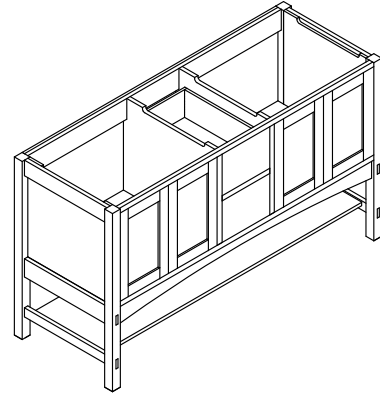
### Material

- Solid wood and veneer vanity.
- Silestone® quartz vanity top.
- Vitreous china sink.
- Premium metal hardware for durability and reliability.

### Included Components

Product consists of:

28255  
EC20000 (Qty 2)  
99687 (Qty 6)  
99559



### Codes/Standards

EPA TSCA Title VI  
CARB P2

### KOHLER® One-Year Limited Warranty

See website for detailed warranty information.

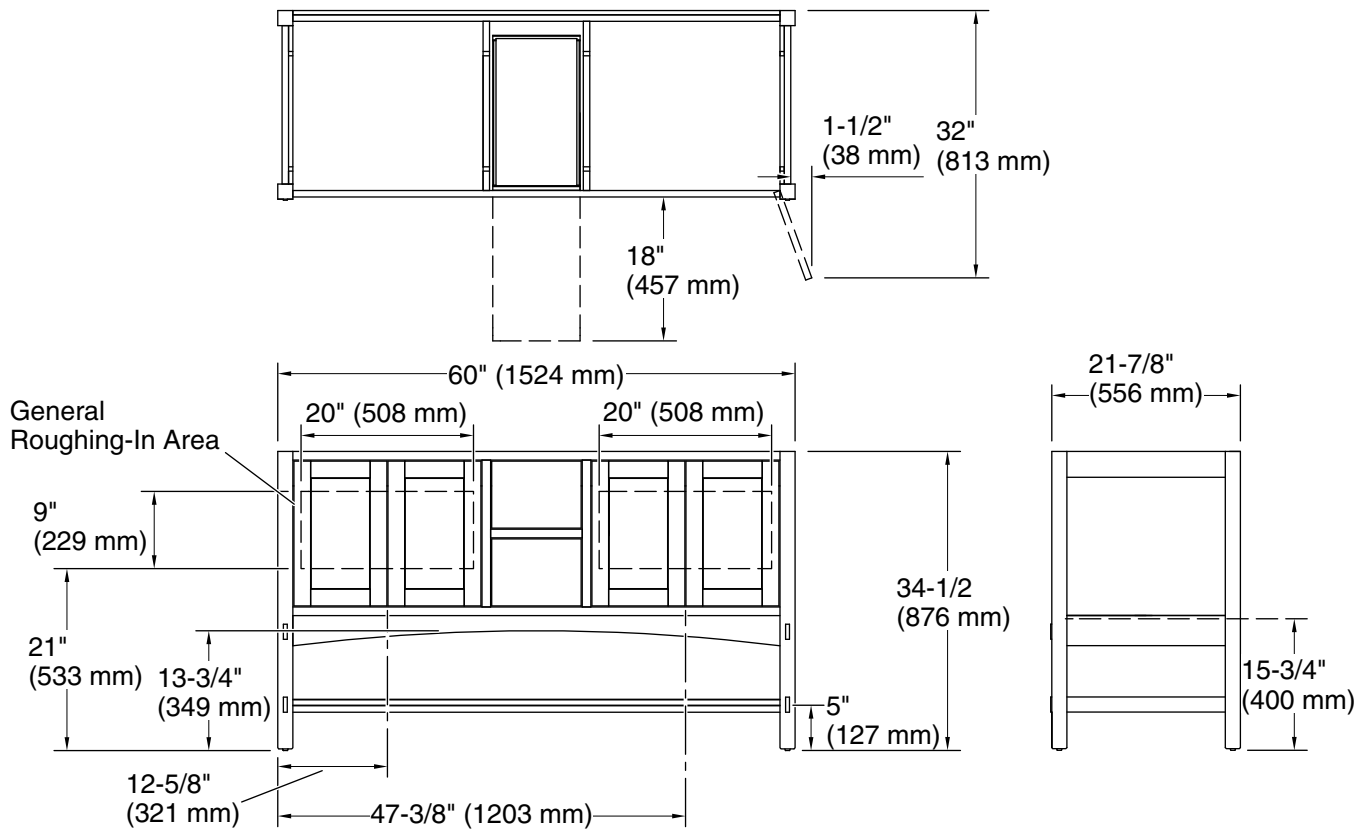
### Available Colors/Finishes

*Color tiles intended for reference only.*

Color	Code	Description
-------	------	-------------

	1WA	
--	-----	--

	1WG	
--	-----	--



## Technical Information

All product dimensions are nominal.