

## Features

- Set includes: Cabinet, precut Silestone® quartz vanity top, sink, cabinet hardware, mounting hardware for sink.
- Vanity top has single faucet hole with pilot holes for optional 8" (203 mm) widespread faucet configuration.
- Full-extension 18" (457 mm) depth drawer with soft-close undermount slides for smooth opening.
- Solid wood drawer with dovetail joint construction.
- Vanity top is covered under the Silestone® 25-Year Limited Warranty.
- Silestone® quartz provides exceptional durability and stain resistance, making it easy to maintain.
- Caxton® Rectangle undermount sink has a streamlined design that is easy to clean.
- Customize your storage with optional in-drawer accessories, medicine cabinet surrounds and side kits (sold separately).
- Optional vanity top side and backsplashes available (sold separately).

## Material

- Solid wood and veneer vanity.
- Silestone® quartz vanity top.
- Vitreous china sink.
- Premium metal hardware for durability and reliability.

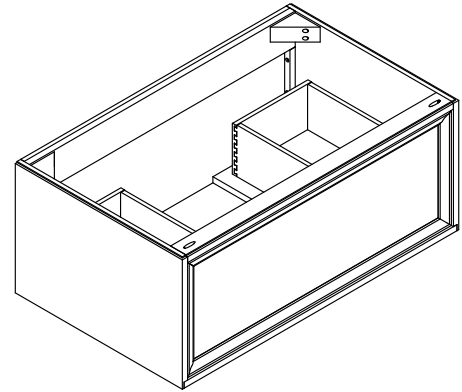
## Installation

- Wall-hung.

## Included Components

Product consists of:

28250  
EC20000  
27939  
33566



## Codes/Standards

EPA TSCA Title VI  
CARB P2

## KOHLER® One-Year Limited Warranty

See website for detailed warranty information.

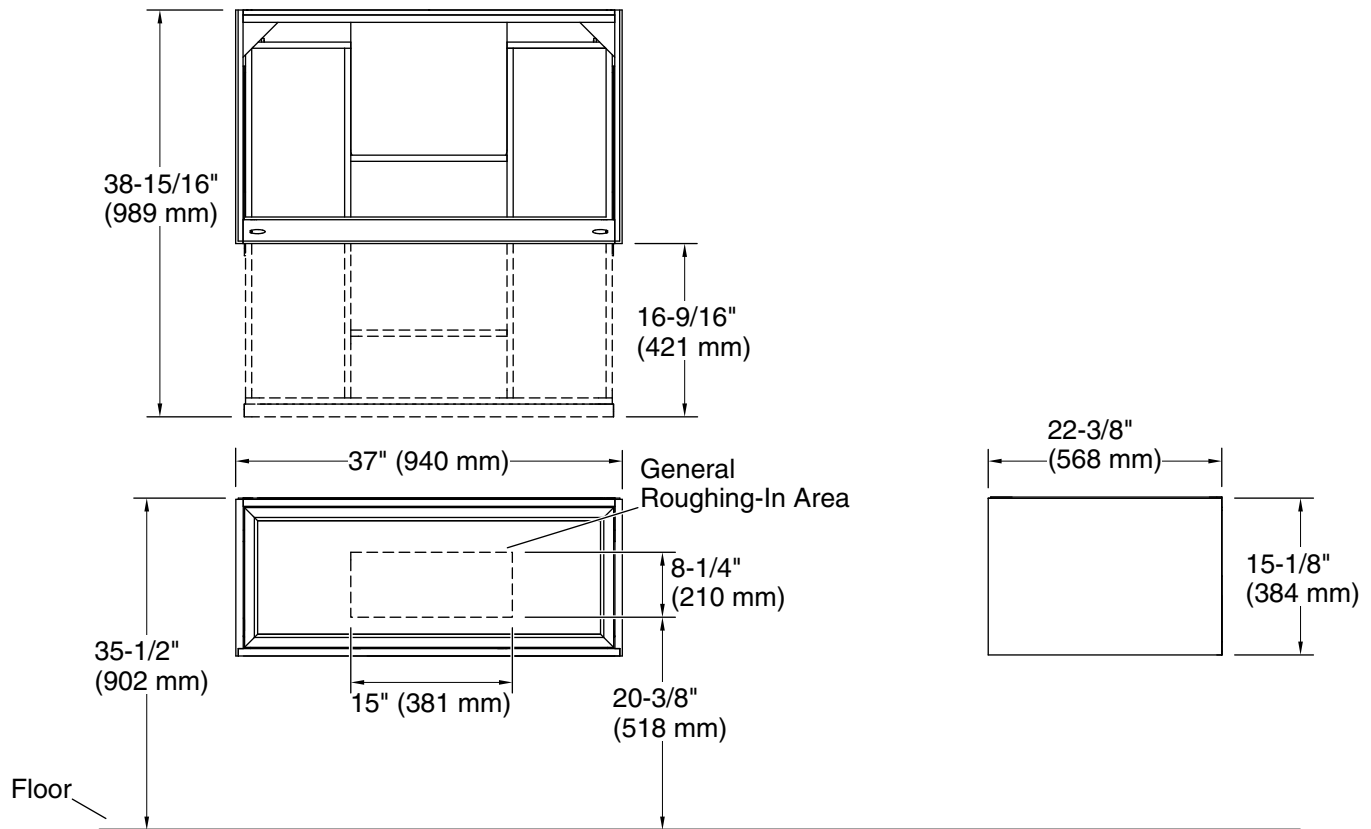
## Available Colors/Finishes

*Color tiles intended for reference only.*

Color	Code	Description
-------	------	-------------

	1WA	
--	-----	--

	1WX	
--	-----	--



### Technical Information

All product dimensions are nominal.

### Notes

Install this product according to the installation instructions.