

Occasion® | K-27031-9

Two-way exposed thermostatic valve and shower column kt

Features

- Modern, simplistic exposed thermostatic column serves as a hub for shower controls
- Mechanically controlled thermostatic mixing valve maintains outlet temperature throughout shower experience
- Exposed thermostatic valve provides on/off operation, outlet selection, and precise control of water volume and intensity
- Requires showerhead or rainhead, handshower, and hose (each sold separately)



Available Colors/Finishes

Color tiles intended for reference only.

- AF Vibrant French Gold
- BN Vibrant Brushed Nickel
- BV Vibrant Brushed Bronze
- TT Vibrant Titanium



Codes/Standards

ASME A112.18.1/CSA B125.1
ASSE 1016/ASME A112.1016/CSA B125.16

Technical Information

All product dimensions are nominal.

Handle

Handle Style/ Type: Lever

Valves

Included Valves: Thermostatic, Volume Control

Shower Valve

Flow Rate Maximum @ 45 psi: 5 gpm (18.9 l/min)

Manufacturer's Minimum 1.3 gpm (4.9 l/min)

Rated Flow:

Pressure: 45 psi (3.1 bar)

Maximum Static Pressure: 125 psi (8.6 bar)

Minimum Operating Pressure: 20 psi (1.4 bar)

Material

- Premium material construction for durability and reliability
 - KOHLER finishes resist corrosion and tarnishing
-

Recommended Products/Accessories

K-27050 Single-function showerhead, 2.5 gpm

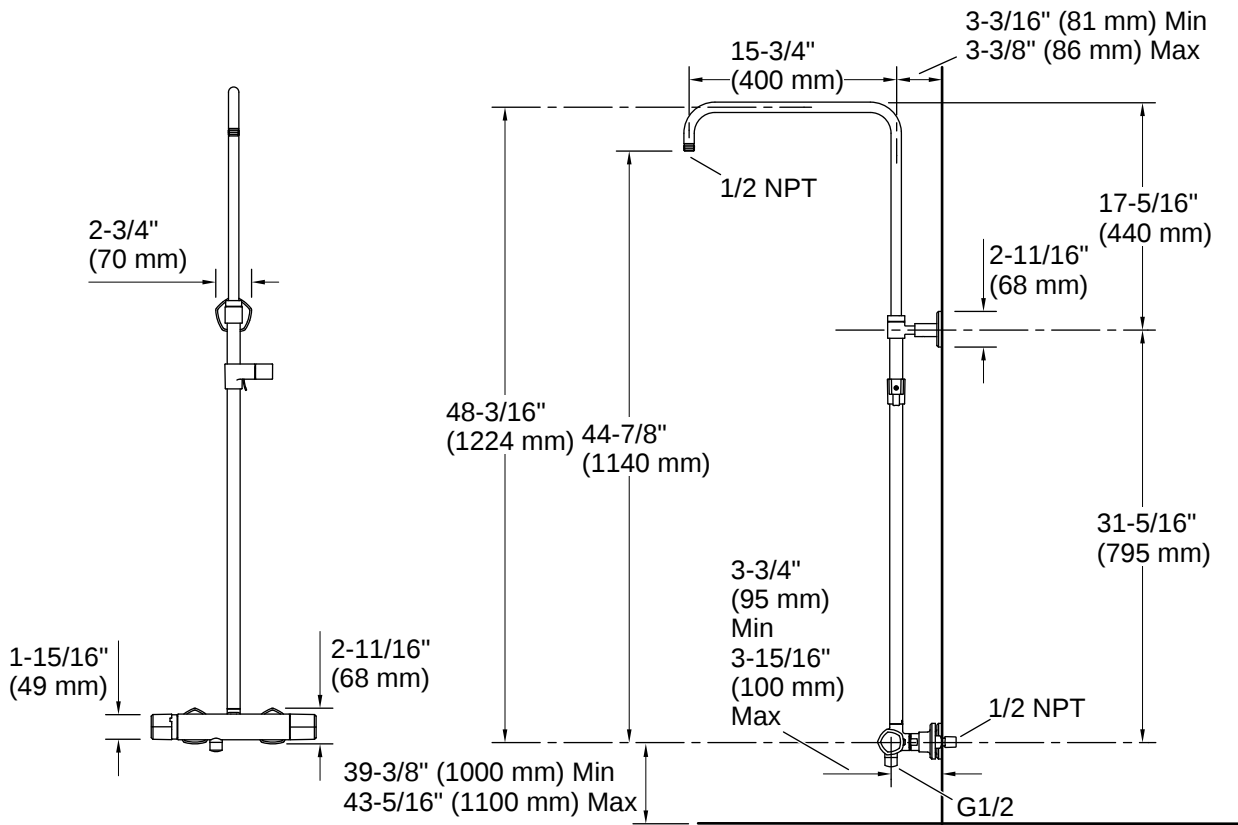
K-27050-G Single-function showerhead, 1.75 gpm

Warranty

See website for detailed warranty information.

KOHLER® Faucet Lifetime Limited Warranty





Installation

- 1/2" -14 NPT connection

Installation Notes

Install this product according to the installation instructions.

