

Features

- Clean, crisp lines blend into soft angles to create a uniquely sophisticated bath that works with any decor.
- Integral lumbar support.
- Safeguard® slip-resistant surface on bath floor provides additional traction underfoot.
- Integral apron creates a clean, finished look.
- Integral flange helps prevent water from seeping behind wall and simplifies alcove installation.

Material

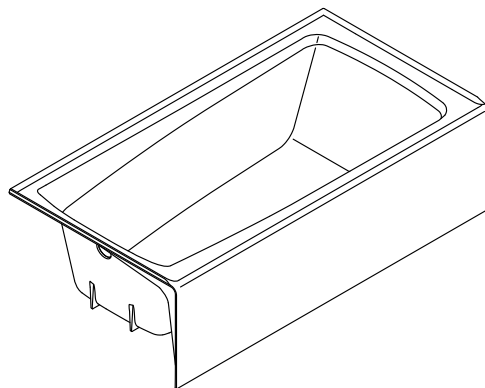
- KOHLER® enameled cast iron.

Installation

- Alcove.
- Left drain.

Recommended Products/Accessories

- K-7213 27" Cable Bath Drain
- K-7259 Brass toe tap bath drain



ADA

Codes/Standards

ASME A112.19.1/CSA B45.2
ASTM F462
ADA
ICC/ANSI A117.1

KOHLER® Enameled Cast Iron Bath and Shower Base Lifetime Limited Warranty

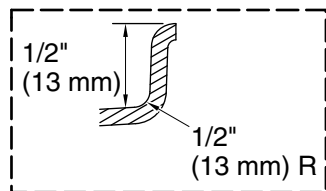
See website for detailed warranty information.

Available Colors/Finishes

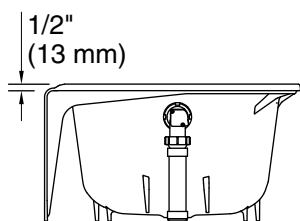
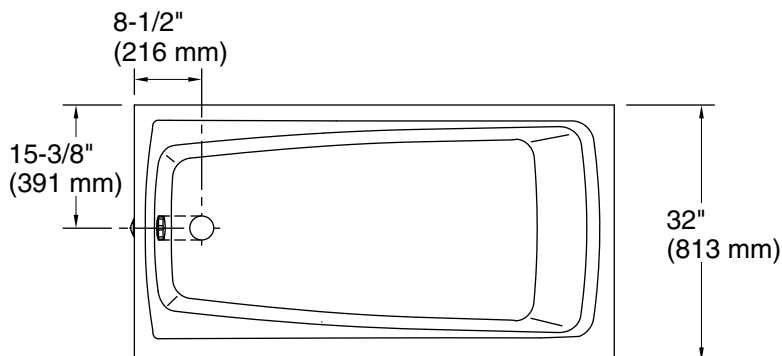
Color tiles intended for reference only.

Color	Code	Description
	0	
	96	
	NY	
	95	
	58	
	7	

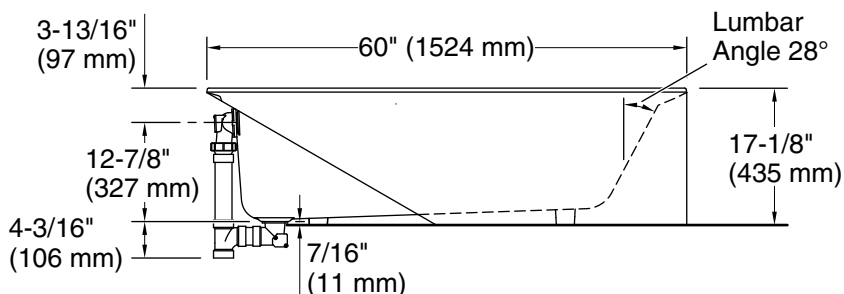
No change in measurements if connected with drain illustrated. (K-7213)



Integral Flange Detail



1-1/2" Bath Drain



Technical Information

All product dimensions are nominal.

Installation:	Three-wall alcove
Drain location:	Left
Basin area, bottom:	45-3/4" x 22-1/2" (1162 mm x 572 mm)
Weight:	322 lbs (146.1 kg)
Minimum floor load:	57.8 lbs/ft ² (282.2 kg/m ²)
Water depth:	10-15/16" (278 mm)
Water capacity:	45 gal (170.3 L)
Minimum flat for door:	1-1/2" (38 mm)

Notes

Measure your actual product for rough-in details.

Install this product according to the installation instructions.

The hot water supply should be 70% of the capacity of the bath or greater. Installations will vary.

ADA compliant when installed to the specific requirements of these regulations.